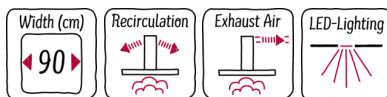


N 50, wall-mounted cooker hood, 90 cm, Stainless steel
D94QFM1NOB



A



Our classic design hood with a modern twist - experience the slim pyramid hood.

- ✓ LED lighting: a clear illumination whilst cooking thanks to the energy-saving LED lights
- ✓ TouchControl: thanks to the integrated flat surface of the control panel, adjustments can be easily made with just one finger
- ✓ Intensive speed setting: increases the extraction rate when the steam gets intense
- ✓ CleanAir Recirculation Filter (separate accessory): nothing but clean air thanks to the premium recirculation filter with high odour reduction (ca. 95%). Regenerative filter also available.
- ✓ High extraction rate: Ensures a clear view while cooking thanks to efficient motor technology as either a ducted or recirculating solution.

Features

Technical Data

Color chimney : Stainless steel
 Typology : Chimney
 Approval certificates : CE, VDE
 Length electrical supply cord (cm) : 130
 Height of the chimney (mm) : 582-912/582-1022
 Height of product, without chimney (mm) : 94
 Minimum distance above an electric hob : 550
 Minimum distance above a gas hob : 650
 Net weight (kg) : 11.980
 Type of control : Electronic
 Maximum output air extraction (m³/h) : 389
 Boost position output recirculating (m³/h) : 372
 Maximum output recirculating air (m³/h) : 308
 Boost position air extraction (m³/h) : 642
 Number of lights : 2
 Noise level (dB(A) re 1 pW) : 61
 Diameter of air outlet (mm) : 150 / 120
 Grease filter material : Washable aluminium
 EAN code : 4242004224211
 Connection Rating (W) : 220
 Current (A) : 10
 Voltage (V) : 220-240
 Frequency (Hz) : 50; 60
 Plug type : GB plug
 Installation typology : Wall-mounted

Optional accessories

Z50XP0X0	CleanAir act.carbon filter regenerative
Z5170X1	CleanAir active carbon filter spare part
Z51DXA0X0	Active carbon filter
Z51DXU0X0	Recirculating kit
Z51FXI0X0	Integrated CleanAir Recirculation Kit
Z51FXJ0X0	Integrated CleanAir Recirculation Kit
Z5270X0	CleanAir Recirculation Kit
Z5895N0	Stainless steel back panel
Z5905N0	Chimney extension 1000 mm
Z5915N0	Chimney extension 1500 mm



N 50, wall-mounted cooker hood, 90 cm, Stainless steel
D94QFM1NOB

Features

Key performance features:

- Energy Efficiency Class: A (at a range of energy efficiency classes from A++ to E)*
- Extraction rate according to EN 61591 ø 15 cm:
max. Normal use 389 m³/h
Intensive 642 m³/h
- Noise max. Normal Level: 61 dB*

Features

- Touch control
- LED display
- 3 speeds plus intensive
- 2 x 1.5w LED Light
- Colour Temperature: 3500 K
- Automatic intensive revert (6mins)
- 3 metal grease filter cassettes
- For wall mounted installation

Design

- Stainless steel
- Slim pyramid
- Chimney hood
- Touch control
- Electronic controls

Performance/technical information

- Suitable for ducted extraction and recirculation
- For recirculated extraction recirculating kit or CleanAir recirculating kit (accessory) needed
- Extraction rate according to EN 61591 ø 15 cm:
max. Normal use 389 m³/h
Intensive 642 m³/h
- Max. extraction rate: 642 m³/h
- Extraction rate in recirculation mode:
Max. normal use: 308 m³/h
Intensive: 372 m³/h
- Noise level according to EN 60704-3 and EN 60704-2-13 at max. normal use exhaust air: 61 dB(A) re 1 pW (48 dB(A) re 20 µPa sound pressure)
- Noise level according to EN 60704-3 and EN 60704-2-13 exhaust air:
Max. normal use: 61 dB(A) re 1 pW (48 dB(A) re 20 µPa sound pressure)
Intensive: 70 dB(A) re 1 pW (57 dB(A) re 20 µPa sound pressure)
- Noise level according to EN 60704-3 and EN 60704-2-13 at maximum normal setting: extraction rate: 61 dB (A) re 1pW
- Noise max. Normal Level: 61 dB*
- Noise levels in recirculation mode:
Max. normal use: 71 dB(A) re 1 pW (58 dB(A) re 20 µPa sound pressure)
Intensive: 75 dB(A) re 1 pW (62 dB(A) re 20 µPa sound pressure)
-
- Light Intensity: 214 lux
- Colour Temperature: 3500 K
- Electrical cable length 1.3 m
- Diameter pipe Ø 150 mm (Ø 120 mm enclosed)
- Dimensions exhaust air (HxWxD): 676-1006 x 900 x 500 mm
- Dimensions recirculating (HxWxD): 676-1116 x 900 x 500 mm
- Dimensions recirculating with CleanAir module (HxWxD):
744 x 900 x 500 mm - mounting with outer chimney
874-1204 x 900 x 500 mm - mounting with telescopic chimney
- Energy Efficiency Class: A (at a range of energy efficiency classes from A++ to E)*
- Blower Efficiency Class: A*
- Lighting Efficiency Class: A*
- Grease Filtering Efficiency Class: C*
- Average Energy Consumption: 42.4 kWh/year*

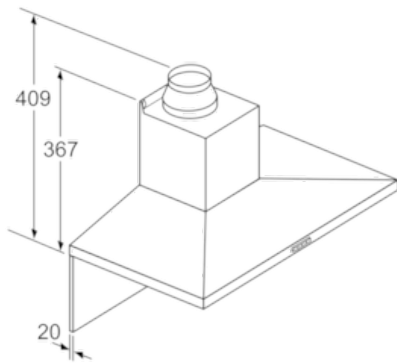
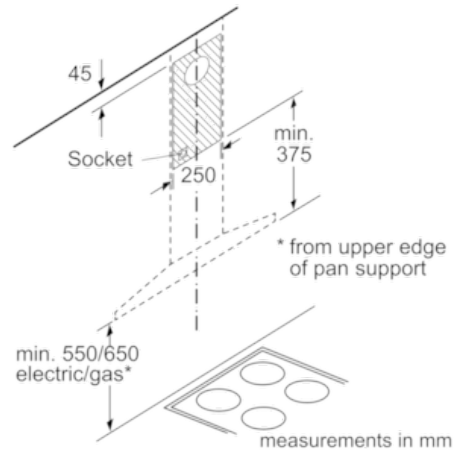
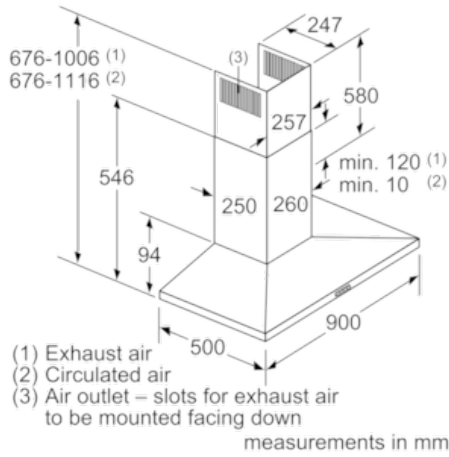
Optional accessories

- Recirculating kit Z5270X0

* In accordance with the EU-Regulation No 65/2014

N 50, wall-mounted cooker hood, 90 cm, Stainless steel
D94QFM1NOB

Dimensioned drawings



If a back panel is used, the design of the appliance must be considered.

measurements in mm

