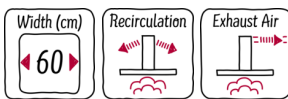


N 30, integrated cooker hood, 60 cm, silver  
D64MAC1X0B



B



The Integrated Cooker Hood with a fold out unit is discreetly hidden within the upper cabinets.

- ✓ High extraction rate - for continuously clean air in the kitchen.
- ✓ LED lighting: a clear illumination whilst cooking thanks to the energy-saving LED lights

#### Features

##### Technical Data

Typology : Pull-out  
 Approval certificates : CE  
 Length electrical supply cord (cm) : 150  
 Minimum distance above an electric hob : 500  
 Minimum distance above a gas hob : 650  
 Net weight (kg) : 10.530  
 Type of control : mechanical  
 Number of speed settings : 3  
 Maximum output air extraction (m<sup>3</sup>/h) : 625  
 Maximum output recirculating air (m<sup>3</sup>/h) : 416  
 Number of lights : 2  
 Noise level (dB(A) re 1 pW) : 70  
 Diameter of air outlet (mm) : 120 / 150  
 Grease filter material : Washable aluminium  
 EAN code : 4242004223375  
 Connection Rating (W) : 256  
 Current (A) : 10  
 Voltage (V) : 220-240  
 Frequency (Hz) : 60; 50  
 Plug type : GB plug  
 Installation typology : Wall-mounted

#### Optional accessories

Z511MA0X0 Active carbon filter



4 242004 223375

# N 30, integrated cooker hood, 60 cm, silver

## D64MAC1X0B

### Features

#### Key performance features:

- Energy Efficiency Class: B (at a range of energy efficiency classes from A++ to E)\*
- Extraction rate according to EN 61591 max. 625 m<sup>3</sup>/h
- Noise max. Normal Level: 70 dB\*

#### Features

- Push button control operation
- 3 power levels
- 2 x 3W LED
- Colour Temperature: 2700 K
- 2 metal grease filter cassettes
- For installation between cupboards

#### Design

- silver
- Integrated hood
- Hinged door
- Push button control operation
- Mechanical controls

#### Performance/technical information

- Suitable for ducted extraction and recirculation
- For recirculated extraction charcoal filter (accessory) needed
- Extraction rate according to EN 61591 max. 625 m<sup>3</sup>/h
- Noise max. Normal Level: 70 dB\*
- Noise level according to EN 60704-3 and EN 60704-2-13 at max. normal use exhaust air: 70 dB(A) re 1 pW (56 dB(A) re 20 µPa sound pressure)
- 
- Light Intensity: 188 lux
- Colour Temperature: 2700 K
- Electrical cable length 1.5 m
- Diameter pipe Ø 150 mm (Ø 120 mm enclosed)
- Dimensions exhaust air (HxWxD): 402-402 x 599 x 271 mm
- Dimensions recirculating (HxWxD): 402-402 x 599 x 271 mm
- Energy Efficiency Class: B (at a range of energy efficiency classes from A++ to E)\*
- Blower Efficiency Class: B\*
- Lighting Efficiency Class: A\*
- Grease Filtering Efficiency Class: C\*
- Average Energy Consumption: 68.4 kWh/year\*

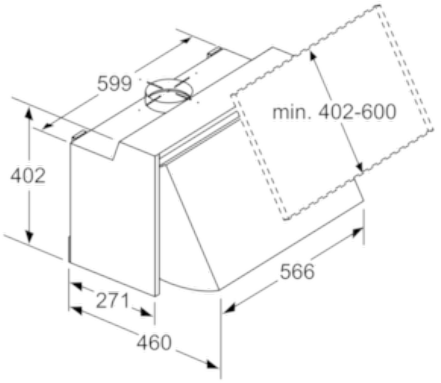
#### Optional accessories

- Recirculating kit

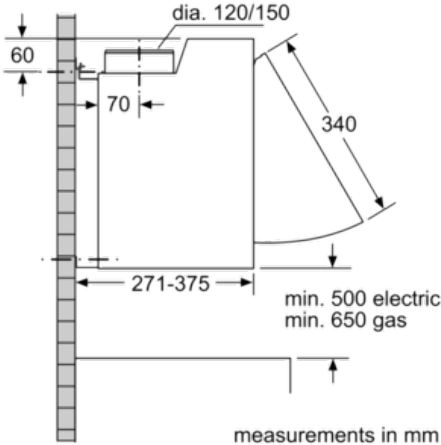
\* In accordance with the EU-Regulation No 65/2014

N 30, integrated cooker hood, 60 cm, silver  
D64MAC1X0B

Dimensioned drawings



measurements in mm



measurements in mm