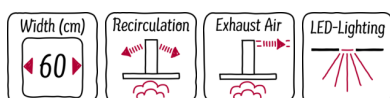


N 30, wall-mounted cooker hood, 60 cm, clear glass
D64GBCON0B



A



The flat glass canopy hood accentuates the box hood design with a mix of modern materials and straight lines.

- ✓ LED lighting: a clear illumination whilst cooking thanks to the energy-saving LED lights
- ✓ CleanAir Recirculation Filter (separate accessory): nothing but clean air thanks to the premium recirculation filter with high odour reduction (ca. 95%). Regenerative filter also available.
- ✓ High extraction rate: Ensures a clear view while cooking thanks to efficient motor technology as either a ducted or recirculating solution.

Features

Technical Data

Color chimney : Stainless steel
 Typology : Chimney
 Approval certificates : CE, VDE
 Length electrical supply cord (cm) : 130
 Height of the chimney (mm) : 576-906/576-998
 Height of product, without chimney (mm) : 59
 Minimum distance above an electric hob : 550
 Minimum distance above a gas hob : 650
 Net weight (kg) : 13.475
 Type of control : mechanical
 Number of speed settings : 3
 Maximum output air extraction (m³/h) : 650
 Maximum output recirculating air (m³/h) : 365
 Number of lights : 2
 Noise level (dB(A) re 1 pW) : 70
 Diameter of air outlet (mm) : 120 / 150
 Grease filter material : Washable aluminium
 EAN code : 4242004224051
 Connection Rating (W) : 220
 Current (A) : 10
 Voltage (V) : 220-240
 Frequency (Hz) : 50; 60
 Plug type : GB plug
 Installation typology : Wall-mounted

Optional accessories

Z50XP0X0	CleanAir act.carbon filter regenerative
Z5170X1	CleanAir active carbon filter spare part
Z51DXA0X0	Active carbon filter
Z51DXU0X0	Recirculating kit
Z51FXI0X0	Integrated CleanAir Recirculation Kit
Z51FXJ0X0	Integrated CleanAir Recirculation Kit
Z5270X0	CleanAir Recirculation Kit
Z5865N0	Stainless steel back panel
Z5905N0	Chimney extension 1000 mm
Z5915N0	Chimney extension 1500 mm



4 242004 224051

N 30, wall-mounted cooker hood, 60 cm, clear
glass
D64GBCONOB

Features

Key performance features:

- Energy Efficiency Class: A (at a range of energy efficiency classes from A++ to E)*
- Max. extraction rate: 649 m³/h
- Noise max. Normal Level: 70 dB*

Features

- Push button control operation
- 3 power levels
- 2 x 1.5w LED Light
- Colour Temperature: 3500 K
- 1 metal grease filter cassette
- For wall mounted installation

Design

- Stainless steel Glass
- Glass design
- Chimney hood
- Push button control operation
- Mechanical controls

Performance/technical information

- Suitable for ducted extraction and recirculation
- For recirculated extraction recirculating kit or CleanAir recirculating kit (accessory) needed
- Max. extraction rate: 649 m³/h
- Maximum extraction rate exhaust air 649 m³/h according to EN 61591
- Extraction rate in recirculation mode:
Max. normal use: 365 m³/h
- Noise max. Normal Level: 70 dB*
- Noise level according to EN 60704-3 and EN 60704-2-13 at max. normal use exhaust air: 70 dB(A) re 1 pW (57 dB(A) re 20 µPa sound pressure)
- Noise level in recirculation mode:
Max. normal use: 75 dB(A) re 1 pW (62 dB(A) re 20 µPa sound pressure)
-
- Light Intensity: 110 lux
- Colour Temperature: 3500 K
- Electrical cable length 1.3 m
- Diameter pipe Ø 150 mm (Ø 120 mm enclosed)
- Dimensions exhaust air (HxWxD): 635-965 x 600 x 525 mm
- Dimensions recirculating (HxWxD): 635-1075 x 600 x 525 mm
- Dimensions recirculating with CleanAir module (HxWxD):
703 x 600 x 525 mm - mounting with outer chimney
833-1163 x 600 x 525 mm - mounting with telescopic chimney
- Energy Efficiency Class: A (at a range of energy efficiency classes from A++ to E)*
- Blower Efficiency Class: A*
- Lighting Efficiency Class: A*
- Grease Filtering Efficiency Class: B*
- Average Energy Consumption: 42.4 kWh/year*

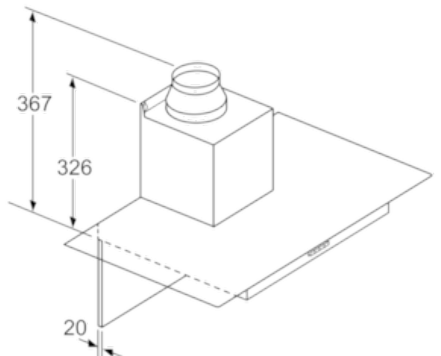
Optional accessories

- Recirculating kit Z5270X0

* In accordance with the EU-Regulation No 65/2014

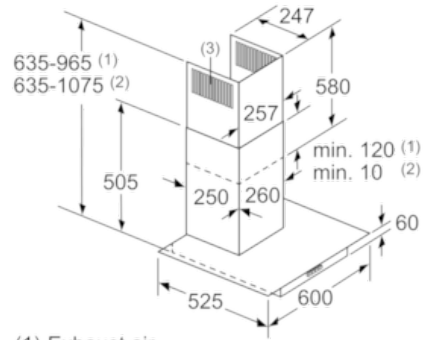
N 30, wall-mounted cooker hood, 60 cm, clear glass
 D64GBCONOB

Dimensioned drawings



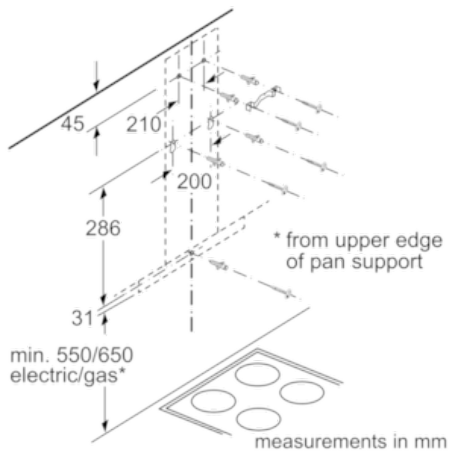
If a back panel is used, the design of the appliance must be considered.

measurements in mm

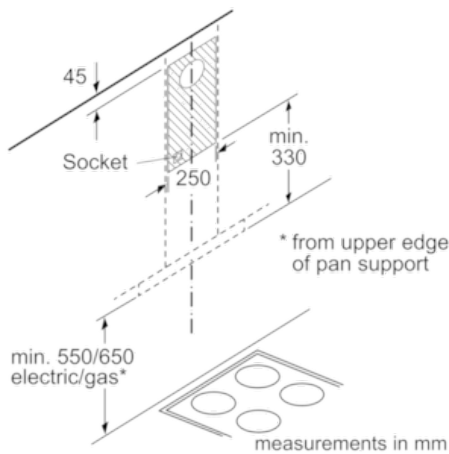


- (1) Exhaust air
- (2) Circulated air
- (3) Air outlet – slots for exhaust air to be mounted facing down

measurements in mm



measurements in mm



measurements in mm