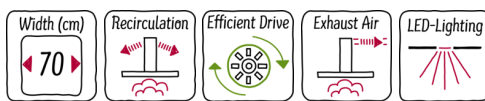


N 90, canopy cooker hood, 70 cm, clear glass black printed
D57ML67N1B



A++



Optional accessories

| | |
|-----------|--|
| Z5100X0 | Remote control |
| Z5135X1 | Active carbon filter |
| Z5135X3 | Recirculating kit |
| Z511TPOX0 | CleanAir act. carbon filter regenerative |
| Z54TR00X0 | CleanAir active carbon filter |
| Z54TR60X3 | CleanAir Recirculation Kit |

Canopy hood: designed to fit neatly under an overhead unit or cabinet. They're discreet and effectively use valuable space.

- ✓ LED lighting: a clear illumination whilst cooking thanks to the energy-saving LED lights
- ✓ Dimmer Function – easily dim the light according to your mood with the touch of a finger
- ✓ EfficientDrive: save energy and enjoy a quieter kitchen thanks to efficient brushless motor technology
- ✓ Intensive speed setting: increases the extraction rate when the steam gets intense
- ✓ High extraction rate: Ensures a clear view while cooking thanks to efficient motor technology as either a ducted or recirculating solution.

Features

Technical Data

Typology : Traditional
 Approval certificates : Australia Standards, CE, VDE
 Length electrical supply cord (cm) : 150
 Required niche size for installation (HxWxD) : 418mm x 676mm x 264mm
 Minimum distance above an electric hob : 500
 Minimum distance above a gas hob : 650
 Net weight (kg) : 10.170
 Type of control : Electronic
 Maximum output air extraction (m³/h) : 575
 Boost position output recirculating (m³/h) : 380
 Maximum output recirculating air (m³/h) : 310
 Boost position air extraction (m³/h) : 775
 Number of lights : 2
 Noise level (dB(A) re 1 pW) : 64
 Diameter of air outlet (mm) : 120 / 150
 Grease filter material : Washable aluminium
 EAN code : 4242004237938
 Connection Rating (W) : 172
 Current (A) : 3
 Voltage (V) : 220-240
 Frequency (Hz) : 50
 Plug type : GB plug
 Installation typology : Built-in



4 242004 237938

*N 90, canopy cooker hood, 70 cm, clear glass black
printed
D57ML67N1B*

Features

Key performance features:

- Energy Efficiency Class: A++ (at a range of energy efficiency classes from A++ to E)*
- Extraction rate according to EN 61591 ø 15 cm:
max. Normal use 575 m³/h
Intensive 775 m³/h
- Noise max. Normal Level: 64 dB*

Features

- Soft touch control
- LED display
- 3 speeds plus intensive
- 2 x 1W LED lights
- Colour Temperature: 4000 K
- softLight with dimmer function
- EfficientDrive BLDC technology
- Interval operation
- Automatic after running (30 mins)
- Automatic intensive revert (6mins)
- 2 metal grease filter cassettes
- Saturation indicator for grease filter
-
- For installation in a kitchen cabinet
- Rim ventilation

Design

- Stainless steel
- Canopy hood
- Filter cover glass, metal grease filter
- Soft touch control
- Electronic controls

Performance/technical information

- Suitable for ducted extraction and recirculation
- For recirculated extraction recirculating kit or CleanAir recirculating kit (accessory) needed
- Extraction rate according to EN 61591 ø 15 cm:
max. Normal use 575 m³/h
Intensive 775 m³/h
- Extraction rate according to EN 61591 max. 575 m³/h
- Noise level according to EN 60704-3 and EN 60704-2-13 at max. normal use exhaust air: 64 dB(A) re 1 pW (51 dB(A) re 20 µPa sound pressure)
- Noise level according to EN 60704-3 and EN 60704-2-13 exhaust air:
Max. normal use: 64 dB(A) re 1 pW (51 dB(A) re 20 µPa sound pressure)
Intensive: 70 dB(A) re 1 pW (57 dB(A) re 20 µPa sound pressure)
- Noise level according to EN 60704-3 and EN 60704-2-13 at maximum normal setting: extraction rate: 64 dB (A) re 1pW
- Noise max. Normal Level: 64 dB*
-
- Light Intensity: 244 lux
- Colour Temperature: 4000 K
- Electrical cable length 1.5 m
- Diameter pipe Ø 150 mm (Ø 120 mm enclosed)
- Dimensions exhaust air (HxWxD): 418-418 x 700 x 300 mm
- Mounting dimensions: width: 68 cm, depth: 26 cm
- Energy Efficiency Class: A++ (at a range of energy efficiency classes from A++ to E)*
- Blower Efficiency Class: A*
- Lighting Efficiency Class: A*
- Grease Filtering Efficiency Class: D*
- Average Energy Consumption: 30.3 kWh/year*

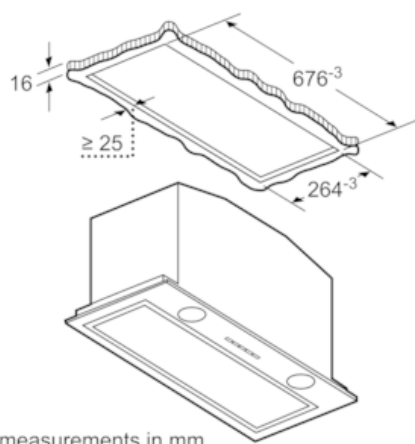
Optional accessories

- Recirculating kit Z5135X1

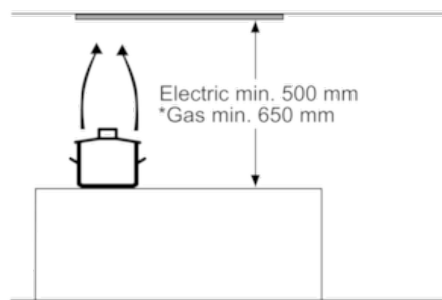
* In accordance with the EU-Regulation No 65/2014

N 90, canopy cooker hood, 70 cm, clear glass black printed
 D57ML67N1B

Dimensioned drawings

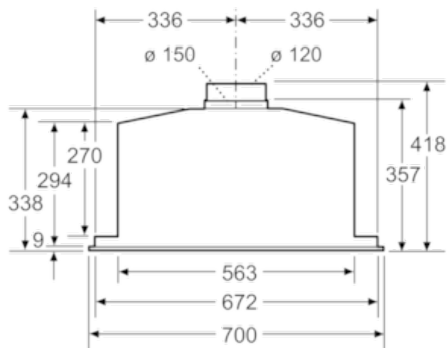


measurements in mm

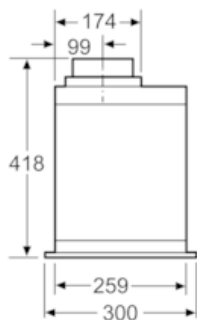


* from upper edge of pan support

measurements in mm



measurements in mm



measurements in mm