

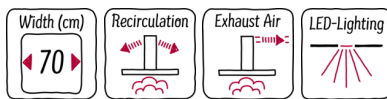
N 50, Canopy cooker hood, 70 cm, Stainless steel
D57MH56NOB



COOKING PASSION SINCE 1877



C



Canopy hood: designed to fit neatly under an overhead unit or cabinet. They're discreet and effectively use valuable space.

- ✓ LED lighting: a clear illumination whilst cooking thanks to the energy-saving LED lights
- ✓ Intensive speed setting: increases the extraction rate when the steam gets intense
- ✓ High extraction rate: Ensures a clear view while cooking thanks to efficient motor technology as either a ducted or recirculating solution.

Features

Technical Data

Typology : Traditional
 Approval certificates : CE, VDE
 Length of electrical supply cord (cm) : 150
 Required niche size for installation (HxWxD) : 418mm x 676mm x 264mm
 Minimum distance above an electric hob : 500
 Minimum distance above a gas hob : 650
 Net weight (kg) : 8.970
 Type of control : Electronic
 Maximum output air extraction (m³/h) : 630
 Boost position output recirculating (m³/h) : 310
 Maximum output recirculating air (m³/h) : 300
 Boost position air extraction (m³/h) : 730
 Number of lights (Stck) : 2
 Noise level (dB(A) re 1 pW) : 66
 Diameter of air outlet (mm) : 150 / 120
 Grease filter material : Washable aluminium
 EAN code : 4242004187769
 Connection rating (W) : 277
 Current (A) : 3
 Voltage (V) : 220-240
 Frequency (Hz) : 50
 Plug type : GB plug
 Installation type : Built-in

Optional accessories

Z5135X1	Active carbon filter
Z5135X3	Recirculating kit
Z511TP0X0	CleanAir act.carbon filter regenerative
Z54TR00X0	CleanAir active carbon filter
Z54TR60X3	CleanAir Recirculation Kit



4 242004 187769

N 50, Canopy cooker hood, 70 cm, Stainless steel

D57MH56NOB

Features

Features

- LED display
- 2 x 1W LED lights
- 2 metal grease filter cassettes
- Stainless steel filter cover, metal grease filter
- 3 speeds plus intensive
- Automatic intensive revert (6mins)
- Rim ventilation

Design

- Stainless steel
- Stainless steel
- Canopy hood
-
- Soft touch control
- Electronic controls

Performance/technical information

- Suitable for ducted extraction and recirculation
- For recirculated extraction recirculating kit or CleanAir recirculating kit (accessory) needed
- Twin channel high performance fan motor
- In recirculation operation chimless use possible
- Extraction rate according to EN 61591 ø 15 cm:
max. Normal use 630 m³/h
Intensive 730 m³/h
- Power rating: 277 W
- Noise level according to EN 60704-3 and EN 60704-2-13 at maximum normal setting: extraction rate: 66 dB (A) re 1pW
- Noise max. Normal Level: 66 dB*
- Light Intensity: 244 lux
- Colour Temperature: 4000 K
- Electrical cable length 1.5 m
- Diameter pipe Ø 150 mm (Ø 120 mm enclosed)
- Dimensions exhaust air (HxWxD): 418-418 x 700 x 300 mm
- Dimensions recirculating (HxWxD): 418-418 x 700 x 300 mm
- Energy Efficiency Class: C (at a range of energy efficiency classes from A++ to E)*
- Blower Efficiency Class: C*
- Lighting Efficiency Class: A*
- Grease Filtering Efficiency Class: D*
- Average Energy Consumption: 104.2 kWh/year*

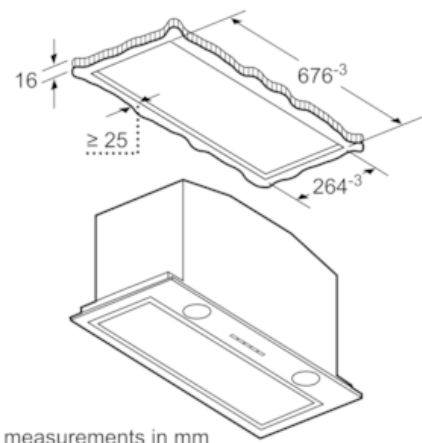
Optional accessories

- Recirculating kit Z5135X1
- Max. extraction rate: 730 m³/h
- Dimensions (HxWxD): 418 x 700 x 300 mm

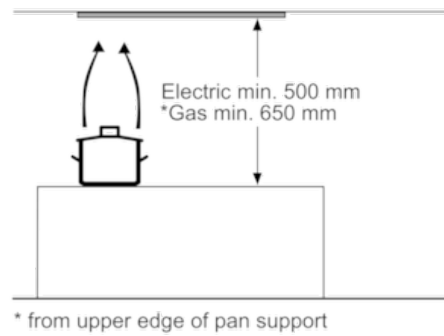
* In accordance with the EU-Regulation No 65/2014

N 50, Canopy cooker hood, 70 cm, Stainless steel
D57MH56NOB

Dimensioned drawings

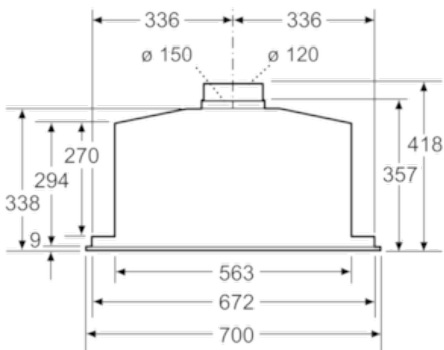


measurements in mm

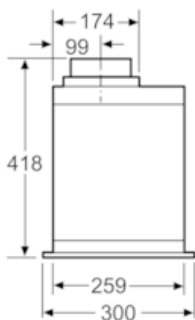


* from upper edge of pan support

measurements in mm



measurements in mm



measurements in mm