

N 90, Built-in compact oven with microwave function,  
Stainless steel  
C17MS32H0B



COOKING PASSION SINCE 1877



Compact built-in oven with integral microwave - even more ways to cook quickly and conveniently in a very small space

- ✓ EasyClean - the quick and easy option for day-to-day maintenance
- ✓ BaseClean - a special cleaning programme designed to help clean the base of the oven
- ✓ TFT display - the high-resolution display takes you straight to the programme of your choice.
- ✓ Compact oven with microwave - even more ways to cook quickly and conveniently.
- ✓ Shift Control - fast navigation through menus and simple operation with the generous TFT display.
- ✓ EcoClean - the self-cleaning catalytic coating on the inside top and sides of the oven makes oven cleaning easier.
- ✓ BaseClean - the special cleaning programme for the oven floor.
- ✓ Modern LED lighting for bright, even illumination
- ✓ Home Connect - rediscover your kitchen with our connected home appliances, from wherever you are.



#### Features

##### Technical Data

Type of micro-wave oven : MW-Combi  
 Type of control : Electronic  
 Color / Material Front : Stainless steel  
 Dimensions of the product (mm) : 455 x 596 x 548  
 Cavity dimensions (mm) : 237.0 x 480 x 392.0  
 Length of electrical supply cord (cm) : 150  
 Net weight (kg) : 34.433  
 Gross weight (kg) : 37.0  
 EAN code : 4242004236306  
 Maximum micro-wave power (W) : 900  
 Connection rating (W) : 3600  
 Current (A) : 16  
 Voltage (V) : 220-240  
 Frequency (Hz) : 50; 60  
 Plug type : no plug

#### Optional accessories

Z11GT10X3 Glass roasting dish, 5,4l  
 Z11GU20X0 Glasspan  
 Z11SZ00X0 SeamlessCombination mounting kit  
 Z11SZ60X0 SeamlessCombination 45 + 14cm  
 Z11SZ90X0 SeamlessCombination 60 + 45cm  
 Z12CB10A0 Baking tray, anthracite enamelled  
 Z12CM10A0 Moussaka pan, anthracite enamelled  
 Z12CQ10A0 Grill tray, anthracite enamelled  
 Z13CV06S0 Decor strip  
 Z18M45X0 Cookbook  
 Z1913X0 Baking Stone



*N 90, Built-in compact oven with microwave  
function, Stainless steel  
C17MS32H0B*

## Features

### Design

- 4.1" TFT colour and graphics display with ShiftControl
- Illuminated Shift Control
- electronic clock
- Drop down door, SoftClose, soft opening
- Bar handle
- Cavity inner surface: Enamel anthracite

### Features

- HomeConnect ready on WLAN
- Control panel lock
  - Automatic safety switch off
  - Residual heat indicator
  - Start button
  - Door contact switch
- Temperature proposal
  - Actual temperature display
  - Heating up indicator
  - Sabbath setting
- Microwave inverter technology
- Intelligent microwave inverter technology: For optimised results maximum output power will be regulated to 600 W when used in longer operation for gentler cooking.
- automatic programmes: 14
- Baking and roasting assistant, Automatic programmes
- LED light
- On/off button
- 3 shelf positions
- Cooling fan

### Cleaning

- EcoClean Direct : back panel, ceiling, side liners
- EcoClean programme, Base Clean programme
- Microwave top door

### Programmes/functions

- Compact oven with microwave with 12 heating methods: CircoTherm®, CircoTherm® Gentle, Top/bottom heat, Conventional heat Gentle, Hot air grilling, Full surface grill, Centre surface grill, CircoTherm® intensive , Bottom heat, Low temperature cooking, Dough proving, Plate warming
- Additional heating methods with microwave: Microwave, Microwave combination cooking
- Microwave may be used separately or in combination
- Max. Power: 900 W; 5 Microwave power settings (90 W,180 W,360 W,600 W,900 W)
- Grill and microwave power levels 90 W, 180 W, 360 W combinable
- Rapid heat

### Standard accessories

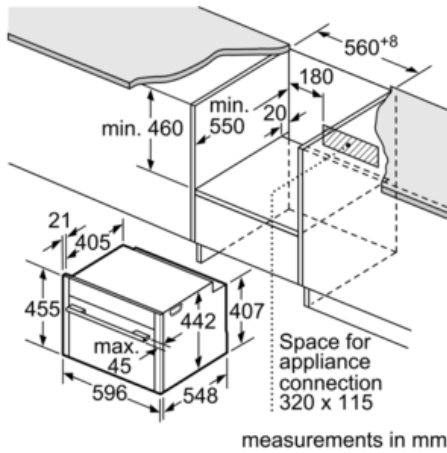
- 1 x combination grid, 1 x universal pan

### Technical information

- Cavity volume: 45 l
- Temperature range 30 °C - 300 °C
- Microwave inverter technology
- Length of mains cable: 150 cm
- Total connected load electric: 3.6 KW
- Nominal voltage: 220 - 240 V
- Appliance dimension (hxwxd): 455 mm x 596 mm x 548 mm
- Niche dimension (hxwxd): 450 mm - 455 mm x 560 mm - 568 mm x 550 mm
- Please refer to the dimensions provided in the installation manual

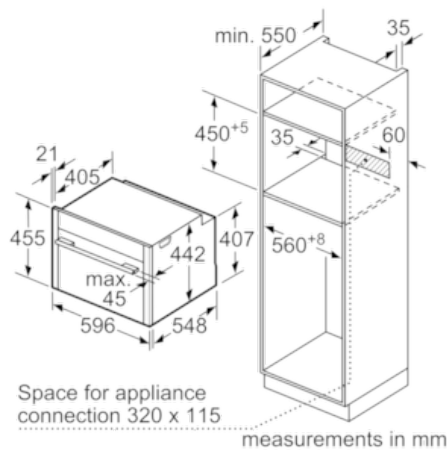
N 90, Built-in compact oven with microwave function, Stainless steel  
C17MS32H0B

Dimensioned drawings



If the compact appliance will be installed underneath a hob, the following worktop thicknesses (including substructure if necessary) must be taken into account.

Hob type	min. worktop thickness	
	fitted	flush
Induction hob	42 mm	43 mm
Full surface Induction hob	52 mm	53 mm
Gas hob	32 mm	43 mm
Electric hob	32 mm	35 mm



Installation with a hob.

