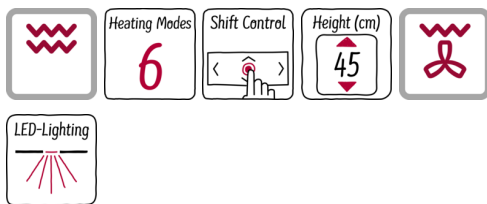


N 70, Built-in compact oven with microwave function,
Stainless steel
C17MR02NOB



Compact built-in oven with integral microwave - even more ways to cook quickly and conveniently in a very small space

- ✓ Compact oven with microwave - even more ways to cook quickly and conveniently.
- ✓ Shift Control - fast navigation through menus and simple operation with the TFT display.
- ✓ TFT display - the high-resolution display takes you straight to the programme of your choice.
- ✓ Modern LED lighting for bright, even illumination
- ✓ Hinged door with cushioned opening and closing.

Features

Technical Data

Type of micro-wave oven : MW-Combi
 Type of control : Electronic
 Color / Material Front : Stainless steel
 Dimensions of the product (mm) : 455 x 596 x 548
 Cavity dimensions (mm) : 237.0 x 480 x 392.0
 Length of electrical supply cord (cm) : 150
 Net weight (kg) : 35.333
 Gross weight (kg) : 38.0
 EAN code : 4242004182177
 Maximum micro-wave power (W) : 900
 Connection rating (W) : 3600
 Current (A) : 16
 Voltage (V) : 220-240
 Frequency (Hz) : 60; 50
 Plug type : no plug

Optional accessories

Z11GT10X3 Glass roasting dish, 5,4l
 Z11GU20X0 Glasspan
 Z11SZ00X0 SeamlessCombination mounting kit
 Z11SZ60X0 SeamlessCombination 45 + 14cm
 Z11SZ90X0 SeamlessCombination 60 + 45cm
 Z12CB10A0 Baking tray, anthracite enamelled
 Z12CM10A0 Moussaka pan, anthracite enamelled
 Z12CQ10A0 Grill tray, anthracite enamelled
 Z13CV06S0 Decor strip
 Z1913X0 Baking Stone



4 242004 182177

*N 70, Built-in compact oven with microwave
function, Stainless steel
C17MR02NOB*

Features

Design

- 2.5" TFT colour display
- Illuminated Shift Control
- electronic clock
- Drop down door, SoftClose, soft opening
- Bar handle
- Cavity inner surface: Enamel anthracite

Features

- Control panel lock
Automatic safety switch off
Residual heat indicator
Start button
Door contact switch
- Temperature proposal
Actual temperature display
Heating up indicator
- Intelligent microwave inverter technology: For optimised results maximum output power will be regulated to 600 W when used in longer operation for gentler cooking.
- automatic programmes: 14
- LED light
- On/off button
- 3 shelf positions
- Cooling fan

Cleaning

- Microwave top door

Programmes/functions

- Compact oven with microwave with 6 heating methods: CircoTherm®, CircoTherm® Gentle, Hot air grilling, Full surface grill, Centre surface grill, Plate warming
- Additional heating methods with microwave: Microwave, Combi microwave constant
- Microwave may be used separately or in combination
- Max. Power: 900 W; 5 Microwave power settings (90 W, 180 W, 360 W, 600 W, 900 W)
- automatic programmes: 14

Standard accessories

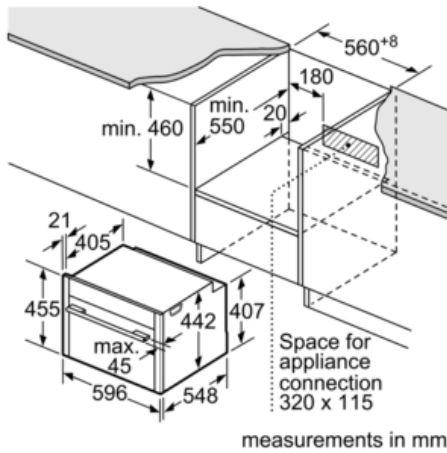
- 1 x combination grid, 1 x universal pan

Technical information

- Cavity volume: 45 l
- Temperature range 30 °C - 275 °C
- Microwave inverter technology
- Length of mains cable: 150 cm
- Total connected load electric: 3.6 KW
- Nominal voltage: 220 - 240 V
- Appliance dimension (hxwxh): 455 mm x 596 mm x 548 mm
- Niche dimension (hxwxh): 450 mm - 455 mm x 560 mm - 568 mm x 550 mm
- Please refer to the dimensions provided in the installation manual

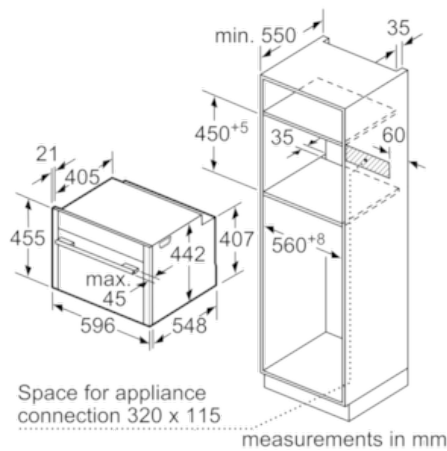
N 70, Built-in compact oven with microwave function, Stainless steel
C17MR02NOB

Dimensioned drawings



If the compact appliance will be installed underneath a hob, the following worktop thicknesses (including substructure if necessary) must be taken into account.

Hob type	min. worktop thickness	
	fitted	flush
Induction hob	42 mm	43 mm
Full surface Induction hob	52 mm	53 mm
Gas hob	32 mm	43 mm
Electric hob	32 mm	35 mm



Installation with a hob.

