

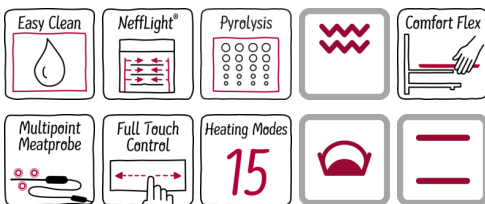
N 90, Built-in oven, Stainless steel
B58CT68H0B



COOKING PASSION SINCE 1877



A



Built-in oven with SLIDE&HIDE® - unrestricted access to the oven interior

- ✓ Slide&Hide® - unrestricted access in the oven interior and easy handling due to rotating handle
- ✓ CircoTherm® - the unique hot air-system for simultaneous baking and roasting on up to 3 levels
- ✓ Dual cleaning options:
- ✓ Pyrolytic following heavy use - just let the oven interior clean itself.
- ✓ EasyClean® - the quick and easy option for day to day maintenance.
- ✓ TFT display - the high-resolution display takes you straight to the programme of your choice.
- ✓ Home Connect – rediscover your kitchen with our connected home appliances, from wherever you are.
- ✓ Clip-on Rail - easily removed and installed telescopic rails for flexible use on all shelf levels

Features

Technical Data

Color / Material Front : Stainless steel
 Construction type : Built-in
 Integrated Cleaning system : Hydrolytic, Pyrolytic
 Required niche size for installation (HxWxD) : 585-595 x 560-568 x 550
 Dimensions of the product (mm) : 595 x 596 x 548
 Dimensions of the packed product (HxWxD) (mm) : 670 x 690 x 660
 Control Panel Material : Stainless steel
 Door Material : Glass
 Net weight (kg) : 42.306
 Usable volume of cavity (l) : 71
 Cooking method : , 4D hot air, Bottom heat, Bread Baking Setting, Conventional heat, Defrost, Dough proving setting, Full width grill, Half width grill, Hot Air-Eco, Hot air grilling, low temperature cooking, Pizza setting, pre-heating, warming
 First cavity material : Enamelled
 Temperature control : electronic
 Number of interior lights : 3
 Approval certificates : CE, VDE
 Length of electrical supply cord (cm) : 120
 EAN code : 4242004236085
 Number of cavities (2010/30/EC) : 1
 Energy efficiency class (2010/30/EC) : A
 Energy consumption per cycle conventional (2010/30/EC) : 0.90
 Energy consumption per cycle forced air convection (2010/30/EC) : 0.74
 Energy efficiency index (2010/30/EC) : 87.1
 Electrical connection rating (W) : 3450
 Current (A) : 16
 Voltage (V) : 220-240
 Frequency (Hz) : 50; 60
 Plug type : no plug

Included accessories

1 x combination grid, 1 x universal pan

Optional accessories

Z11CR10X0 : Baking and roasting grid (standard) ,
 Z11GT10X3 : Glass roasting dish, 5,4l , Z11GU20X0 :
 Glasspan , Z11SZ00X0 : SeamlessCombination mounting kit ,
 Z11SZ80X0 : SeamlessCombination 60 + 29cm , Z11SZ90X0 :
 SeamlessCombination 60 + 45cm , Z11TC10X0 : ComfortFlex
 Rail (1 level) , Z12CB10A0 : Baking tray, anthracite enamelled ,
 Z12CM10A0 : Moussaka pan, anthracite enamelled , Z12CQ10A0 :
 Grill tray, anthracite enamelled , Z18C60X0 : Cookbook , Z1913X0 :
 Baking Stone



4 242004 236085

N 90, Built-in oven, Stainless steel

B58CT68H0B

Features

Design

- 5.7" TFT colour and graphics display with FullTouch control
- Touch control
- Cavity inner surface: Enamel anthracite
- Slide&Hide® with fixed handle, SoftOpen
- Slide&Hide® with rotating handle

Features

- HomeConnect ready on WLAN
- Control panel lock
- Automatic safety switch off
- Residual heat indicator
- Start button
- Door contact switch
- Temperature proposal
- Actual temperature display
- Heating up indicator
- Sabbath setting
- MultiPoint MeatProbe
- Baking and roasting assistant
- NeffLight (2 x 20 Watt halogen lamps) , LED light
- Quadruple glazed door

Cleaning

- Pyrolytic cleaning
- EasyClean
- Full glass inner door

Programmes/functions

- 15 heating methods: CircoTherm®, CircoTherm® Gentle, Top/bottom heat, Conventional heat Gentle, Hot air grilling, Full surface grill, Centre surface grill, CircoTherm® intensive , Bread baking, Bottom heat, Low temperature cooking, Defrost, Dough proving, Plate warming, Keep warm
- Rapid heat
- Cooling fan

Accessories

- 1-level flexible telescopic rail, full extension, Stop function
- 1 x combination grid, 1 x universal pan

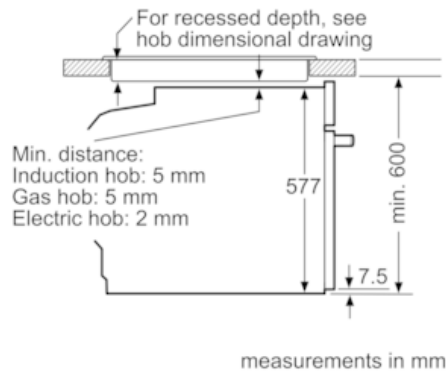
Performance/technical information

- Energy efficiency rating (acc. EU Nr. 65/2014): A
- Energy consumption per cycle in conventional mode: 0.9 kwh
- Energy consumption per cycle in fan-forced convection mode: 0.74 kwh
- Number of cavities: Main cavity
- Heat source: electrical
- Cavity volume: 71 litre
- Total connected load electric: 3.45 KW
- Temperature range 40 °C - 275 °C
- Length of mains cable: 120 cm
- Nominal voltage: 220 - 240 V
- Appliance dimension (hxwxh): 595 mm x 596 mm x 548 mm
- Niche dimension (hxwxh): 585 mm - 595 mm x 560 mm - 568 mm x 550 mm
- Please refer to the dimensions provided in the installation manual

N 90, Built-in oven, Stainless steel
B58CT68HOB

Dimensioned drawings

Installation with a hob.



If the appliance will be installed underneath a hob, the following worktop thicknesses (including substructure if necessary) must be taken into account.

| Hob type | min. worktop thickness | |
|----------------------------|------------------------|-------|
| | fitted | flush |
| Induction hob | 37 mm | 38 mm |
| Full surface Induction hob | 47 mm | 48 mm |
| Gas hob | 30 mm | 38 mm |
| Electric hob | 27 mm | 30 mm |

