

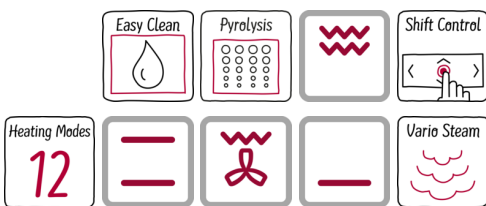
N 70, built-in oven with steam-function, Stainless steel  
B57VR22NOB



COOKING PASSION SINCE 1877



A+



Built-in oven with VarioSteam® and SLIDE&HIDE® - fuller flavour and unrestricted access to the oven interior

- ✓ Slide&Hide® - unrestricted access in the oven interior and easy handling due to rotating handle
- ✓ CircoTherm® - the unique hot air-system for simultaneous baking and roasting on up to 3 levels
- ✓ VarioSteam® - Steam assistance for CircoTherm® ovens, that cooks foods moist on the inside and crisp on the outside
- ✓ Dual cleaning options:
  - ✓ Pyrolytic following heavy use - just let the oven interior clean itself.
  - ✓ EasyClean® - the quick and easy option for day to day maintenance.
- ✓ Shift Control - fast navigation through menus and simple operation with the TFT display.
- ✓ Modern LED lighting for bright, even illumination

Features

Technical Data

Color / Material Front : Stainless steel  
 Built-in / Free-standing : Built-in  
 Integrated Cleaning system : Hydrolytic, Pyrolytic  
 Required niche size for installation (HxWxD) : 585-595 x 560-568 x 550  
 Dimensions of the product (mm) : 595 x 596 x 548  
 Dimensions of the packed product (HxWxD) (mm) : 675 x 690 x 660  
 Control Panel Material : Stainless steel  
 Door Material : Glass  
 Net weight (kg) : 43.278  
 Usable volume (of cavity) - cavity 1 (l) : 71  
 Cooking method : , 4D hot air, Bottom heat, Bread Baking Setting, Conventional heat, Full width grill, Half width grill, Hot Air-Eco, Hot air grilling, low temperature cooking, Pizza setting, warming  
 First cavity material : Enamelled  
 Temperature control : electronic  
 Number of interior lights : 1  
 Approval certificates : CE, VDE  
 Length electrical supply cord (cm) : 120  
 EAN code : 4242004181965  
 Number of cavities (2010/30/EC) : 1  
 Energy efficiency class (2010/30/EC) : A+  
 Energy consumption per cycle conventional (2010/30/EC) : 0.87  
 Energy consumption per cycle forced air convection (2010/30/EC) : 0.69  
 Energy efficiency index (2010/30/EC) : 81.2  
 Electrical connection rating (W) : 3450  
 Current (A) : 16  
 Voltage (V) : 220-240  
 Frequency (Hz) : 50; 60  
 Plug type : no plug

Included accessories

2 x combination grid, 1 x universal pan

Optional accessories

Z11CR10X0 : Baking and roasting grid (standard) ,  
 Z11GT10X3 : Glass roasting dish, 5,4l, Z11GU20X0 :  
 Glasspan , Z11SZ00X0 : SeamlessCombination mounting kit ,  
 Z11SZ80X0 : SeamlessCombination 60 + 29cm, Z11SZ90X0 :  
 SeamlessCombination 60 + 45cm, Z11TC10X0 : ComfortFlex Rail  
 (1 level) , Z11TC16X0 : ComfortFlex Rail (1 level) , Z12CB10A0 :  
 Baking tray, anthracite enamelled , Z12CM10A0 : Moussaka pan,  
 anthracite enamelled , Z12CQ10A0 : Grill tray, anthracite enamelled ,  
 Z18V60X0 : Cookbook , Z1913X0 : Baking Stone



4 242004 181965

*N 70, built-in oven with steam-function, Stainless steel*  
*B57VR22NOB*

## Features

### Design

- 2.5" TFT colour display
- Illuminated Shift Control
- Cavity inner surface: Enamel anthracite
- Slide&Hide® with rotating handle

### Features

- Control panel lock
  - Automatic safety switch off
  - Residual heat indicator
  - Start button
  - Door contact switch
- Temperature proposal
  - Actual temperature display
  - Heating up indicator
  - Sabbath setting
- Automatic programmes
- Water tank empty indicator
- Quadruple glazed door

### Cleaning

- Pyrolytic cleaning
- EasyClean
- De-scaling programme
- Full glass inner door

### Programmes/functions

- 12 heating methods: CircoTherm®, CircoTherm® Gentle, Top/bottom heat, Conventional heat Gentle, Hot air grilling, Full surface grill, Centre surface grill, CircoTherm® intensive, Bread baking, Bottom heat, Low temperature cooking, Keep warm
- Additional heating methods with steam: Reheat, Dough proving
- Additional functions:
  - De-scaling programme
  - Drying function
- Number of automatic programmes: 14 PC
- Rapid heat
- Cooling fan

### Accessories

- 2 x combination grid, 1 x universal pan

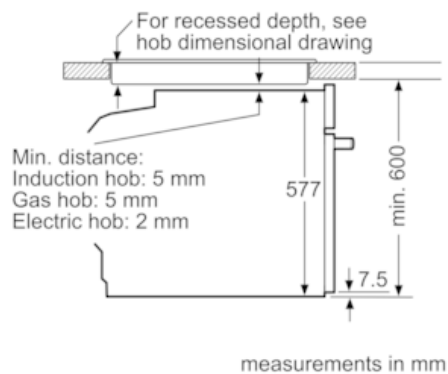
### Performance/technical information

- Energy efficiency rating (acc. EU Nr. 65/2014): A+
  - Energy consumption per cycle in conventional mode: 0.87 kwh
  - Energy consumption per cycle in fan-forced convection mode: 0.69 kwh
  - Number of cavities: Main cavity
  - Heat source: electrical
  - Cavity volume: 71 litre
- 1 l Water tank capacity
- Location of the steam generator is outside of the cavity
- Total connected load electric: 3.45 KW
- Temperature range 40 °C - 275 °C
- Length of mains cable: 120 cm
- Nominal voltage: 220 - 240 V
- Appliance dimension (hxwxd): 595 mm x 596 mm x 548 mm
- Niche dimension (hxwxd): 585 mm - 595 mm x 560 mm - 568 mm x 550 mm
- Please refer to the dimensions provided in the installation manual

*N 70, built-in oven with steam-function, Stainless steel*  
*B57VR22NOB*

Dimensioned drawings

Installation with a hob.



If the appliance will be installed underneath a hob, the following worktop thicknesses (including substructure if necessary) must be taken into account.

Hob type	min. worktop thickness	
	fitted	flush
Induction hob	37 mm	38 mm
Full surface Induction hob	47 mm	48 mm
Gas hob	30 mm	38 mm
Electric hob	27 mm	30 mm