

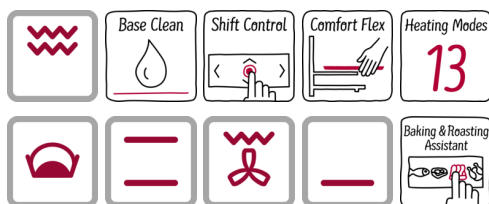
N 90, Built-in oven, Stainless steel  
B47CS34H0B



COOKING PASSION SINCE 1877



A



Built-in oven with SLIDE&HIDE® - unrestricted access to the oven interior

- ✓ Slide&Hide® - unrestricted access in the oven interior and easy handling due to rotating handle
- ✓ CircoTherm® - the unique hot air-system for simultaneous baking and roasting on up to 3 levels
- ✓ EcoClean - the self-cleaning catalytic coating on the sides of your oven make cleaning the inside easier.
- ✓ EasyClean - the quick and easy option for day-to-day maintenance
- ✓ BaseClean - a special cleaning programme designed to help clean the base of the oven
- ✓ TFT display - the high-resolution display takes you straight to the programme of your choice.
- ✓ Shift Control - fast navigation through menus and simple operation with the generous TFT display.

Features

Technical Data

Color / Material Front : Stainless steel  
 Construction type : Built-in  
 Integrated Cleaning system : Catalytic all sides, Hydrolytic  
 Required niche size for installation (HxWxD) : 585-595 x 560-568 x 550  
 Dimensions of the product (mm) : 595 x 596 x 548  
 Dimensions of the packed product (HxWxD) (mm) : 660 x 690 x 660  
 Control Panel Material : Stainless steel  
 Door Material : Glass  
 Net weight (kg) : 37.930  
 Usable volume of cavity (l) : 71  
 Cooking method : , 4D hot air, Bottom heat, Bread Baking Setting, Conventional heat, Defrost, Dough proving setting, Full width grill, Half width grill, Hot Air-Eco, Hot air grilling, low temperature cooking, Pizza setting  
 First cavity material : Enamelled  
 Temperature control : electronic  
 Number of interior lights : 1  
 Approval certificates : CE, VDE  
 Length of electrical supply cord (cm) : 120  
 EAN code : 4242004236030  
 Number of cavities (2010/30/EC) : 1  
 Energy efficiency class (2010/30/EC) : A  
 Energy consumption per cycle conventional (2010/30/EC) : 0.90  
 Energy consumption per cycle forced air convection (2010/30/EC) : 0.74  
 Energy efficiency index (2010/30/EC) : 87.1  
 Electrical connection rating (W) : 3450  
 Current (A) : 16  
 Voltage (V) : 220-240  
 Frequency (Hz) : 50; 60  
 Plug type : no plug

Included accessories

1 x combination grid, 1 x universal pan

Optional accessories

Z11AB10A0 : Baking tray, non-stick coated , Z11CR10X0 : Baking and roasting grid (standard) , Z11GT10X3 : Glass roasting dish, 5,4l , Z11GU20X0 : Glasspan , Z11SZ00X0 : SeamlessCombination mounting kit , Z11SZ80X0 : SeamlessCombination 60 + 29cm , Z11SZ90X0 : SeamlessCombination 60 + 45cm , Z11TC10X0 : ComfortFlex Rail (1 level) , Z11TF36X0 : 3 level telescopic rails, full ext , Z12CB10A0 : Baking tray, anthracite enamelled , Z12CM10A0 : Moussaka pan, anthracite enamelled , Z12CQ10A0 : Grill tray, anthracite enamelled , Z18C60X0 : Cookbook , Z1913X0 : Baking Stone



4 242004 236030

# N 90, Built-in oven, Stainless steel

B47CS34H0B

## Features

### Design

- 4.1" TFT colour and graphics display with ShiftControl
- Illuminated Shift Control
- Cavity inner surface: Enamel anthracite
- Slide&Hide® with rotating handle
- Silver display EasyClock

### Features

- HomeConnect ready on WLAN
- Control panel lock
  - Automatic safety switch off
  - Residual heat indicator
  - Start button
  - Door contact switch
- Cavity volume: 71 litre
- Temperature proposal
  - Actual temperature display
  - Heating up indicator
  - Sabbath setting
- Baking and roasting assistant
- Interior halogen light
- Triple glazed door

### Cleaning

- EcoClean Direct : ceiling, back panel, side liners
- EcoClean programme, Base Clean programme
- Full glass inner door

### Programmes/functions

- 13 heating methods: CircoTherm®, CircoTherm® Gentle, Top/bottom heat, Conventional heat Gentle, Hot air grilling, Full surface grill, Centre surface grill, CircoTherm® intensive , Bread baking, Bottom heat, Low temperature cooking, Defrost, Dough proving
- Rapid heat
- Cooling fan

### Accessories

- 1-level flexible telescopic rail, full extension, Stop function
- 1 x combination grid, 1 x universal pan

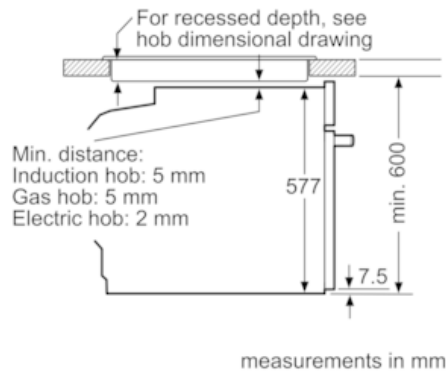
### Performance/technical information

- Energy efficiency rating (acc. EU Nr. 65/2014): A
  - Energy consumption per cycle in conventional mode: 0.9 kwh
  - Energy consumption per cycle in fan-forced convection mode: 0.74 kwh
  - Number of cavities: Main cavity
  - Heat source: electrical
  - Cavity volume: 71 litre
- Total connected load electric: 3.45 KW
- Temperature range 40 °C - 275 °C
- Length of mains cable: 120 cm
- Nominal voltage: 220 - 240 V
- Appliance dimension (hxwxh): 595 mm x 596 mm x 548 mm
- Niche dimension (hxwxh): 585 mm - 595 mm x 560 mm - 568 mm x 550 mm
- Please refer to the dimensions provided in the installation manual

N 90, Built-in oven, Stainless steel  
B47CS34HOB

Dimensioned drawings

Installation with a hob.



If the appliance will be installed underneath a hob, the following worktop thicknesses (including substructure if necessary) must be taken into account.

Hob type	min. worktop thickness	
	fitted	flush
Induction hob	37 mm	38 mm
Full surface Induction hob	47 mm	48 mm
Gas hob	30 mm	38 mm
Electric hob	27 mm	30 mm

