

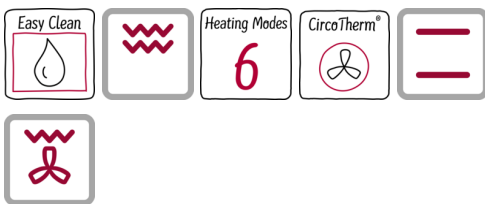
N 50, Built-in oven, White
B1ACE4HWOB



COOKING PASSION SINCE 1877



A



Built-in oven with CircoTherm® - The award-winning hot air system from Neff

- ✓ CircoTherm® - the unique hot air-system for simultaneous baking and roasting on up to 3 levels
- ✓ EasyClean® - this special cleaning aid provides uncomplicated, energy-saving cleaning of the oven interior.
- ✓ An environment-saving option for fast oven cleaning.
- ✓ Clip-on Rail - easily removed and installed telescopic rails for flexible use on all shelf levels
- ✓ Hinged door

Features

Technical Data

Color / Material Front : White
 Construction type : Built-in
 Integrated Cleaning system : Hydrolytic
 Required niche size for installation (HxWxD) : 585-595 x 560-568 x 550
 Dimensions of the product (mm) : 595 x 594 x 548
 Dimensions of the packed product (HxWxD) (mm) : 675 x 690 x 660
 Control Panel Material : Glass
 Door Material : Glass
 Net weight (kg) : 32.842
 Usable volume of cavity (l) : 71
 Cooking method : Conventional heat, Full width grill, Hot Air, Hotair gentle, Hot air grilling, Pizza setting
 First cavity material : Other
 Temperature control : No control of the temperature
 Number of interior lights : 1
 Approval certificates : CE, VDE
 Length of electrical supply cord (cm) : 120
 EAN code : 4242004225041
 Number of cavities (2010/30/EC) : 1
 Energy efficiency class (2010/30/EC) : A
 Energy consumption per cycle conventional (2010/30/EC) : 0.97
 Energy consumption per cycle forced air convection (2010/30/EC) : 0.81
 Energy efficiency index (2010/30/EC) : 95.3
 Electrical connection rating (W) : 2990
 Current (A) : 13
 Voltage (V) : 220-240
 Frequency (Hz) : 60; 50
 Plug type : no plug

Included accessories

2 x combination grid, 1 x universal pan

Optional accessories

Z11AB15A0 Baking tray, non-stick ceramic coated
 Z11CB10E0 Baking tray, grey enameled
 Z11CR10X0 Baking and roasting grid (standard)
 Z11GT10X3 Glass roasting dish, 5,4l
 Z11TF36X0 3 level telescopic rails, full ext
 Z11TI15X0 Cliprails
 Z1913X0 Baking Stone



N 50, Built-in oven, White

B1ACE4HWOB

Features

Design

- LCD Display (White)
- Retractable control dials, Bevelled oval controls
- Cavity inner surface: Enamel grey
- Drop down door
- Bar handle

Features

- Control panel lock
- Heating up indicator
- Interior halogen light
- Double glazed door

Cleaning

- EcoClean Direct : back panel
- EasyClean
- Full glass inner door

Programmes/functions

- 6 heating methods: CircoTherm®, Top/bottom heat, Hot air grilling, Full surface grill, CircoTherm® intensive , CircoTherm® gentle
- Cooling fan

Accessories

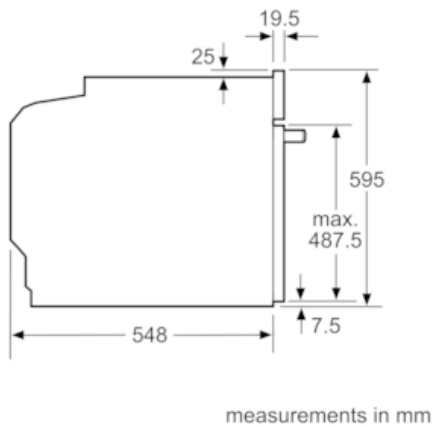
- 1 Clip rail, Stop function
- 2 x combination grid, 1 x universal pan

Performance/technical information

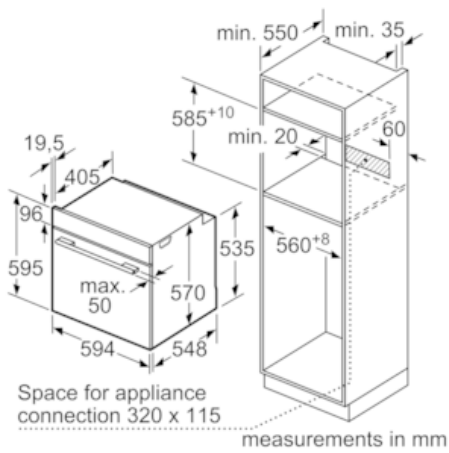
- Energy efficiency rating (acc. EU Nr. 65/2014): A
Energy consumption per cycle in conventional mode: 0.97 kwh
Energy consumption per cycle in fan-forced convection mode: 0.81 kwh
Number of cavities: Main cavity
Heat source: electrical
Cavity volume: 71 litre
- Total connected load electric: 2.99 KW
- Temperature range 50 °C - 275 °C
- Length of mains cable: 120 cm
- Nominal voltage: 220 - 240 V
- Appliance dimension (h x w x d): 595 mm x 594 mm x 548 mm
- Niche dimension (h x w x d): 585 mm - 595 mm x 560 mm - 568 mm x 550 mm
- Please refer to the dimensions provided in the installation manual

N 50, Built-in oven, White
B1ACE4HW0B

Dimensioned drawings

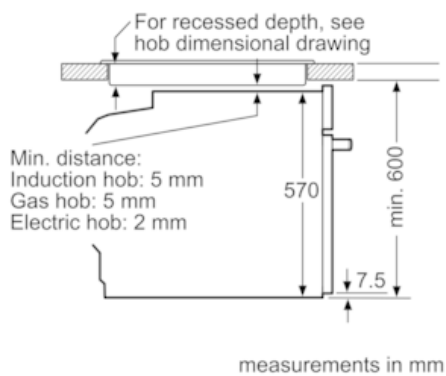


measurements in mm



measurements in mm

Installation with a hob.



measurements in mm