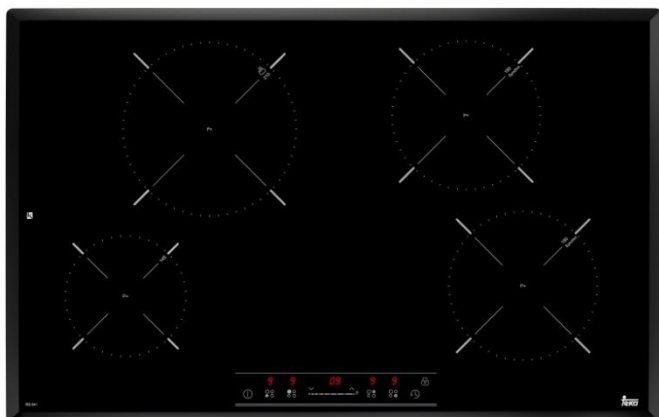


IR 8400

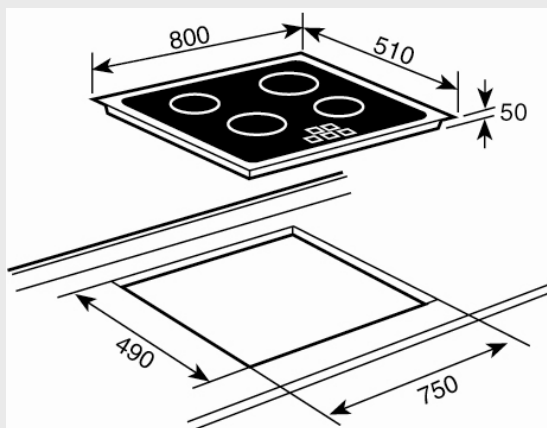
FEATURES



Pan optimization system

This innovative system, integrated into the design of our induction generators and exclusive in the Teka induction range, gets the power level selected, independently of ferritic pan quality.

- Bevelled glass
- Touch control slider
- Pan optimization system
- Cooking time programmer (Independent programmer of each cooking zone)
- Low-temp function
- Power plus function
- Pan detector
- 4 cooking zones
- I1 induction Ø 145 mm
- I2 induction Ø 180 mm
- I3 induction Ø 180 mm
- I4 induction Ø 210 mm
- Power function in all induction elements (I1/1.800W – I2/2.500W – I3/2.500W – I4/3.200W)
- Residual heat indicators
- Total nominal power: 7.400 W
- Ext dimensions mm: 800 x 510



Code: 10210187

EAN: 8421152149775