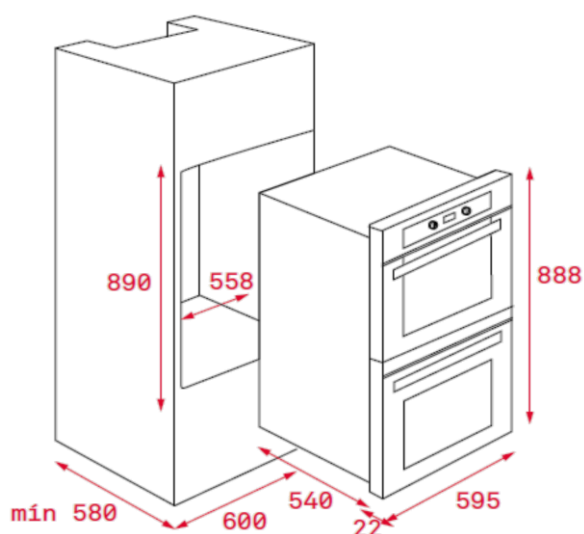


## External dimensions

↑888 mm →595 mm ↗562 mm

## Technical drawing



## Features

- Built in Double Oven

### TOP CAVITY

- Conventional Oven
- 4 Cooking Functions
- Net/gross capacity: 31/36 litres
- Chromed supports, 3 levels
- Maxi grill
- Energy Class: A

### MAIN CAVITY

- Turbo Multifunction Oven
- 4 Cooking Functions
- Net/gross capacity: 57/65 litres
- Chromed supports, 5 levels
- Energy Class: A

### COMMON FEATURES

- Touch control with Start/Stop programmer in white color
- Stainless steel fix knobs with black cover
- Children safety block option
- Fume scape outlet through vault
- Forced ventilation
- Full glass inner door, 2 glazed door
- 2 Deep Tray, reinforced grid, 2 standard grids, tray handle

## Color

## Reference

## EAN 13

- | Color | Reference | EAN 13        |
|-------|-----------|---------------|
| • SS  | 41593014  | 8421152155141 |

## Technical data

- |                             |           |
|-----------------------------|-----------|
| • Energy Efficiency class   | A/A       |
| • Voltage                   | 220/240 V |
| • Frequency                 | 50/60 Hz  |
| • Maximum connection rating | 5298 W    |