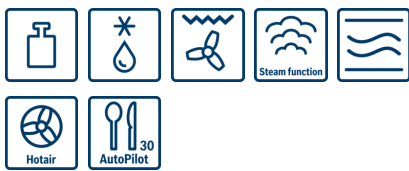


Serie | 6, Built-in compact microwave with steam function, Stainless steel CPA565GS0B



The built-in microwave with steam function and hotair: prepare your dishes by saving time, steaming or re-heating.

- **Steam function:** for gentle, healthy food preparation.
- **Microwave function:** time saving preparation, defrosting and re-heating of dishes.
- **Hotair:** perfect results on one level thanks to optimal distribution of heat.
- **AutoPilot 30:** every dish is a perfect success thanks to 30 pre-set automatic programmes.
- **White LCD display control:** easy-to-use thanks to direct access to additional functions, temperature recommendation and temperature indication.
- **Pop-out controls:** for an easy to clean front.

Technical Data

| | |
|---|---------------------|
| Type of micro-wave oven : | MW only |
| Color / Material Front : | Stainless steel |
| Dimensions of the product (mm) : | 455 x 594 x 545 |
| Cavity dimensions (mm) : | 236.0 x 432.0 x 350 |
| Length of electrical supply cord (cm) : | 150 |
| Net weight (kg) : | 35.070 |
| Gross weight (kg) : | 39.0 |
| EAN code : | 4242005036196 |
| Maximum micro-wave power (W) : | 1000 |
| Connection rating (W) : | 3100 |
| Current (A) : | 16 |
| Voltage (V) : | 220-240 |
| Frequency (Hz) : | 50 |
| Plug type : | fixed connection |

Included accessories

- 1 x insert grid
- 1 x Plug-in grid
- 1 x glass pan
- 1 x Steam container

Optional accessories

- HEZ915003 : Glass roasting dish, 5,4 L



Serie | 6, Built-in compact microwave with steam function, Stainless steel CPA565GS0B

The built-in microwave with steam function and hotair: prepare your dishes by saving time, steaming or re-heating.

Design

- LCD-display control (white)
- Drop down door
- Retractable control dials, Start button, Touch controls
- Straight bar handle
- Cavity inner surface: Stainless steel

Features

- Digital temperature display with proposal Heating-up indicator AutoPilot
- Control panel lock Automatic safety switch off Start button Door contact switch
- Intelligent microwave inverter technology: For optimised results maximum output power will be regulated to 600 W when used in longer operation for gentler cooking.
- AutoPilot30
- Electronic clock timer
- Main on/off switch
- LED light
- 5 shelf positions
- Water tank empty indicator
- Integral cooling fan

Cleaning

- Catalytic back liner
- Full glass inner door

Programmes/functions

- Built-in Microwave with steam function with 5 heating methods: Hotair grilling, full width variable grill
- Additional heating methods with microwave: Microwave
- Additional heating methods with steam: Steam cooking
- Additional functions: Descaling programme
- AutoPilot30
- 4 defrost and 26 cooking programmes
- Grill and microwave power levels 90 W, 180 W, 360 W, 600 W combinable
- Max. Power: 1000 W; 5 Microwave power settings (90 W,180 W,360 W,600 W,1000 W)
- Fast pre-heating function

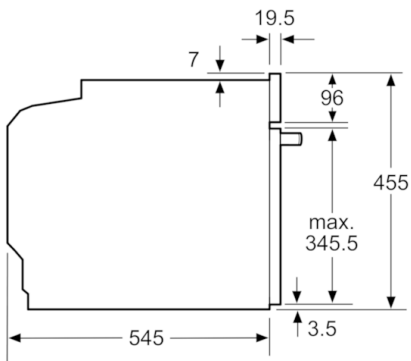
Standard accessories

- 1 x insert grid, 1 x Plug-in grid, 1 x glass pan, 1 x Steam container

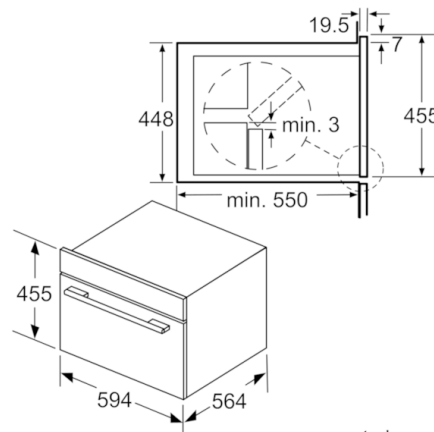
Performance/technical information

- Cavity volume: 36 l
- Stirrer fan distribution
- Microwave inverter technology
- 0.8 l Water tank
- Length of mains cable: 150 cm
- Total connected load electric: 3.1 KW
- Nominal voltage: 220 - 240 V
- Appliance dimension (hxwxh): 455 mm x 594 mm x 545 mm
- Niche dimension (hxwxh): 450 mm - 452 mm x 560 mm - 568 mm x 550 mm
- Please refer to the dimensions provided in the installation manual

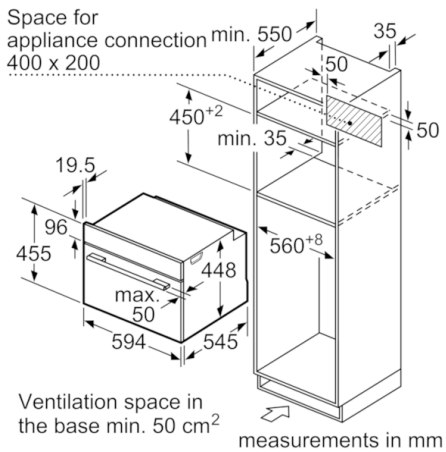
Serie | 6, Built-in compact microwave with steam function, Stainless steel CPA565GS0B



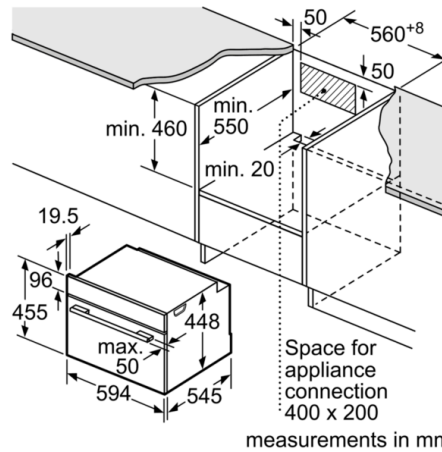
measurements in mm



measurements in mm



measurements in mm



measurements in mm