

**Serie | 6, Built-in microwave oven,
Stainless steel
BFL554MS0B**



Included accessories
1 x Turntable

**The built-in microwave for the 38 cm niche:
use it for defrosting, heating and the
perfect preparation of food.**

- **Microwave function:** time saving preparation, defrosting and re-heating of dishes.
- **AutoPilot 7:** every dish is a perfect success thanks to 7 pre-set automatic programmes.
- **Electronic door opening:** comfortable door opening
- **LED display control, white:** easy-to-use thanks to the time functions.

Technical Data

Type of micro-wave oven :	MW only
Type of control :	Electronic
Color / Material Front :	Stainless steel
Dimensions of the product (mm) :	382 x 594 x 388
Cavity dimensions (mm) :	208.0 x 328.0 x 369.0
Length of electrical supply cord (cm) :	130
Net weight (kg) :	18.513
Gross weight (kg) :	21.0
EAN code :	4242005038961
Maximum micro-wave power (W) :	900
Connection rating (W) :	1450
Current (A) :	10
Voltage (V) :	230-240
Frequency (Hz) :	50
Plug type :	GB plug



Serie | 6, Built-in microwave oven, Stainless steel

BFL554MS0B

**The built-in microwave for the 38 cm niche:
use it for defrosting, heating and the perfect
preparation of food.**

Design

- LED Display, white
- Side opening door, left hinged
- Retractable control dials, Start button, Touch controls
- Electronic open button
- Cavity inner surface: Stainless steel
- 31.5 cm Glass turntable

Features

- AutoPilot
1 memory setting
- Automatic safety switch off
Door contact switch
- AutoPilot7
- Electronic clock timer
- LED light
- Integral cooling fan

Programmes/functions

- Additional heating methods with microwave: Microwave
- AutoPilot7
- 4 defrost and 3 cooking programmes
- Max. Power: 900 W; 5 Microwave power settings (90 W,180 W,360 W,600 W,900 W)

Standard accessories

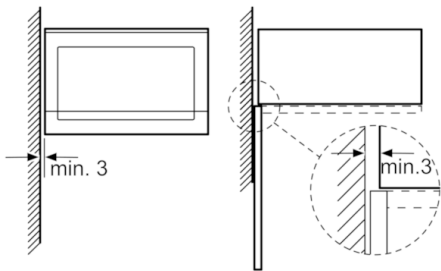
- 1 x Turntable

Performance/technical information

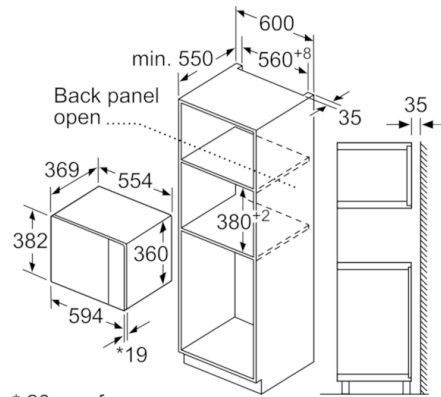
- Cavity volume: 25 l
- Turntable distribution
- Length of mains cable: 130 cm
- Total connected load electric: 1.45 KW
- Nominal voltage: 230 - 240 V
- Appliance dimension (hxwx): 382 mm x 594 mm x 388 mm
- Niche dimension (hxwx): 380 mm - 382 mm x 560 mm - 568 mm x 550 mm
- Please refer to the dimensions provided in the installation manual

Serie | 6, Built-in microwave oven, Stainless steel BFL554MS0B

Microwave,
corner installation

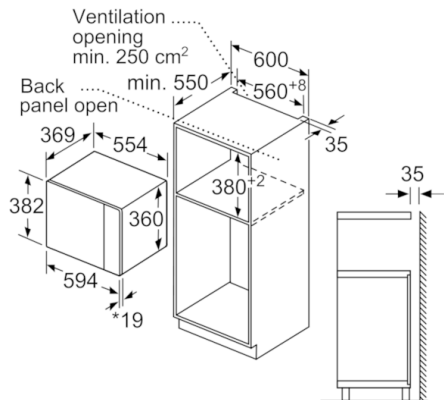


Measurements in mm



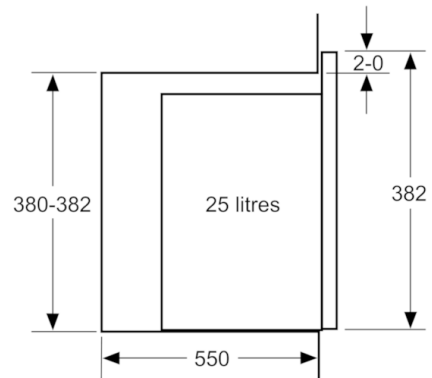
* 20 mm for
metal fascia

measurements in mm



* 20 mm for metal fascia

measurements in mm



measurements in mm