

**Serie | 4, wall-mounted cooker hood,  
60 cm, Stainless steel  
DWQ66DM50B**

A



**Slim Pyramid hood: performance and matching design in your kitchen.**

- **TouchSelect control:** quick touch-control selection of desired settings and light.
- An impressive extraction rate of 644 m<sup>3</sup>/h ensures this hood will have your kitchen odour free in no time.
- **Silent:** maximum extractor performance with little noise

**Technical Data**

Color chimney :	Stainless steel
Typology :	Chimney
Approval certificates :	CE, VDE
Length electrical supply cord (cm) :	130
Height of the chimney (mm) :	582-912/582-1022
Height of product, without chimney (mm) :	94
Minimum distance above an electric hob :	550
Minimum distance above a gas hob :	650
Net weight (kg) :	10.538
Type of control :	Electronic
Maximum output air extraction (m <sup>3</sup> /h) :	411
Boost position output recirculating (m <sup>3</sup> /h) :	372
Maximum output recirculating air (m <sup>3</sup> /h) :	312
Boost position air extraction (m <sup>3</sup> /h) :	644
Number of lights :	2
Noise level (dB(A) re 1 pW) :	62
Diameter of air outlet (mm) :	150 / 120
Grease filter material :	Washable aluminium
EAN code :	4242005051212
Connection Rating (W) :	220
Current (A) :	10
Voltage (V) :	220-240
Frequency (Hz) :	60; 50
Plug type :	GB plug
Installation typology :	Wall-mounted

**Optional accessories**

- DHZ1225 : Chimney extension 1000 mm
- DHZ1235 : Chimney extension 1500 mm
- DHZ6550 : Brushed steel back panel
- DHZ6551 : Brushed steel back panel
- DSZ5201 : CleanAir active carbon filter spare part
- DSZ6200 : CleanAir Recirculation Kit
- DWZ0DX0A0 : Active carbon filter
- DWZ0DX0U0 : Recirculating kit
- DWZ0XX0I0 : Integrated CleanAir Recirculation Kit
- DWZ0XX0J0 : Integrated CleanAir Recirculation Kit
- DZZ0XX0P0 : CleanAir act.carbon filter regenerative



4 242005 051212

## Serie | 4, wall-mounted cooker hood, 60 cm, Stainless steel DWQ66DM50B

### Slim Pyramid hood: performance and matching design in your kitchen.

#### Key performance features:

- Energy Efficiency Class: A (at a range of energy efficiency classes from A++ to E)\*
- Extraction rate according to EN 61591 ø 15 cm:  
max. Normal use 410 m<sup>3</sup>/h  
Intensive 644 m<sup>3</sup>/h
- Noise max. Normal Level: 62 dB\*

#### Features

- TouchControl with Electronic display
- Electronic display
- 3 power levels & intensive setting
- 2 x 1.5W LED light
- Colour Temperature: 3500 K
- Automatic intensive revert (6mins)
- 2 metal grease filter cassettes
- Designed for wall mounted installation

#### Design

- Brushed steel
- Slim Pyramid
- Chimney extractor hood
- TouchControl
- Electronic control

#### Performance/technical information

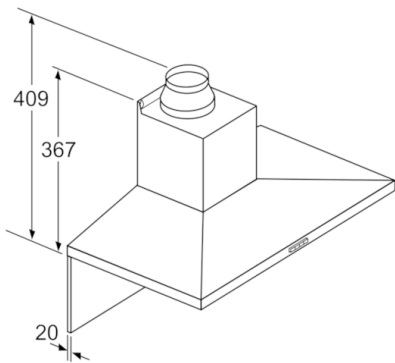
- Suitable for ducted or recirculating operation
- For recirculated extraction recirculating kit or CleanAir recirculating kit (accessory) needed
- Max. extraction rate: 644 m<sup>3</sup>/h
- Extraction rate according to EN 61591 ø 15 cm:  
max. Normal use 410 m<sup>3</sup>/h  
Intensive 644 m<sup>3</sup>/h
- Extraction rate in recirculation mode:  
Max. normal use: 312 m<sup>3</sup>/h  
Intensive: 372 m<sup>3</sup>/h
- Noise max. Normal Level: 62 dB\*
- Noise level according to EN 60704-3 and EN 60704-2-13 exhaust air:  
Max. normal use: 62 dB(A) re 1 pW (49 dB(A) re 20 µPa sound pressure)  
Intensive: 70 dB(A) re 1 pW (57 dB(A) re 20 µPa sound pressure)
- Noise levels in recirculation mode:  
Max. normal use: 72 dB(A) re 1 pW (59 dB(A) re 20 µPa sound pressure)  
Intensive: 75 dB(A) re 1 pW (62 dB(A) re 20 µPa sound pressure)
- 
- Light Intensity: 242 lux
- Colour Temperature: 3500 K
- Electrical cable length 1.3 m
- Diameter pipe ø 150 mm (ø 120 mm enclosed)
- Dimensions exhaust air (HxWxD): 676-1006 x 600 x 500 mm
- Dimensions recirculating (HxWxD): 676-1116 x 600 x 500 mm
- Dimensions recirculating with CleanAir module (HxWxD):  
744 x 600 x 500 mm - mounting with outer chimney  
874-1204 x 600 x 500 mm - mounting with telescopic chimney
- Energy Efficiency Class: A (at a range of energy efficiency classes from A++ to E)\*
- Blower Efficiency Class: A\*
- Lighting Efficiency Class: A\*
- Grease Filtering Efficiency Class: B\*
- Average Energy Consumption: 41.7 kWh/year\*

#### Optional accessories

- Recirculating kit

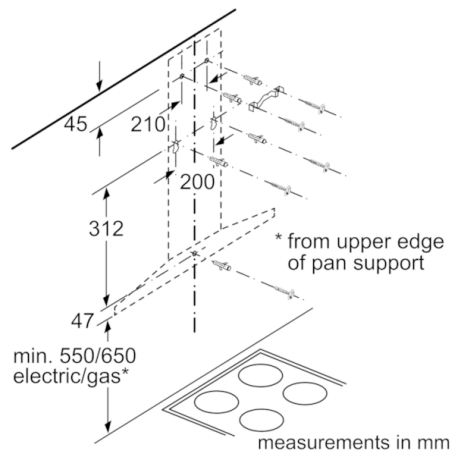
\* In accordance with the EU-Regulation No 65/2014

**Serie | 4, wall-mounted cooker hood, 60 cm,  
Stainless steel  
DWQ66DM50B**

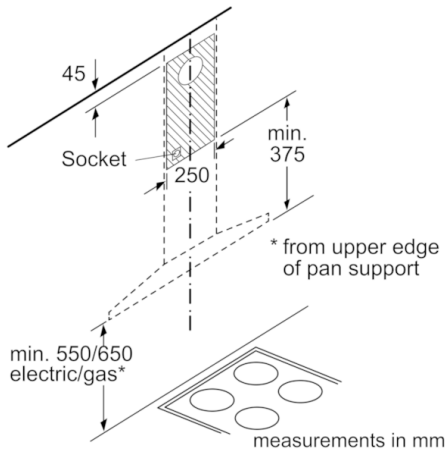


If a back panel is used,  
the design of the appliance  
must be considered.

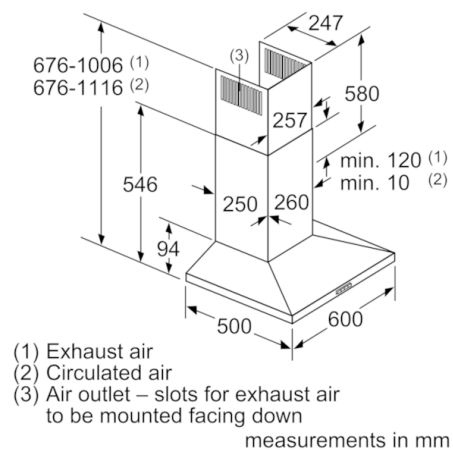
measurements in mm



measurements in mm



measurements in mm



measurements in mm

- (1) Exhaust air
- (2) Circulated air
- (3) Air outlet – slots for exhaust air to be mounted facing down