

**Serie | 2, wall-mounted cooker hood,
60 cm, clear glass
DWG64BC50B**



**Hood with glass design: performance
combined with straight glass design
matching your kitchen.**

- **Push buttons:** simply change the desired power level settings with mechanic control.
- An impressive extraction rate of 365 m³/h ensures this hood will have your kitchen odour free in no time.
- **Silent:** maximum extractor performance with little noise

Technical Data

Color chimney :	Stainless steel
Typology :	Chimney
Approval certificates :	CE, VDE
Length electrical supply cord (cm) :	130
Height of the chimney (mm) :	576-906/576-998
Height of product, without chimney (mm) :	59
Minimum distance above an electric hob :	550
Minimum distance above a gas hob :	650
Net weight (kg) :	12.325
Type of control :	mechanical
Number of speed settings :	3
Maximum output air extraction (m ³ /h) :	365
Maximum output recirculating air (m ³ /h) :	190
Number of lights :	2
Noise level (dB(A) re 1 pW) :	64
Diameter of air outlet (mm) :	150 / 120
Grease filter material :	Washable aluminium
EAN code :	4242005051151
Connection Rating (W) :	100
Current (A) :	10
Voltage (V) :	220-240
Frequency (Hz) :	50; 60
Plug type :	GB plug
Installation typology :	Wall-mounted

Optional accessories

- DHZ1225 : Chimney extension 1000 mm
- DHZ1235 : Chimney extension 1500 mm
- DHZ6550 : Brushed steel back panel
- DHZ6551 : Brushed steel back panel
- DSZ5201 : CleanAir active carbon filter spare part
- DSZ6200 : CleanAir Recirculation Kit
- DWZ0DX0A0 : Active carbon filter
- DWZ0DX0U0 : Recirculating kit
- DWZ0XX0I0 : Integrated CleanAir Recirculation Kit
- DWZ0XX0J0 : Integrated CleanAir Recirculation Kit
- DZZ0XX0P0 : CleanAir act.carbon filter regenerative



Serie | 2, wall-mounted cooker hood, 60 cm, clear glass DWG64BC50B

Hood with glass design: performance combined with straight glass design matching your kitchen.

Key performance features:

- Energy Efficiency Class: D (at a range of energy efficiency classes from A++ to E)*
- Max. extraction rate: 365 m³/h
- Noise max. Normal Level: 64 dB*

Features

- Push button control
- 3 power levels
- 2 x 1.5W LED light
- Colour Temperature: 3500 K
- 1 metal grease filter cassette
- Designed for wall mounted installation

Design

- Brushed steel glass canopy
- Glass design
- Chimney extractor hood
- Mechanical

Performance/technical information

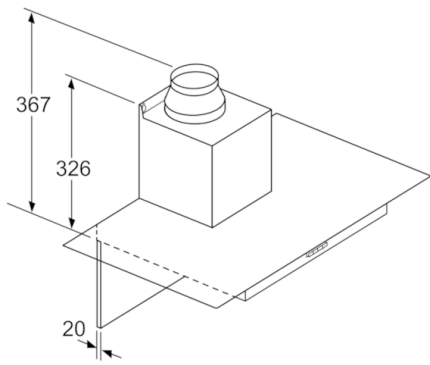
- Suitable for ducted or recirculating operation
- For recirculated extraction recirculating kit or CleanAir recirculating kit (accessory) needed
- Max. extraction rate: 365 m³/h
- Maximum extraction rate exhaust air 365 m³/h according to EN 61591
- Extraction rate in recirculation mode:
Max. normal use: 190 m³/h
- Noise max. Normal Level: 64 dB*
- Noise level according to EN 60704-3 and EN 60704-2-13 at max. normal use exhaust air: 64 dB(A) re 1 pW (51 dB(A) re 20 µPa sound pressure)
- Noise level in recirculation mode:
Max. normal use: 66 dB(A) re 1 pW (53 dB(A) re 20 µPa sound pressure)
-
- Light Intensity: 110 lux
- Colour Temperature: 3500 K
- Electrical cable length 1.3 m
- Diameter pipe Ø 150 mm (Ø 120 mm enclosed)
- Dimensions exhaust air (HxWxD): 635-965 x 600 x 525 mm
- Dimensions recirculating (HxWxD): 635-1075 x 600 x 525 mm
- Dimensions recirculating with CleanAir module (HxWxD):
703 x 600 x 525 mm - mounting with outer chimney
833-1163 x 600 x 525 mm - mounting with telescopic chimney
- Energy Efficiency Class: D (at a range of energy efficiency classes from A++ to E)*
- Blower Efficiency Class: E*
- Lighting Efficiency Class: A*
- Grease Filtering Efficiency Class: B*
- Average Energy Consumption: 53.1 kWh/year*

Optional accessories

- Recirculating kit

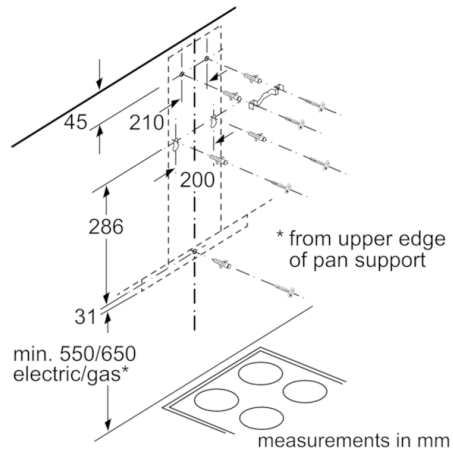
* In accordance with the EU-Regulation No 65/2014

**Serie | 2, wall-mounted cooker hood, 60 cm,
clear glass
DWG64BC50B**

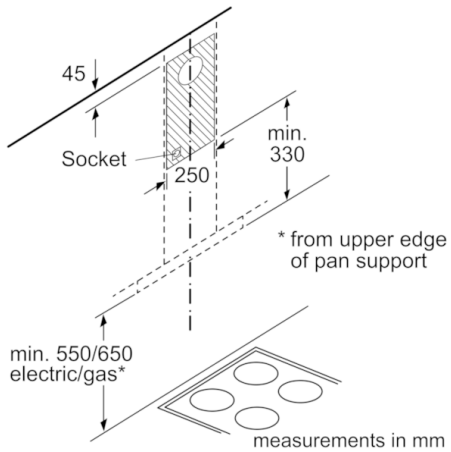


If a back panel is used,
the design of the appliance
must be considered.

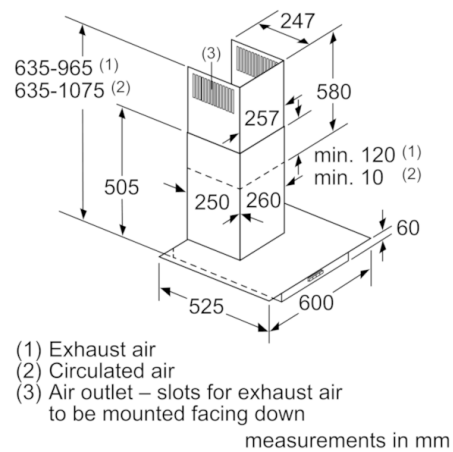
measurements in mm



measurements in mm



measurements in mm



measurements in mm

- (1) Exhaust air
- (2) Circulated air
- (3) Air outlet – slots for exhaust air
to be mounted facing down