

**Serie | 2, wall-mounted cooker hood,
60 cm, Stainless steel
DWP64BC50B**



D

**Pyramid hood: perfect performance
matching your kitchen.**

- **Push buttons:** simply change the desired power level settings with mechanic control.
- An impressive extraction rate of 365 m³/h ensures this hood will have your kitchen odour free in no time.
- **Silent:** maximum extractor performance with little noise

Technical Data

Color chimney :	Stainless steel
Typology :	Chimney
Approval certificates :	CE, VDE
Length electrical supply cord (cm) :	130
Height of the chimney (mm) :	553-730/573-730
Height of product, without chimney (mm) :	246
Minimum distance above an electric hob :	550
Minimum distance above a gas hob :	650
Net weight (kg) :	7.299
Type of control :	mechanical
Number of speed settings :	3
Maximum output air extraction (m ³ /h) :	365
Maximum output recirculating air (m ³ /h) :	211
Number of lights :	2
Noise level (dB(A) re 1 pW) :	66
Diameter of air outlet (mm) :	120 / 150
Grease filter material :	Washable aluminium
EAN code :	4242005031467
Connection Rating (W) :	100
Current (A) :	10
Voltage (V) :	220-240
Frequency (Hz) :	50; 60
Plug type :	GB plug
Installation typology :	Wall-mounted

Optional accessories

- DHZ1224 : Chimney extension 500 mm
- DHZ1234 : Chimney extension 750 mm
- DHZ5275 : Recirculating kit
- DHZ5276 : Active carbon filter
- DHZ6550 : Brushed steel back panel
- DHZ6551 : Brushed steel back panel



Serie | 2, wall-mounted cooker hood, 60 cm, Stainless steel DWP64BC50B

Pyramid hood: perfect performance matching your kitchen.

Key performance features:

- Energy Efficiency Class: D (at a range of energy efficiency classes from A++ to E)*
- Max. extraction rate: 365 m³/h
- Noise max. Normal Level: 66 dB*

Features

- Push button control
- 3 power levels
- 2 x 1.5W LED light
- Colour Temperature: 3500 K
- 2 metal grease filter cassettes
- Designed for wall mounted installation

Design

- Brushed steel
- Pyramid
- Chimney extractor hood
- Mechanical

Performance/technical information

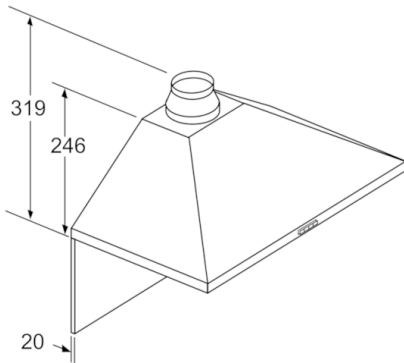
- Suitable for ducted or recirculating operation
- For recirculated extraction recirculating kit (accessory) needed
- Max. extraction rate: 365 m³/h
- Maximum extraction rate exhaust air 365 m³/h according to EN 61591
- Extraction rate in recirculation mode:
Max. normal use: 211 m³/h
- Noise max. Normal Level: 66 dB*
- Noise level according to EN 60704-3 and EN 60704-2-13 at max. normal use exhaust air: 66 dB(A) re 1 pW (53 dB(A) re 20 µPa sound pressure)
- Noise level in recirculation mode:
Max. normal use: 67 dB(A) re 1 pW (54 dB(A) re 20 µPa sound pressure)
-
- Light Intensity: 104 lux
- Colour Temperature: 3500 K
- Electrical cable length 1.3 m
- Diameter pipe Ø 150 mm (Ø 120 mm enclosed)
- Dimensions exhaust air (HxWxD): 799-975 x 600 x 500 mm
- Dimensions recirculating (HxWxD): 799-975 x 600 x 500 mm
- Energy Efficiency Class: D (at a range of energy efficiency classes from A++ to E)*
- Blower Efficiency Class: E*
- Lighting Efficiency Class: A*
- Grease Filtering Efficiency Class: C*
- Average Energy Consumption: 53.1 kWh/year*

Optional accessories

- Recirculating kit

* In accordance with the EU-Regulation No 65/2014

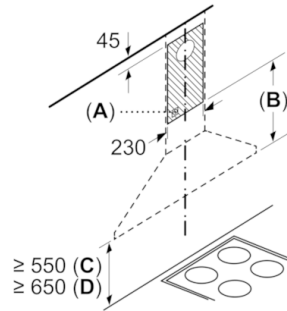
**Serie | 2, wall-mounted cooker hood, 60 cm,
Stainless steel
DWP64BC50B**



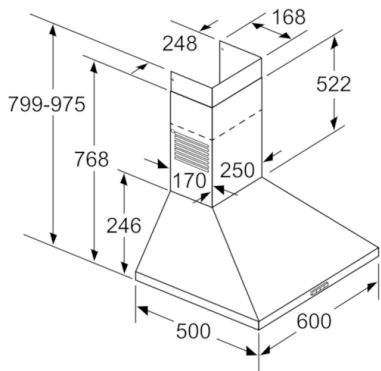
If a back panel is used,
the design of the appliance
must be considered.

measurements in mm

measurements in mm



- A: Socket
- B: Exhaust air: ≥ 280 ; circulated air: ≥ 490
- C: electric
- D: Gas, from upper edge of pan support



measurements in mm