

**Serie | 2, wall-mounted cooker hood,  
90 cm, Stainless steel  
DWP94BC50B**

**D**



**Optional accessories**

- DHZ1224 : Chimney extension 500 mm
- DHZ1234 : Chimney extension 750 mm
- DHZ5275 : Recirculating kit
- DHZ5276 : Active carbon filter
- DHZ9550 : Brushed steel back panel
- DHZ9551 : Brushed steel back panel

**Pyramid hood: perfect performance  
matching your kitchen.**

- **Push buttons:** simply change the desired power level settings with mechanic control.
- An impressive extraction rate of 365 m<sup>3</sup>/h ensures this hood will have your kitchen odour free in no time.
- **Silent:** maximum extractor performance with little noise

**Technical Data**

Color chimney :	Stainless steel
Typology :	Chimney
Approval certificates :	CE, VDE
Length electrical supply cord (cm) :	130
Height of the chimney (mm) :	553-730/573-730
Height of product, without chimney (mm) :	246
Minimum distance above an electric hob :	550
Minimum distance above a gas hob :	650
Net weight (kg) :	10.439
Type of control :	mechanical
Number of speed settings :	3
Maximum output air extraction (m <sup>3</sup> /h) :	365
Maximum output recirculating air (m <sup>3</sup> /h) :	213
Number of lights :	2
Noise level (dB(A) re 1 pW) :	65
Diameter of air outlet (mm) :	150 / 120
Grease filter material :	Washable aluminium
EAN code :	4242005032020
Connection Rating (W) :	100
Current (A) :	10
Voltage (V) :	220-240
Frequency (Hz) :	60; 50
Plug type :	GB plug
Installation typology :	Wall-mounted



## Serie | 2, wall-mounted cooker hood, 90 cm, Stainless steel DWP94BC50B

### Pyramid hood: perfect performance matching your kitchen.

#### Key performance features:

- Energy Efficiency Class: D (at a range of energy efficiency classes from A++ to E)\*
- Max. extraction rate: 365 m<sup>3</sup>/h
- Noise max. Normal Level: 65 dB\*

#### Features

- Push button control
- 3 power levels
- 2 x 1.5W LED light
- Colour Temperature: 3500 K
- 3 metal grease filter cassettes
- Designed for wall mounted installation

#### Design

- Brushed steel
- Pyramid
- Chimney extractor hood
- Mechanical

#### Performance/technical information

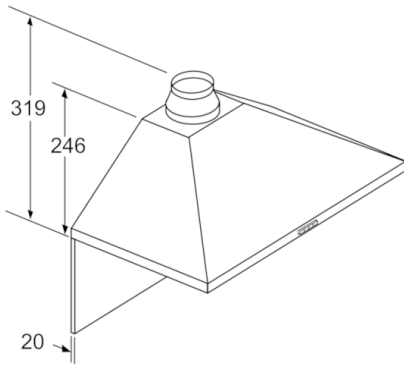
- Suitable for ducted or recirculating operation
- For recirculated extraction recirculating kit (accessory) needed
- Max. extraction rate: 365 m<sup>3</sup>/h
- Maximum extraction rate exhaust air 365 m<sup>3</sup>/h according to EN 61591
- Extraction rate in recirculation mode:  
Max. normal use: 213 m<sup>3</sup>/h
- Noise max. Normal Level: 65 dB\*
- Noise level according to EN 60704-3 and EN 60704-2-13 at max. normal use exhaust air: 65 dB(A) re 1 pW (52 dB(A) re 20 µPa sound pressure)
- Noise level in recirculation mode:  
Max. normal use: 67 dB(A) re 1 pW (54 dB(A) re 20 µPa sound pressure)
- 
- Light Intensity: 94 lux
- Colour Temperature: 3500 K
- Electrical cable length 1.3 m
- Diameter pipe Ø 150 mm (Ø 120 mm enclosed)
- Dimensions exhaust air (HxWxD): 799-975 x 900 x 500 mm
- Dimensions recirculating (HxWxD): 799-975 x 900 x 500 mm
- Energy Efficiency Class: D (at a range of energy efficiency classes from A++ to E)\*
- Blower Efficiency Class: E\*
- Lighting Efficiency Class: A\*
- Grease Filtering Efficiency Class: D\*
- Average Energy Consumption: 53.1 kWh/year\*

#### Optional accessories

- Recirculating kit

\* In accordance with the EU-Regulation No 65/2014

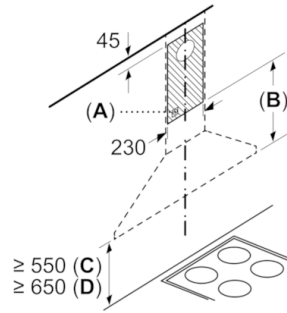
**Serie | 2, wall-mounted cooker hood, 90 cm,  
Stainless steel  
DWP94BC50B**



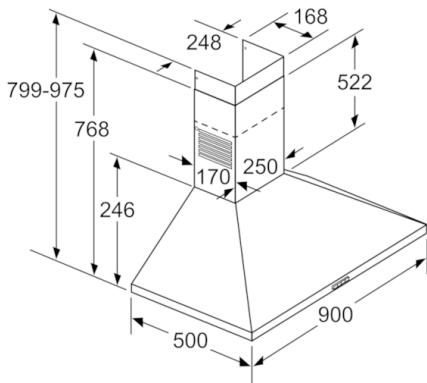
If a back panel is used,  
the design of the appliance  
must be considered.

measurements in mm

measurements in mm



- A: Socket
- B: Exhaust air:  $\geq 280$ ; circulated air:  $\geq 490$
- C: electric
- D: Gas, from upper edge of pan support



measurements in mm