

**Serie | 8, Wall-mounted cooker hood,  
90 cm, clear glass black printed  
DWK98PR60B**

**A+**



**Angled hood: perfect for keeping an eye on your pots and pans.**

- **DirectSelect control:** direct selection of desired settings and light.
- An impressive extraction rate of 837 m<sup>3</sup>/h ensures this hood will have your kitchen odour free in no time.
- **Home Connect:** Connected home appliances for an easier everyday life (only in countries where Home Connect service is available).
- **PerfectAir sensor:** automatic control of settings for maximum extractor performance with minimal noise.
- **Extra quiet:** maximum extractor performance with minimal noise.

**Technical Data**

Color chimney :	Stainless steel
Typology :	Chimney
Approval certificates :	CE, VDE
Length of electrical supply cord (cm) :	130
Height of product, without chimney (mm) :	323
Minimum distance above an electric hob :	450
Minimum distance above a gas hob :	600
Net weight (kg) :	18.403
Type of control :	Electronic
Number of speed settings :	3-stage + 2 intensive
Maximum output air extraction (m <sup>3</sup> /h) :	468
Boost position output recirculating (m <sup>3</sup> /h) :	583
Maximum output recirculating air (m <sup>3</sup> /h) :	430
Boost position air extraction (m <sup>3</sup> /h) :	837
Number of lights (Stck) :	2
Noise level (dB(A) re 1 pW) :	55
Diameter of air outlet (mm) :	150 / 120
Grease filter material :	Washable aluminium
EAN code :	4242002966748
Connection rating (W) :	166
Current (A) :	10
Voltage (V) :	220-240
Frequency (Hz) :	60; 50
Plug type :	GB plug
Installation type :	Wall-mounted

**Optional accessories**

- DSZ5201 : CleanAir active carbon filter spare part
- DWZ0AK0A0 : Active carbon filter (spare part)
- DWZ0AK0R0 : Recirculation kit regenerative chimless
- DWZ0AK0S0 : Recirculation kit regenerative
- DWZ0AK0T0 : Recirculation kit for chimless use
- DWZ0AK0U0 : Recirculation kit
- DWZ0AX5K0 : Chimney extension 1000 mm
- DWZ0AX5L0 : Chimney extension 1500 mm
- DZZ0XX0P0 : CleanAir act.carbon filter regenerative



## Serie | 8, Wall-mounted cooker hood, 90 cm, clear glass black printed DWK98PR60B

**Angled hood: perfect for keeping an eye on your pots and pans.**

### Key performance features:

- Energy Efficiency Class: A+ (at a range of energy efficiency classes from A++ to E)\*
- Extraction rate according to EN 61591 ø 15 cm: max. Normal use 467 m<sup>3</sup>/h Intensive 837 m<sup>3</sup>/h
- Noise max. Normal Level: 55 dB\*

### Features

#### Home Connect: Remote Monitoring and Control (only in countries where Home Connect service is available)

- PerfectAir sensor
- Hob based hood control
- TouchControl with lightline
- 3 power levels and 2 intensive settings
- 2 x 3W LED light
- Colour Temperature: 3500 K
- Dimmer function
- Efficient BLDC-technology
- Automatic after running (10 min)
- Automatic intensive revert (6mins)
- 2 removable metal grease filter cassettes
- Saturation indicator for metal and charcoal filter
- Additional noise reduction insulation
- easy to clean Inner frame
- Designed for wall mounted installation
- Rim ventilation

### Design

- Black glass canopy
- angled glass design
- Chimney extractor hood
- TouchControl
- Electronic control

### Performance/technical information

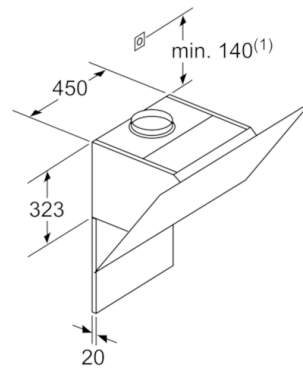
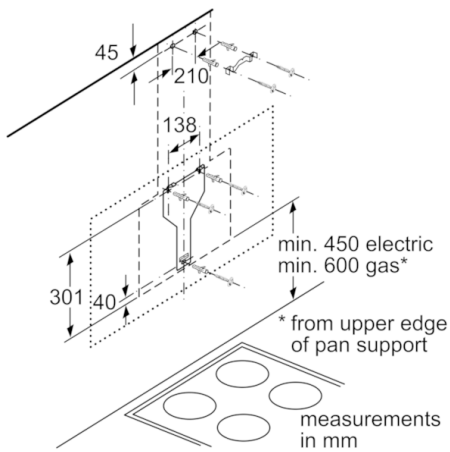
- Suitable for ducted or recirculating operation
- For recirculated extraction recirculating kit or CleanAir recirculating kit (accessory) needed
- Easy installation system
- Extraction rate according to EN 61591 ø 15 cm: max. Normal use 467 m<sup>3</sup>/h Intensive 837 m<sup>3</sup>/h
- Extraction rate according to EN 61591 max. 467 m<sup>3</sup>/h
- Noise level according to EN 60704-3 and EN 60704-2-13 at max. normal use exhaust air: 55 dB(A) re 1 pW (42 dB(A) re 20 µPa sound pressure)
- Noise level according to EN 60704-3 and EN 60704-2-13 exhaust air: Max. normal use: 55 dB(A) re 1 pW (42 dB(A) re 20 µPa sound pressure) Intensive: 67 dB(A) re 1 pW (54 dB(A) re 20 µPa sound pressure)
- Noise level according to EN 60704-3 and EN 60704-2-13 at maximum normal setting: extraction rate: 55 dB (A) re 1pW
- Noise max. Normal Level: 55 dB\*
- Power rating: 166 W
- Light Intensity: 519 lux
- Colour Temperature: 3500 K
- Electrical cable length 1.3 m
- Diameter pipe ø 150 mm (ø 120 mm enclosed)
- Dimensions exhaust air (HxWxD): 957-1227 x 894 x 548 mm
- Dimensions recirculating (HxWxD): 1017-1287 x 894 x 548 mm
- Dimensions recirculating with CleanAir module (HxWxD): 1147 x 894 x 548 mm - mounting with outer chimney 1217-1487 x 894 x 548 mm - mounting with telescopic chimney
- Energy Efficiency Class: A+ (at a range of energy efficiency classes from A++ to E)\*
- Blower Efficiency Class: A\*
- Lighting Efficiency Class: A\*
- Grease Filtering Efficiency Class: B\*
- Average Energy Consumption: 31.5 kWh/year\*

### Optional accessories

- Recirculating kit

\* In accordance with the EU-Regulation No 65/2014

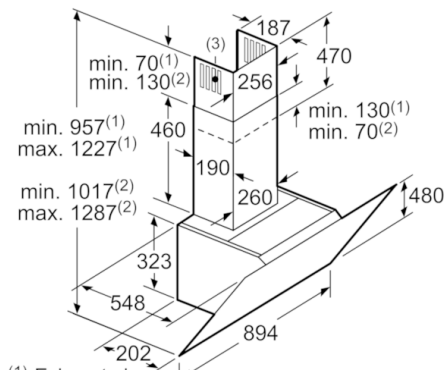
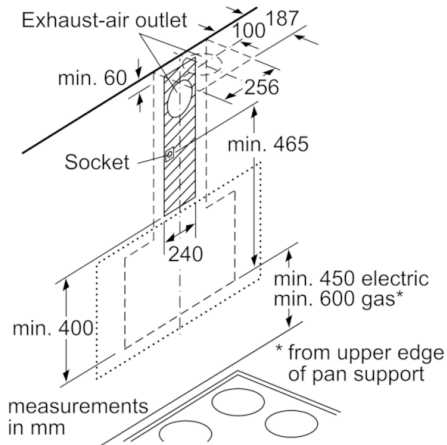
**Serie | 8, Wall-mounted cooker hood, 90 cm,  
clear glass black printed  
DWK98PR60B**



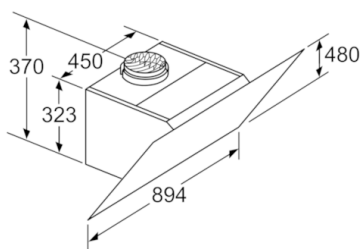
(1) Position  
of socket

Note the maximum  
thickness of the back panel.

measurements in mm

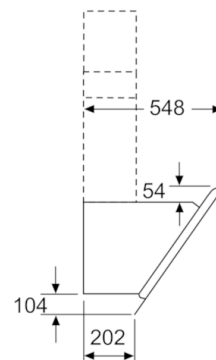


(1) Exhaust air  
(2) Circulated air  
(3) Air outlet – slot for exhaust air to be  
mounted facing down measurements in mm



Appliance in circulated air mode  
without duct  
Circulated air set required

measurements in mm



measurements in mm