

**Serie | 2, canopy cooker hood, 53 cm,  
anthracite  
DLN53AA70B**



**Optional accessories**

DWZ0IN0T0 : Recirculating kit



**Canopy cooker hoods are designed to be fully integrated for more flexibility when planning your kitchen.**

- An impressive extraction rate of 300 m<sup>3</sup>/h ensures this hood will have your kitchen odour free in no time.
- LED lighting is highly energy efficient and provides attractive, white and even lighting for the hob area.

**Technical Data**

Typology :	Traditional
Approval certificates :	CE
Length electrical supply cord (cm) :	150
Required niche size for installation (HxWxD) :	208mm x 493mm x 257mm
Minimum distance above an electric hob :	550
Minimum distance above a gas hob :	650
Net weight (kg) :	4.470
Type of control :	mechanical
Number of speed settings :	3
Maximum output air extraction (m <sup>3</sup> /h) :	300
Maximum output recirculating air (m <sup>3</sup> /h) :	300
Number of lights :	2
Noise level (dB(A) re 1 pW) :	61
Diameter of air outlet (mm) :	120
Grease filter material :	Washable aluminium
EAN code :	4242005095391
Connection Rating (W) :	121
Current (A) :	5
Voltage (V) :	220-240
Frequency (Hz) :	50
Plug type :	GB plug
Installation typology :	Built-in



4 242005 095391

## Serie | 2, canopy cooker hood, 53 cm, anthracite DLN53AA70B

**Canopy cooker hoods are designed to be fully integrated for more flexibility when planning your kitchen.**

### Key performance features:

- Energy Efficiency Class: D (at a range of energy efficiency classes from A++ to E)\*
- Max. extraction rate: 300 m<sup>3</sup>/h
- Noise max. Normal Level: 61 dB\*

### Features

- Slider switch control for extractor speeds and light
- 3 power levels
- Single motor
- 2 x 3W LED
- Colour Temperature: 2700 K
- 1 metal grease filter cassette
- For installation in a kitchen cabinet

### Design

- Canopy hood
- Slider switch control
- Mechanical

### Performance/technical information

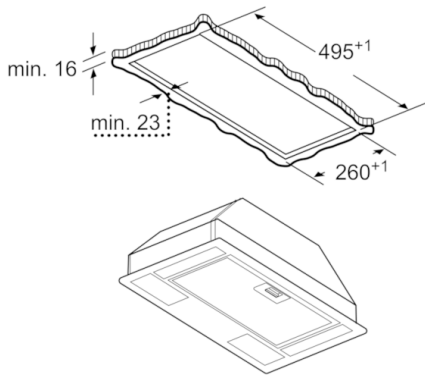
- Suitable for ducted or recirculating operation
- For recirculated extraction recirculating kit (accessory) needed
- Extraction rate according to EN 61591: max. 300 m<sup>3</sup>/h
- Noise level according to EN 60704-3 and EN 60704-2-13 at maximum normal setting: extraction rate: 61 dB(A) re 1 pW (47 dB(A) re 20 µPa sound pressure)
- Noise max. Normal Level: 61 dB\*
- 
- Light Intensity: 78 lux
- Colour Temperature: 2700 K
- Electrical cable length 1.5 m
- Diameter pipe Ø 120 mm (Ø 120 mm enclosed)
- Dimensions exhaust air (HxWxD): 208-208 x 534 x 300 mm
- Dimensions recirculating (HxWxD): 208-208 x 534 x 300 mm
- built-in dimensions (HxWxD): 208 x 493 x 257 mm
- Energy Efficiency Class: D (at a range of energy efficiency classes from A++ to E)\*
- Blower Efficiency Class: E\*
- Lighting Efficiency Class: D\*
- Grease Filtering Efficiency Class: D\*
- Average Energy Consumption: 66.7 kWh/year\*

### Optional accessories

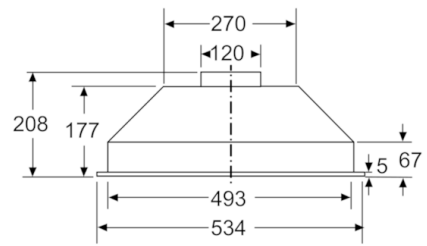
- Recirculating kit

\* In accordance with the EU-Regulation No 65/2014

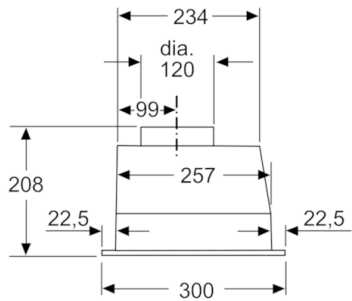
**Serie | 2, canopy cooker hood, 53 cm,  
anthracite  
DLN53AA70B**



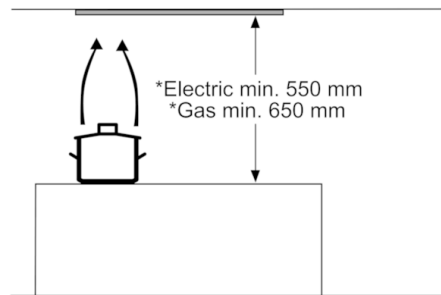
measurements in mm



measurements in mm



measurements in mm



\* from upper edge of pan support  
measurements in mm