

**Serie | 6, Domino electric hob, 30 cm  
PKF375FP1E**



**Optional accessories**

HEZ394301 : Connecting strip

**Dual rings, tough and easy-to-clean glass surfaces and good looks make ceramic hobs a smart addition to your home.**

- **DirectSelect:** Direct, simple selection of the desired cooking zone, power and additional functions.
- **ComfortProfil:** Elegant, appealing design with bevelled front and metal strips on the side.
- **PowerBoost:** selectable boost in power output for a 20% shorter time to boiling.
- **Timer with switch-off function:** Turns off the assigned cooking zone after the set time.

**Technical Data**

Product name/family :	Vario/Domino cooking zone cera
Built-in / Free-standing :	CONSTR_TYPE.Built-in
Energy input :	Electric
Total number of positions that can be used at the same time :	2
Required niche size for installation (HxWxD) :	38 x x
Width of the product (mm) :	306
Dimensions of the product (mm) :	38 x 306 x 527
Dimensions of the packed product (HxWxD) (mm) :	120 x 375 x 590
Net weight (kg) :	4.797
Gross weight (kg) :	6.0
Residual heat indicator :	Separate
Location of control panel :	Hob front
Basic surface material :	Ceramic
Color of surface :	Alu, brushed, Black
Color of frame :	Alu, brushed
Approval certificates :	AENOR, CE
Length of electrical supply cord (cm) :	100
EAN code :	4242002938141
Electrical connection rating (W) :	3500
Current (A) :	16
Voltage (V) :	220-240
Frequency (Hz) :	60; 50



## Serie | 6, Domino electric hob, 30 cm PKF375FP1E

**Dual rings, tough and easy-to-clean glass surfaces and good looks make ceramic hobs a smart addition to your home.**

---

### **Design**

- Profile trim (front facette with side trim)

### **Special features**

- 2 zone Quick-Therm hob
- Standard zone, Dual-circuit cooking zone
- DirectSelect touch control
- Variable 17-stage power settings for each zone
- Digital display
- Timer for all zones
- Timer - shows how long the cooktop is in use
- ReStart function

### **Safety Features**

- Main on/off switch
- Power on indicator light
- 2 stage residual heat indicator for each zone
- Control panel lock
- Automatic safety shut off
- Individual energy consumption display

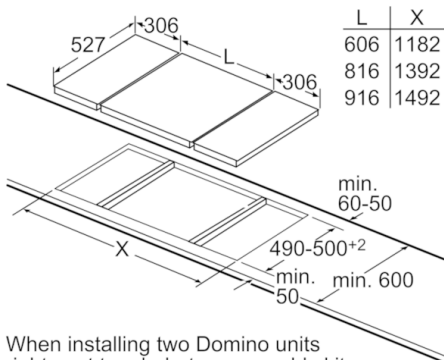
### **Quickness:**

- PowerBoost function

### **Technical information**

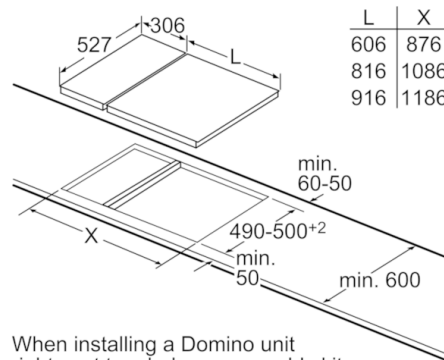
- Appliance dimensions: (W/D) 306 mm x 527 mm
- Installation dimensions: (ID/W/D) 38 mm x 270 mm x 490 mm
- Min. worktop thickness: 20 mm
- Total connected load: 3500 W

## Serie | 6, Domino electric hob, 30 cm PKF375FP1E



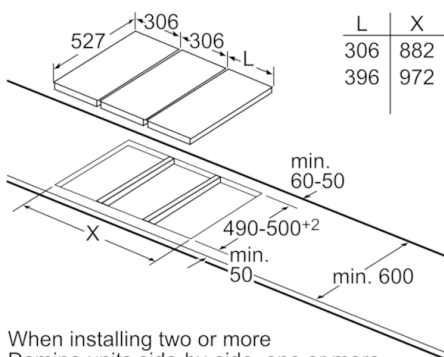
When installing two Domino units right next to a hob, two assembly kits (HEZ394301) are required.

Measurements in mm



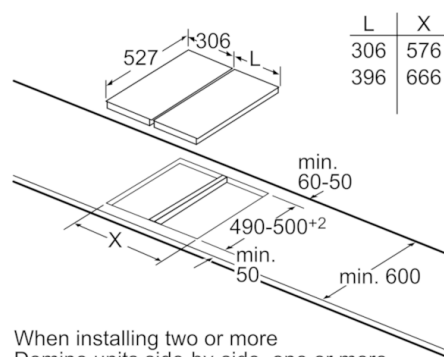
When installing a Domino unit right next to a hob, an assembly kit (HEZ394301) is required.

Measurements in mm



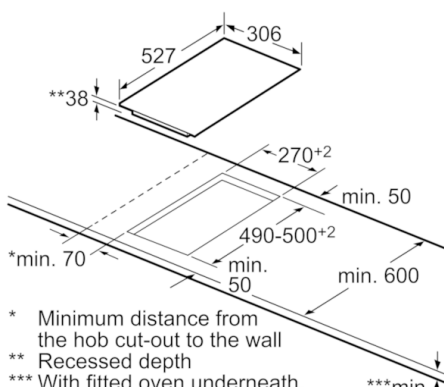
When installing two or more Domino units side-by-side, one or more assembly kits are required (2 units = 1 assembly kit, 3 units = 2 assembly kits, etc).

Measurements in mm



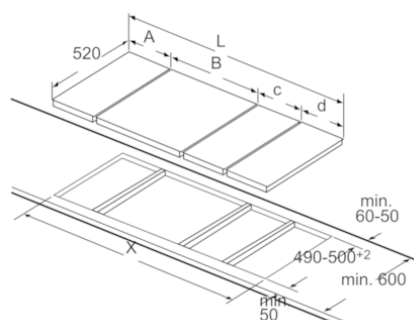
When installing two or more Domino units side-by-side, one or more assembly kits are required (2 units = 1 assembly kit, 3 units = 2 assembly kits, etc).

Measurements in mm



\* Minimum distance from the hob cut-out to the wall  
 \*\* Recessed depth  
 \*\*\* With fitted oven underneath, possibly more; see space requirements for the oven  
 measurements in mm

Picture for the table Domino combination possibilities with corresponding devices and cutout dimensions



If two or more elements are installed right next to one another, one or several installation kits are required (2 elements 1 installation kit, 3 elements 2 installation kits, etc.).

Cutout dimension (X) depending on the combination see table:

## Serie | 6, Domino electric hob, 30 cm PKF375FP1E

measurements in mm  
Domino combination options with  
corresponding appliance and cut-out dimensions

Width category:  
Appliance width:

	A	B	C	D	L	X
2x30	306	306	-	-	612	576
1x30, 1x40	306	396	-	-	702	666
1x30, 1x60	306	606	-	-	912	876
1x30, 1x70*	306	710	-	-	1016	980
1x30, 1x80	306	816	-	-	1122	1086
1x30, 1x90	306	916	-	-	1222	1186
2x40	396	396	-	-	792	756
1x40, 1x60	396	606	-	-	1002	966
1x40, 1x70*	396	710	-	-	1106	1070
1x40, 1x80	396	816	-	-	1212	1176
1x40, 1x90	396	916	-	-	1312	1276
3x30	306	306	306	-	918	882
2x30, 1x40	306	306	396	-	1008	972
2x30, 1x60	306	306	606	-	1218	1182
2x30, 1x70*	306	306	710	-	1322	1286
2x30, 1x80	306	306	816	-	1428	1392
2x30, 1x90	306	306	916	-	1528	1492
1x30, 2x40	306	396	396	-	1098	1062
1x30, 1x40, 1x60	306	396	606	-	1308	1272
1x30, 1x40, 1x70*	306	396	710	-	1412	1376
1x30, 1x40, 1x80	306	396	816	-	1518	1482
1x30, 1x40, 1x90	306	396	916	-	1618	1582
2x40, 1x60	396	396	606	-	1398	1362
4x30	306	306	306	306	1224	1188
3x30, 1x40	306	306	306	396	1314	1278
1x30, 1x75	306	750	-	-	1056	1020
1x40, 1x75	396	750	-	-	1146	1110
2x30, 1x75	306	306	750	-	1362	1326
1x30, 1x40, 1x75	306	396	750	-	1452	1416

\* Not possible with 70 cm induction hob

Assembly kit (HEZ394301)  
for Domino

