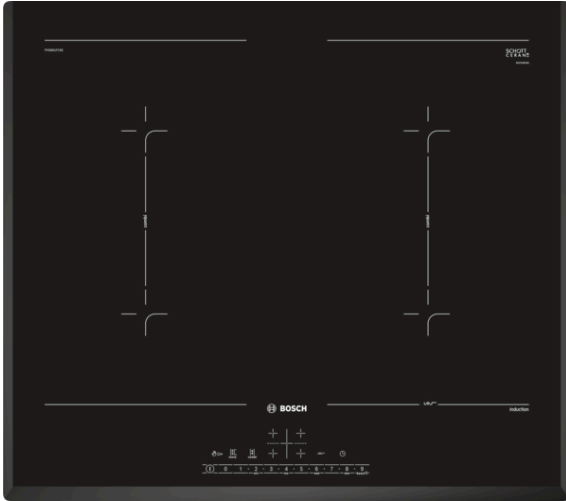


**Serie | 6, Induction hob, 60 cm,
PVQ651FC5E**



Optional accessories

HEZ390042 : Set of 3 pots and 1 pan

The induction hob with PerfectFry: achieve perfect frying results thanks to automatic temperature control.

- **DirectSelect:** Direct, simple selection of the desired cooking zone, power and additional functions.
- **PerfectFry:** For perfect browning of roasted foods thanks to sensor control with 4 power levels.
- **CombiZone:** More flexibility by combining two cooking zones for cooking with even heat distribution for larger cookware like roasters.
- **Induction:** Fast, precise cooking, easy cleaning and low energy consumption.
- **PowerBoost:** Up to 50% more power for faster heating.
- **Timer with switch-off function:** Turns off the assigned cooking zone after the set time.

Technical Data

Product name/family :	Cooking zone ceramic
Construction type :	Built-in
Energy input :	Electric
Total number of positions that can be used at the same time :	4
Required niche size for installation (HxWxD) :	51 x 560-560 x 490-500
Width of the product (mm) :	592
Dimensions of the product (mm) :	51 x 592 x 522
Dimensions of the packed product (HxWxD) (mm) :	126 x 753 x 608
Net weight (kg) :	12.711
Gross weight (kg) :	14.0
Residual heat indicator :	Separate
Location of control panel :	Hob front
Basic surface material :	Ceramic
Color of surface :	Black
Approval certificates :	AENOR, CE
Length of electrical supply cord (cm) :	110
EAN code :	4242005088256
Electrical connection rating (W) :	7400
Voltage (V) :	220-240
Frequency (Hz) :	60; 50



Serie | 6, Induction hob, 60 cm, PVQ651FC5E

The induction hob with PerfectFry: achieve perfect frying results thanks to automatic temperature control.

Design

- Three sided bevelled frameless finish

Special features

- CombiZone
- 2 x zones with different usage possibilities: each has 2 single induction zones of 480 cm² or 1 flexible induction zone of 798 cm²
- 4 induction cooking zones
- DirectSelect
- Digital display
- Variable 17-stage power settings for each zone
- Timer for all zones
 - Timer - shows how long the cooktop is in use
- HighSpeed ceramic glass
- Automatic pan recognition sensor
 - Automatic safety shut off
 - Control panel lock
 - Control panel lock function
- QuickStart function
- ReStart function
- Energy consumption display
- Cable included
- Connection cable (1.1 M)
- Connected load: 7.4 kW

Power and size:

- Cooking zones: 1 x Ø 190 mm, 2.2 KW (max. Power levels 3.7 KW) Induction; 1 x Ø 190 mm, 2.2 KW (max. Power levels 3.7 KW) Induction; 1 x Ø 190 mm, 2.2 KW (max. Power levels 3.7 KW) Induction; 1 x Ø 190 mm, 2.2 KW (max. Power levels 3.7 KW) Induction
- Min. worktop thickness: 30 mm

Safety Features

- 2 stage residual heat indicator for each zone
- Main on/off switch

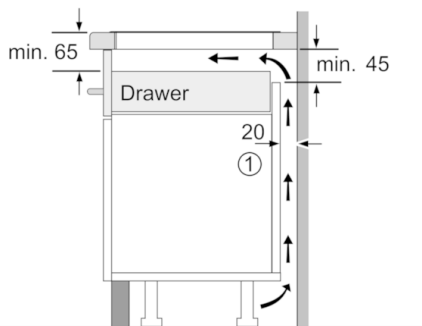
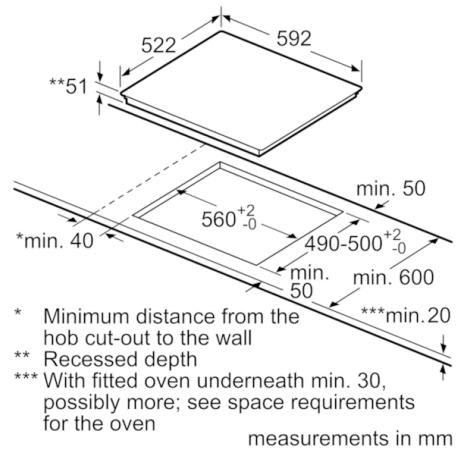
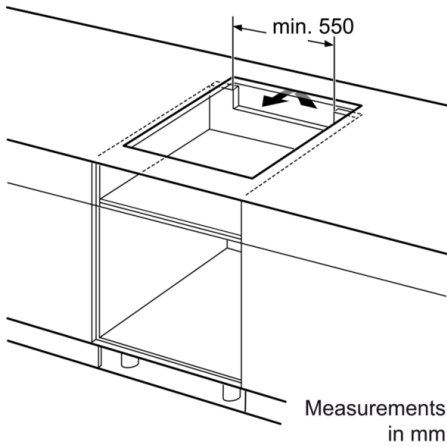
Control:

- PerfectFry sensor with 5 temperature settings

Quickness:

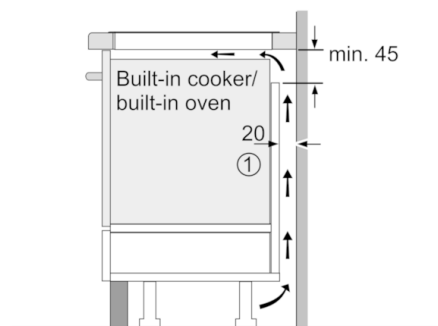
- PowerBoost function for all zones

**Serie | 6, Induction hob, 60 cm,
PVQ651FC5E**



①
Ventilation gap must
be present.

Measurements in mm



①
Ventilation gap must
be present

All measurements in mm