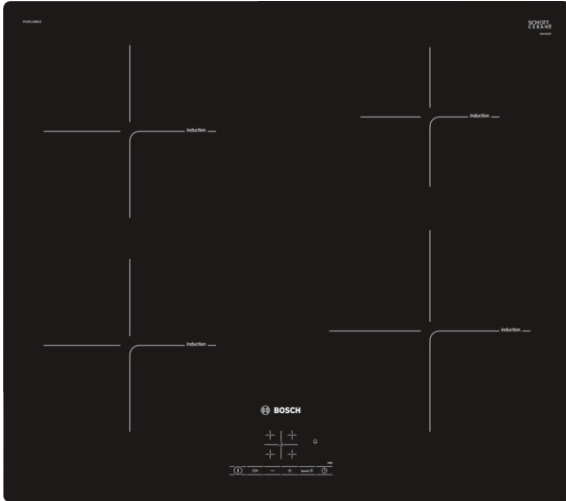


**Serie | 4, Induction hob, 60 cm,
PUE611BB1E**



Optional accessories

HEZ390042 : Set of 3 pots and 1 pan

The Induction hob: Faster than gas and ceramic hobs, induction is easier to clean and more energy efficient.

- **TouchSelect:** Selection of the desired cooking zone and easy setting of the desired power level.
- **Induction:** Fast, precise cooking, easy cleaning and low energy consumption.
- **PowerBoost:** Up to 50% more power for faster heating.
- **Timer with switch-off function:** Turns off the assigned cooking zone after the set time.

Technical Data

Product name/family :	Cooking zone ceramic
Construction type :	Built-in
Energy input :	Electric
Total number of positions that can be used at the same time :	4
Required niche size for installation (HxWxD) :	51 x 560-560 x 490-500
Width of the product (mm) :	592
Dimensions of the product (mm) :	51 x 592 x 522
Dimensions of the packed product (HxWxD) (mm) :	126 x 753 x 603
Net weight (kg) :	11.371
Gross weight (kg) :	13.0
Residual heat indicator :	Separate
Location of control panel :	Hob front
Basic surface material :	Ceramic
Color of surface :	Black
Approval certificates :	AENOR, CE
Length of electrical supply cord (cm) :	110
EAN code :	4242002870502
Electrical connection rating (W) :	4600
Voltage (V) :	220-240
Frequency (Hz) :	50; 60



4 242002 870502

Serie | 4, Induction hob, 60 cm, PUE611BB1E

The Induction hob: Faster than gas and ceramic hobs, induction is easier to clean and more energy efficient.

Key Information

- Electronic control
- TouchControl
- Digital display
- Automatic safety shut off
- Control panel lock
- PowerBoost function for all zones
- Automatic pan recognition sensor
 - Power management options for 16A, 13A or 10A connection
 - Automatic safety shut off
 - Control panel lock

Design

- 592 mm
- Frameless design
- 4 induction cooking zones

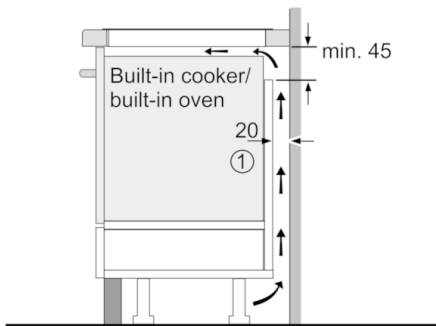
Safety Features

- Variable 17-stage power settings for each zone
- Main on/off switch
- Timer for all zones
 - Timer - shows how long the cooktop is in use
- QuickStart function
- PowerBoost function for all zones
- ReStart function

Performance/technical information

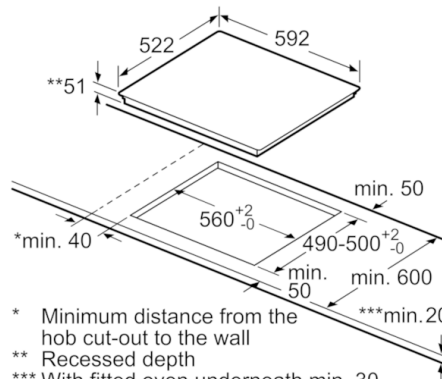
- Connection cable (1.1 M)
- Connected load: 4.6 kW
- Min. worktop thickness: 30 mm
- 2 stage residual heat indicator for each zone
- Cooking zones: 1 x Ø 180 mm, 1.8 KW (max. Power levels 3.1 KW) Induction; 1 x Ø 180 mm, 1.8 KW (max. Power levels 3.1 KW) Induction; 1 x Ø 145 mm, 1.4 KW (max. Power levels 2.2 KW) Induction; 1 x Ø 210 mm, 2.2 KW (max. Power levels 3.7 KW) Induction

**Serie | 4, Induction hob, 60 cm,
PUE611BB1E**



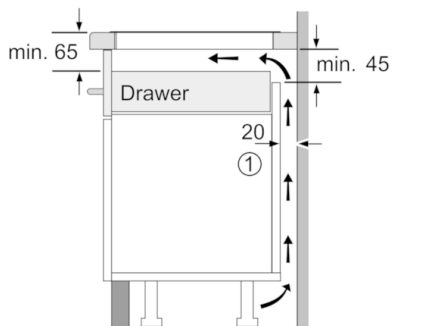
① Ventilation gap must be present

All measurements in mm



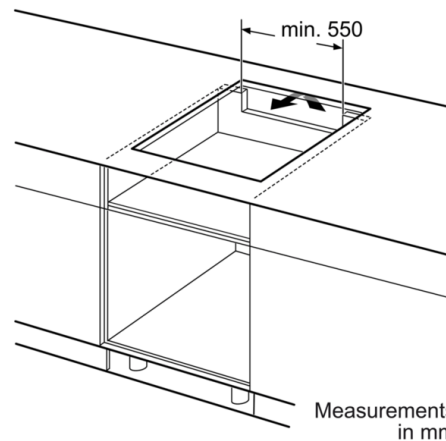
* Minimum distance from the hob cut-out to the wall
 ** Recessed depth
 *** With fitted oven underneath min. 30, possibly more; see space requirements for the oven

measurements in mm

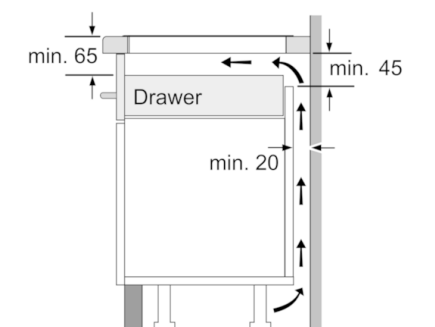


① Ventilation gap must be present.

Measurements in mm



Measurements in mm



Measurements in mm