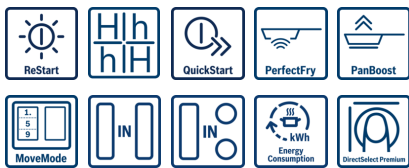


**Serie | 8, Induction hob, 80 cm,  
PXV875DV1E**



**Optional accessories**

- HEZ390011 : Stainless Steel roaster with glas lid
- HEZ390012 : Steaming Rack for Stainless Steel roaste
- HEZ390042 : Set of 3 pots and 1 pan
- HEZ390512 : Teppan Yaki (large)
- HEZ390522 : Griddle Plate

**The induction hob with PerfectFry: achieve perfect frying results thanks to automatic temperature control.**

- **DirectSelect Premium:** Direct, simple selection of the desired cooking zone, power and additional functions.
- **PerfectFry:** For perfect browning of roasted foods thanks to sensor control with 5 power levels.
- **FlexInduction Zone:** Get more flexibility by combining the cooking zones into one big zone for placing small pots and large cookware.
- **Induction:** Fast, precise cooking, easy cleaning and low energy consumption.
- **PowerBoost:** Up to 50% more power for faster heating.
- **Home Connect:** Connected home appliances for an easier everyday life.
- **Cooktop-based hood control:** convenient operation of the hood via your hob (with matching hood)

**Technical Data**

Product name/family :	Cooking zone ceramic
Construction type :	Built-in
Energy input :	Electric
Total number of positions that can be used at the same time :	5
Required niche size for installation (HxWxD) :	51 x 750-780 x 490-500
Width of the product (mm) :	816
Dimensions of the product (mm) :	51 x 816 x 527
Dimensions of the packed product (HxWxD) (mm) :	126 x 953 x 603
Net weight (kg) :	18.545
Gross weight (kg) :	20.0
Residual heat indicator :	Separate
Location of control panel :	Hob front
Basic surface material :	Ceramic
Color of surface :	Alu, brushed, Black
Color of frame :	Alu, brushed
Approval certificates :	AENOR, CE
Length of electrical supply cord (cm) :	110
EAN code :	4242002944289
Electrical connection rating (W) :	7400
Voltage (V) :	220-240
Frequency (Hz) :	60; 50



## Serie | 8, Induction hob, 80 cm, PXV875DV1E

**The induction hob with PerfectFry: achieve perfect frying results thanks to automatic temperature control.**

---

### **Design**

- Profile trim (front facette with side trim)

### **Special features**

- 5 Induction cooking zones
- DirectSelect Premium touch control
- Electronic display
- MoveMode (3 levels)
- Variable 17-stage power settings for each zone
- Timer for all zones
  - Timer - shows how long the cooktop is in use
  - Count up timer per cooktop
- Automatic pan recognition sensor
  - Automatic safety shut off
  - Control panel lock
  - Control panel lock function
- QuickStart function
- ReStart function
- Energy consumption display
- Cable included
- Connection cable (1.1 M )
- Connected load: 7.4 kW

### **Power and size:**

- Cooking zones: 1 x Ø 180 mm, 1.8 kW (max. Power levels 3.1 kW) Induction; 1 x Ø 145 mm, 1.4 kW (max. Power levels 2.2 kW) Induction; 1 x Ø 240 mm, 2.2 kW (max. Power levels 3.7 kW) Induction; 1 x Ø 400 mmx210 mm, 3.3 kW (max. Power levels 3.7 kW) Induction or 2 x Ø 200 mm, 2.2 kW (max. Power levels 3.7 kW) Induction
- Min. worktop thickness: 30 mm

### **Safety Features**

- 2 stage residual heat indicator for each zone
- Main on/off switch

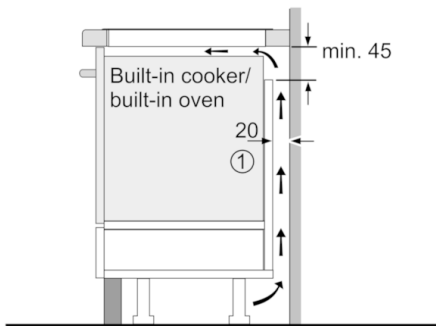
### **Control:**

- PerfectFry sensor with 5 temperature settings

### **Quickness:**

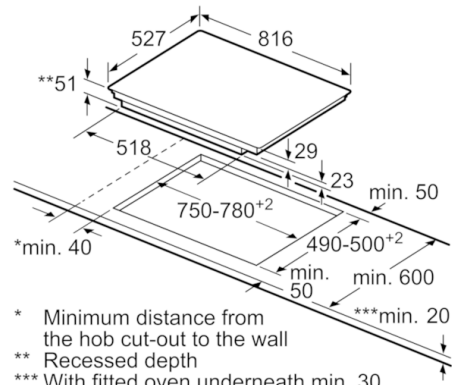
- PowerBoost function for all zones
- PanBoost

**Serie | 8, Induction hob, 80 cm,  
PXV875DV1E**



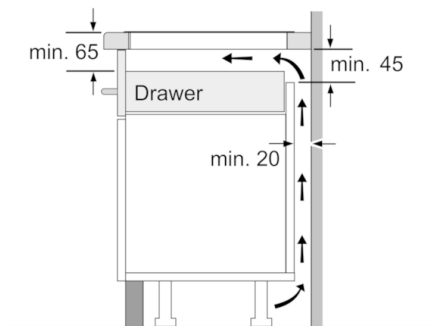
①  
Ventilation gap must  
be present

All measurements in mm

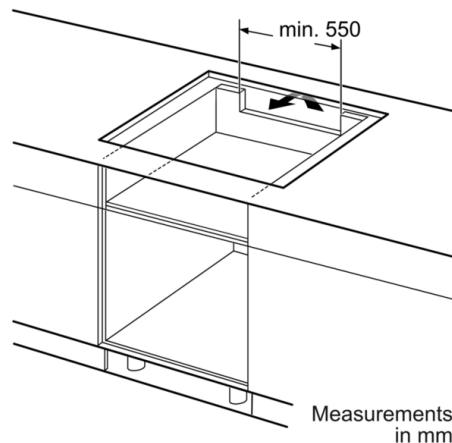


\* Minimum distance from  
the hob cut-out to the wall  
\*\* Recessed depth  
\*\*\* With fitted oven underneath min. 30,  
possibly more; see space requirements  
for the oven

measurements in mm



Measurements in mm



Measurements  
in mm