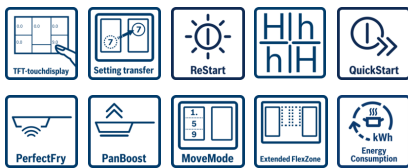
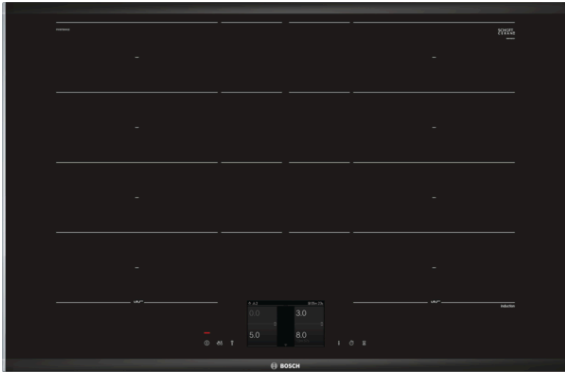


## Serie | 8, Induction hob, 80 cm, PXY875KW1E



### Included accessories

1 x adjustment strip 750 - 780 mm

### Optional accessories

HEZ390011 : Stainless Steel roaster with glas lid  
 HEZ390012 : Steaming Rack for Stainless Steel roaste  
 HEZ390042 : Set of 3 pots and 1 pan  
 HEZ39050 : Wireless temperature sensor for cooktop  
 HEZ390512 : Teppan Yaki (large)  
 HEZ390522 : Griddle Plate

## The induction hob with PerfectCook and PerfectFry: achieve optimal results thanks to automatic temperature control.

- **TFT-touchdisplay:** Clear text and pictures allow simple operation of the integrated touchdisplay.
- **PerfectFry:** For perfect browning of roasted foods thanks to sensor control with 5 power levels.
- **PerfectCook:** the sensor which can be adjusted, prevents overcooking and boiling over by precise controlling the cooking temperature.
- **Assist:** Automatic setting of the ideal power level recommendation of and cooking time for countless dishes.
- **Expanded FlexInduction Zone:** Even more flexibility by connecting the cooking zones into one big zone, which you can make even larger for the big pots.
- **Induction:** Fast, precise cooking, easy cleaning and low energy consumption.
- **PowerBoost:** Up to 50% more power for faster heating.
- **Home Connect:** Connected home appliances for an easier everyday life.
- **Cooktop-based hood control:** convenient operation of the hood via your hob (with matching hood)

### Technical Data

Product name/family :	Cooking zone ceramic
Construction type :	Built-in
Energy input :	Electric
Total number of positions that can be used at the same time :	4
Required niche size for installation (HxWxD) :	51 x 750-780 x 490-500
Width of the product (mm) :	816
Dimensions of the product (mm) :	51 x 816 x 527
Dimensions of the packed product (HxWxD) (mm) :	126 x 953 x 603
Net weight (kg) :	17.403
Gross weight (kg) :	19.0
Residual heat indicator :	Separate
Location of control panel :	Hob front
Color of surface :	Alu, brushed, Black
Color of frame :	Alu, brushed
Approval certificates :	AENOR, CE
Length of electrical supply cord (cm) :	110
EAN code :	4242002949147
Electrical connection rating (W) :	7400
Voltage (V) :	220-240
Frequency (Hz) :	50; 60



4 242002 949147

## Serie | 8, Induction hob, 80 cm, PXY875KW1E

### Quickness:

- PowerBoost function for all zones
- PanBoost

**The induction hob with PerfectCook and PerfectFry: achieve optimal results thanks to automatic temperature control.**

---

### Design

- FullTouch TFT Display
- HomeConnect - Wi-Fi enabled, for hob hood control
- Profile trim (front facette with side trim)

### Special features

- 4 induction cooking zones
- extended FlexInduction zone
- BoschAssist
- 
- MoveMode (3 levels)
- Automatic setting transfer
- Variable 17-stage power settings for each zone
- Timer for all zones
  - Timer - shows how long the cooktop is in use
  - Count up timer per cooktop
- Automatic pan recognition sensor
  - Automatic safety shut off
  - Control panel lock
  - Control panel lock function
- ReStart function
- Energy consumption display
- Cable included
- Connection cable (1.1 M )
- Connected load: 7.4 kW
- HomeConnect - Wi-Fi enabled, for hob hood control

### Power and size:

- Cooking zones: 1 x Ø 400 mmx230 mm, 3.3 KW (max. Power levels 3.7 KW) Induction or 2 x Ø 200 mm, 2.2 KW (max. Power levels 3.7 KW) Induction; 1 x Ø 400 mmx230 mm, 3.3 KW (max. Power levels 3.7 KW) Induction or 2 x Ø 200 mm, 2.2 KW (max. Power levels 3.7 KW) Induction
- Min. worktop thickness: 30 mm

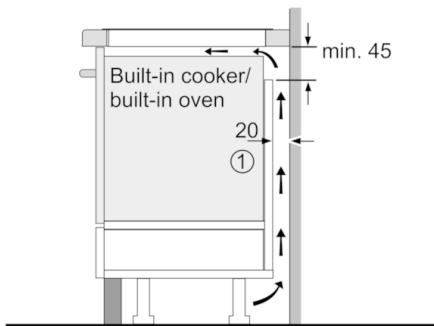
### Safety Features

- 2 stage residual heat indicator for each zone
- Main on/off switch

### Control:

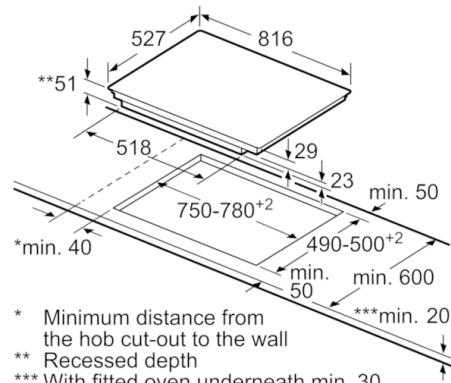
- PerfectFry sensor with 5 temperature settings
- PerfectCook sensor ready (sensor sold seperately)

## Serie | 8, Induction hob, 80 cm, PXY875KW1E



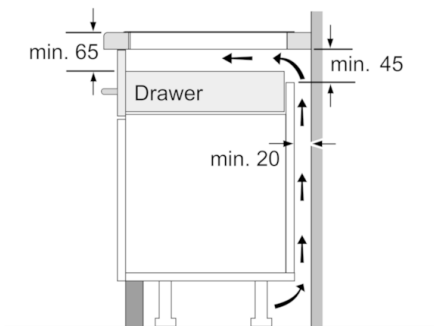
①  
Ventilation gap must  
be present

All measurements in mm

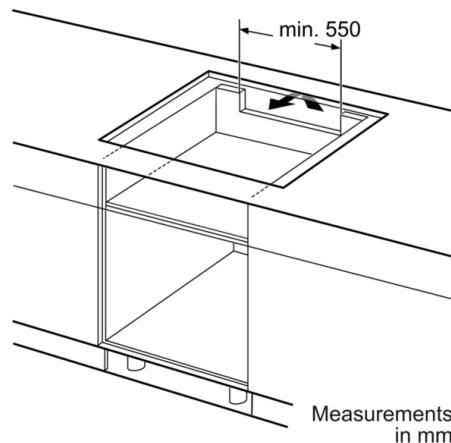


\* Minimum distance from  
the hob cut-out to the wall  
\*\* Recessed depth  
\*\*\* With fitted oven underneath min. 30,  
possibly more; see space requirements  
for the oven

measurements in mm



Measurements in mm



Measurements  
in mm