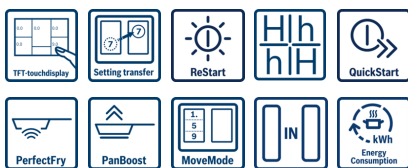


**Serie | 8, Induction hob, 90 cm,  
PXX975KW1E**



**Optional accessories**

- HEZ390011 : Stainless Steel roaster with glas lid
- HEZ390012 : Steaming Rack for Stainless Steel roaste
- HEZ390042 : Set of 3 pots and 1 pan
- HEZ39050 : Wireless temperature sensor for cooktop
- HEZ390512 : Teppan Yaki (large)
- HEZ390522 : Griddle Plate

**The induction hob with PerfectFry: achieve perfect frying results thanks to automatic temperature control.**

- **TFT-touchdisplay:** Clear text and pictures allow simple operation of the integrated touchdisplay.
- **Assist:** Automatic setting of the ideal power level recommendation of and cooking time for countless dishes.
- **FlexInduction Zone:** Get more flexibility by combining the cooking zones into one big zone for placing small pots and large cookware.
- **Home Connect:** Connected home appliances for an easier everyday life.
- **Cooktop-based hood control:** convenient operation of the hood via your hob (with matching hood)
- **PerfectFry:** For perfect browning of roasted foods thanks to sensor control with 5 power levels.
- **PerfectCook:** the sensor which can be adjusted, prevents overcooking and boiling over by precise controlling the cooking temperature.
- **Induction:** Fast, precise cooking, easy cleaning and low energy consumption.
- **PowerBoost:** Up to 50% more power for faster heating.

**Technical Data**

Product name/family :	Cooking zone ceramic
Construction type :	Built-in
Energy input :	Electric
Total number of positions that can be used at the same time :	5
Required niche size for installation (HxWxD) :	51 x 880-880 x 490-500
Width of the product (mm) :	916
Dimensions of the product (mm) :	51 x 916 x 527
Dimensions of the packed product (HxWxD) (mm) :	125 x 1070 x 610
Net weight (kg) :	21.365
Gross weight (kg) :	23.0
Residual heat indicator :	Separate
Location of control panel :	Hob front
Color of surface :	Alu, brushed, Black
Color of frame :	Alu, brushed
Approval certificates :	AENOR, CE
Length of electrical supply cord (cm) :	110
EAN code :	4242002951461
Electrical connection rating (W) :	11100
Voltage (V) :	220-240
Frequency (Hz) :	50; 60



## Serie | 8, Induction hob, 90 cm, PXX975KW1E

**The induction hob with PerfectFry: achieve perfect frying results thanks to automatic temperature control.**

### Control:

- PerfectFry sensor with 5 temperature settings
- PerfectCook sensor ready (sensor sold separately)

### Quickness:

- PowerBoost function for all zones
- PanBoost

### Design

- Profile trim (front facette with side trim)

### Special features

- 2 x flex induction zone zones with different usage possibilities: each has 2 single induction zones of 480 cm<sup>2</sup> or 1 flexible induction zone of 960 cm<sup>2</sup>
- 5 Induction cooking zones
- 
- FullTouch TFT Display
- BoschAssist
- MoveMode (3 levels)
- Automatic setting transfer
- Variable 17-stage power settings for each zone
- Timer for all zones  
Timer - shows how long the cooktop is in use  
Count up timer per cooktop
- HighSpeed ceramic glass
- Automatic pan recognition sensor  
Power management options for 16A, 13A or 10A connection  
Automatic safety shut off  
Control panel lock  
Control panel lock function
- QuickStart function
- ReStart function
- Energy consumption display
- Cable included
- Connection cable (1.1 M )
- Connected load: 11.1 kW
- HomeConnect enabled
- HomeConnect - Wi-Fi enabled, for hob hood control

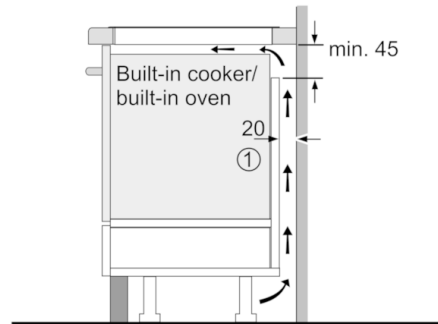
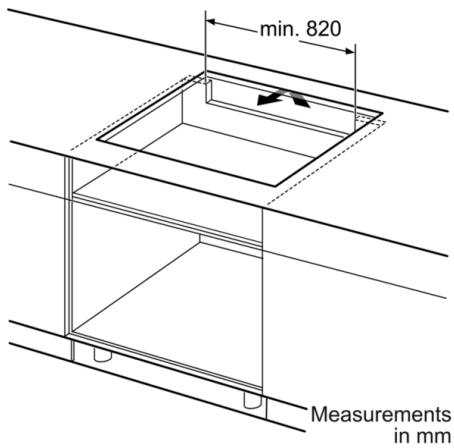
### Power and size:

- Cooking zones: 1 x Ø 400 mmx240 mm, 3.3 KW (max. Power levels 3.7 KW) Induction or 2 x Ø 240 mm, 2.2 KW (max. Powerlevels 3.7 KW) Induction; 1 x Ø 300 mmx240 mm, 2.6 KW (max. Power levels 3.7 KW) Induction; 1 x Ø 400 mmx240 mm, 3.3 KW (max. Power levels 3.7 KW) Induction or 2 x Ø 200 mm, 2.2 KW (max. Power levels 3.7 KW) Induction
- Min. worktop thickness: 30 mm

### Safety Features

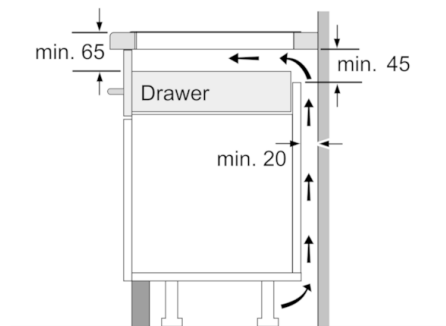
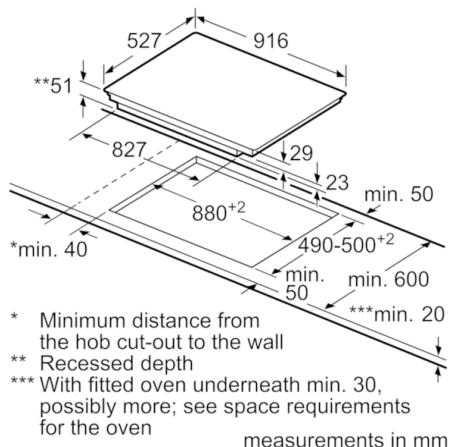
- 2 stage residual heat indicator for each zone
- Main on/off switch

**Serie | 8, Induction hob, 90 cm,  
PXX975KW1E**



①  
Ventilation gap must  
be present

All measurements in mm



Measurements in mm