

**Serie | 4, Induction hob, 60 cm,  
PIE651BB1E**



**Optional accessories**

HEZ390042 : Set of 3 pots and 1 pan

**The Induction hob: Faster than gas and ceramic hobs, induction is easier to clean and more energy efficient.**

- **TouchSelect:** Selection of the desired cooking zone and easy setting of the desired power level.
- **Induction:** Fast, precise cooking, easy cleaning and low energy consumption.
- **U-Bevel:** Elegant, appealing design with bevelled front and sides.
- **PowerBoost:** Up to 50% more power for faster heating.
- **Timer with switch-off function:** Turns off the assigned cooking zone after the set time.

**Technical Data**

Product name/family :	Cooking zone ceramic
Construction type :	Built-in
Energy input :	Electric
Total number of positions that can be used at the same time :	4
Required niche size for installation (HxWxD) :	51 x 560-560 x 490-500
Width of the product (mm) :	592
Dimensions of the product (mm) :	51 x 592 x 522
Dimensions of the packed product (HxWxD) (mm) :	126 x 753 x 603
Net weight (kg) :	12.231
Gross weight (kg) :	13.0
Residual heat indicator :	Separate
Location of control panel :	Hob front
Basic surface material :	Ceramic
Color of surface :	Black
Approval certificates :	AENOR, CE
Length of electrical supply cord (cm) :	110
EAN code :	4242002870298
Electrical connection rating (W) :	7400
Voltage (V) :	220-240
Frequency (Hz) :	50; 60



## Serie | 4, Induction hob, 60 cm, PIE651BB1E

**The Induction hob: Faster than gas and ceramic hobs, induction is easier to clean and more energy efficient.**

---

### Key Information

- 592 mm
- Electronic control
- TouchControl
- Digital display
- Automatic safety shut off
- Control panel lock
- Automatic pan recognition sensor
  - Power management options for 16A, 13A or 10A connection
  - Automatic safety shut off
  - Control panel lock

### Design

- Three sided bevelled frameless finish

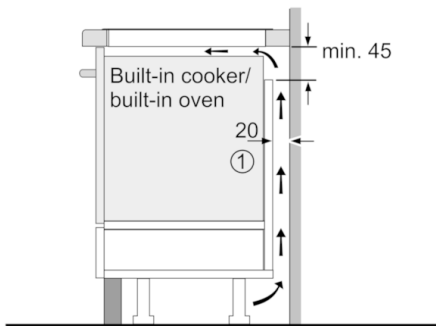
### Features

- Variable 17-stage power settings for each zone
- Main on/off switch
- Timer for all zones
  - Timer - shows how long the cooktop is in use
- HighSpeed ceramic glass
- QuickStart function
- PowerBoost function for all zones
- ReStart function

### Performance/technical information

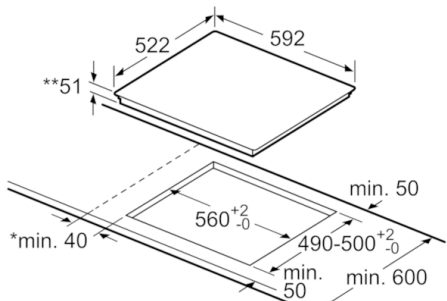
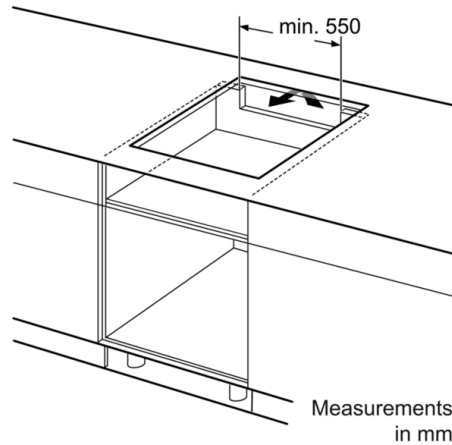
- Connection cable (1.1 M )
- Connected load: 7.4 kW
- Min. worktop thickness: 30 mm
- 2 stage residual heat indicator for each zone
- Cooking zones: 1 x Ø 180 mm, 1.8 KW (max. Power levels 3.1 KW) Induction; 1 x Ø 180 mm, 1.8 KW (max. Power levels 3.1 KW) Induction; 1 x Ø 145 mm, 1.4 KW (max. Power levels 2.2 KW) Induction; 1 x Ø 210 mm, 2.2 KW (max. Power levels 3.7 KW) Induction

**Serie | 4, Induction hob, 60 cm,  
PIE651BB1E**



①  
Ventilation gap must  
be present

All measurements in mm

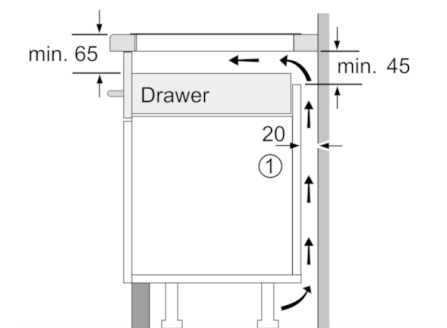


\* Minimum distance from the  
hob cut-out to the wall

\*\* Recessed depth

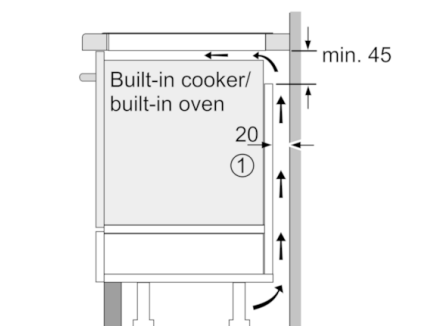
\*\*\* With fitted oven underneath min. 30,  
possibly more; see space requirements  
for the oven

measurements in mm



①  
Ventilation gap must  
be present.

Measurements in mm



①  
Ventilation gap must  
be present

All measurements in mm