

**Serie | 6, Canopy cooker hood, 52 cm,
Stainless steel
DHL575CGB**



Optional accessories

DHZ5316 : Active carbon filter
 DHZ5605 : Recirculating kit
 DSZ4681 : CleanAir active carbon filter
 DSZ4683 : CleanAir Recirculation Kit
 DWZ0IT0P0 : CleanAir act.carbon filter regenerative

Canopy cooker hoods are designed to be fully integrated for more flexibility when planning your kitchen.

- An impressive extraction rate of 615 m³/h ensures this hood will have your kitchen odour free in no time.
- LED lighting is highly energy efficient and provides attractive, white and even lighting for the hob area.
- Intensive speed setting with revert gives a quick intensive 6 min. burst to clear strong odours and then reverts back to the normal setting.

Technical Data

Typology :	Traditional
Approval certificates :	CE, VDE
Length of electrical supply cord (cm) :	150
Required niche size for installation (HxWxD) :	418mm x 496mm x 264mm
Minimum distance above an electric hob :	500
Minimum distance above a gas hob :	650
Net weight (kg) :	7.498
Type of control :	Electronic
Maximum output air extraction (m ³ /h) :	560
Boost position output recirculating (m ³ /h) :	300
Maximum output recirculating air (m ³ /h) :	290
Boost position air extraction (m ³ /h) :	615
Number of lights (Stck) :	2
Noise level (dB(A) re 1 pW) :	67
Diameter of air outlet (mm) :	120 / 150
Grease filter material :	Washable aluminium
EAN code :	4242002831169
Connection rating (W) :	252
Current (A) :	3
Voltage (V) :	220-240
Frequency (Hz) :	50
Plug type :	GB plug
Installation type :	Built-in



Serie | 6, Canopy cooker hood, 52 cm, Stainless steel DHL575CGB

* In accordance with the EU-Regulation No 65/2014

Canopy cooker hoods are designed to be fully integrated for more flexibility when planning your kitchen.

Key Information

- Electronic control via Soft touch button control

Design

- For installation in a kitchen cabinet
- 52 cm wide
- Brushed steel

Features

- Soft touch button control with Electronic display
- 3 power levels & intensive setting
- Automatic intensive revert (6mins)
- Rim ventilation
- 2 x 1W LED
- 1 removable metal grease filter cassette
- Filter cover stainless steel, Removable metal grease filters

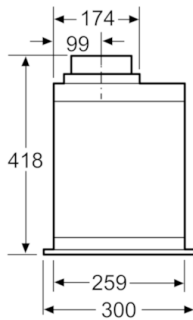
Performance/technical information

- Suitable for ducted or recirculating operation
- Extraction rate exhaust air according to EN 61591:
max. normal use 560 m³/h, intensive 615 m³/h
- Power rating: 252 W
- Noise level according to EN 60704-3 and EN 60704-2-13
exhaust air:
Max. normal use: 67 dB(A) re 1 pW (53 dB(A) re 20 µPa sound pressure)
Intensive: 70 dB(A) re 1 pW (56 dB(A) re 20 µPa sound pressure)
- Noise max. Normal Level: 67 dB*
- Average Energy Consumption: 90.2 kWh/year*
- Energy Efficiency Class: C (at a range of energy efficiency classes from A++ to E)*
- Blower Efficiency Class: C*
- Lighting Efficiency Class: A*
- Grease Filtering Efficiency Class: D*
- Dimensions exhaust air (HxWxD): 418-418 x 520 x 300 mm
- Dimensions recirculating (HxWxD): 418-418 x 520 x 300 mm
- Diameter pipe Ø 150 mm (Ø 120 mm enclosed)
- Light Intensity: 244 lux
- Colour Temperature: 4000 K

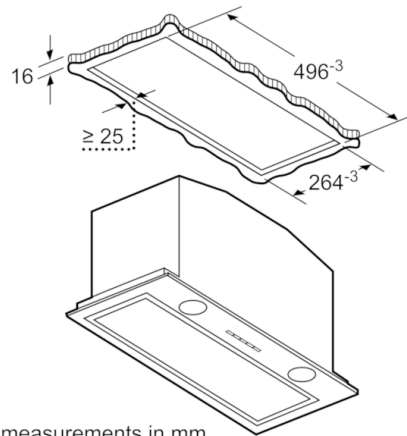
Accessories

- For recirculated extraction recirculating kit or CleanAir recirculating kit (accessory) needed

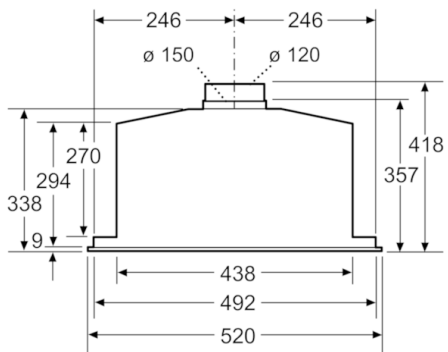
**Serie | 6, Canopy cooker hood, 52 cm,
Stainless steel
DHL575CGB**



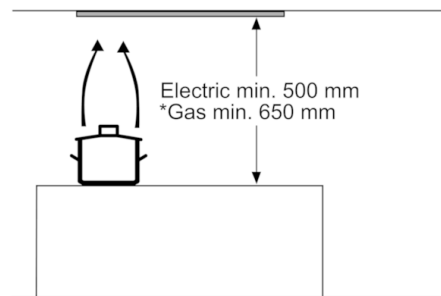
measurements in mm



measurements in mm



measurements in mm



* from upper edge of pan support

measurements in mm