

**Serie | 8, Built-in microwave oven,
Stainless steel
BFL634GS1B**



Optional accessories

HEZ6UCC0 : Cookbook

**The built-in microwave for the 38 cm niche:
use it for thawing, heating and perfect
preparation of foods.**

- **AutoPilot 7:** every dish is a perfect success thanks to 7 pre-set automatic programmes.
- **Automatic weight option:** choose the programme and enter the weight and the microwave oven will do the rest.
- **Side-opening door:** convenient opening thanks to left-hinged door.

Technical Data

Type of micro-wave oven :	MW only
Type of control :	Electronic
Color / Material Front :	Stainless steel
Dimensions of the product (mm) :	382 x 594 x 318
Cavity dimensions (mm) :	220 x 350 x 270
Length of electrical supply cord (cm) :	150
Net weight (kg) :	15.976
Gross weight (kg) :	18.0
EAN code :	4242002813776
Maximum micro-wave power (W) :	900
Connection rating (W) :	1220
Current (A) :	10
Voltage (V) :	220-240
Frequency (Hz) :	60; 50
Plug type :	GB plug



4 242002 813776

Serie | 8, Built-in microwave oven, Stainless steel BFL634GS1B

**The built-in microwave for the 38 cm niche:
use it for thawing, heating and perfect
preparation of foods.**

Design

- 2.5"-TFT colour and text display with direct select buttons
- Side opening door, left hinged
- Stainless steel control wheel, Touch controls
- Electronic open button
- Cavity inner surface: Glass bottom

Features

- Start button
- Intelligent microwave inverter technology: For optimised results maximum output power will be regulated to 600 W when used in longer operation for gentler cooking.
- AutoPilot7
- Electronic clock timer
- LED light
- Integral cooling fan

Cleaning

- Full glass inner door

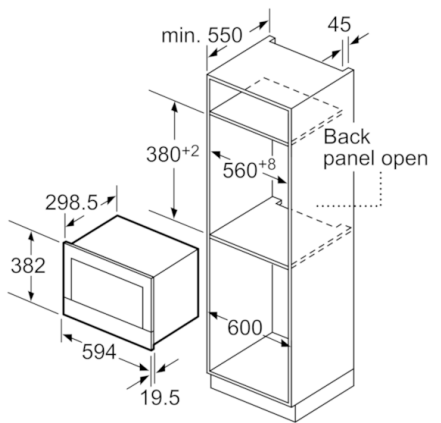
Programmes/functions

- Additional heating methods with microwave: Microwave
- AutoPilot7
- 3 defrost and 4 cooking programmes
- Max. Power: 900 W; 5 Microwave power settings (90 W,180 W,360 W,600 W,900 W)

Performance/technical information

- Cavity volume: 21 l
- Stirrer fan distribution
- Microwave inverter technology
- Length of mains cable: 150 cm
- Total connected load electric: 1.22 KW
- Nominal voltage: 220 - 240 V
- Appliance dimension (hxwxd): 382 mm x 594 mm x 318 mm
- Niche dimension (hxwxd): 362 mm - 382 mm x 560 mm - 568 mm x 300 mm
- Please refer to the dimensions provided in the installation manual

Serie | 8, Built-in microwave oven, Stainless steel
BFL634GS1B



measurements in mm