

**Serie | 8, Built-in warming drawer, 29 cm
BID630NS1B**



The multifunctional 29cm warming drawer pre-heats plates, keeps food warm and even cooks at low temperatures.

- The push-pull mechanism makes opening and closing a breeze, great for when you're busy in the kitchen.
- The hotplate is made of tempered glass, which is durable and easy to clean.

Technical Data

Construction type :	Built-in
Color / Material Front :	Stainless steel
Maximum number of plates :	40
Maximum number of espresso cups :	192
Dimensions of the product (mm) :	290 x 594 x 548
Dimensions of the packed product (HxWxD) (mm) :	350 x 650 x 660
Required niche size for installation (HxWxD) :	290 x 560 x 550
EAN code :	4242002813936
Electrical connection rating (W) :	810
Current (A) :	10
Voltage (V) :	220-240
Frequency (Hz) :	60; 50
Plug type :	GB plug

Optional accessories

HEZ6WCC0 : Cookbook



Serie | 8, Built-in warming drawer, 29 cm BID630NS1B

**The multifunctional 29cm warming drawer
pre-heats plates, keeps food warm and even
cooks at low temperatures.**

Design

- Push-pull opening mechanism

Features

- Can accommodate up to:
 - 40 plates
 - 192 espresso cups
- Loading up to 25 kg
- Adjustable temperature range from 40-80°C
- Rotary dial

Cleaning

- Easy to clean toughened glass heating plate

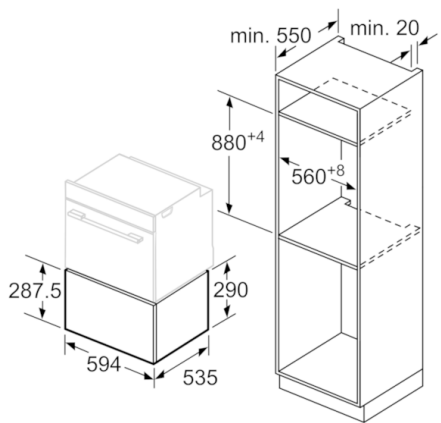
Programmes/functions

- Food warming and defrosting
(3 settings)
Cookware and utensil warming
(1 setting)
- 4 functions:
Dough proving, defrost, hold warm, plate warming

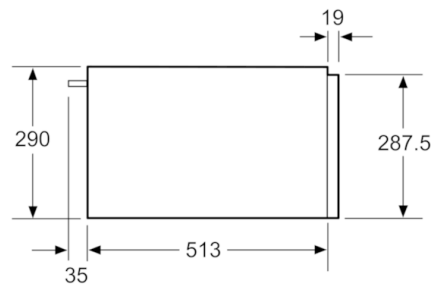
Performance/technical information

- Cavity volume: 52 litres
- Length of mains cable: 150 cm
- Connected load: 0.81 kW
- Nominal voltage: 220 - 240 V
- Temperature control in 4 levels: ca. 30°C - 80°C (glass surface temperature)
- Appliance dimension (hxwxd): 290 mm x 594 mm x 548 mm
- Niche dimension (hxwxd): 290 mm x 560 mm - 568 mm x 550 mm
- Please refer to the dimensions provided in the installation manual

**Serie | 8, Built-in warming drawer, 29 cm
 BID630NS1B**



measurements in mm



measurements in mm

Ovens with an appliance height of 595 mm can be installed above a warming drawer. An intermediate floor is not required.