

**Serie | 8, Built-in microwave oven,
Stainless steel
CFA634GS1B**



Included accessories

1 x Glass tray

A great partner for the kitchen, the built-in compact microwave defrosts, heats and cooks helping you prepare food in the kitchen.

- **Automatic weight option:** choose the programme and enter the weight and the microwave oven will do the rest.

Technical Data

Type of micro-wave oven :	MW only
Color / Material Front :	Stainless steel
Dimensions of the product (mm) :	455 x 595 x 545
Cavity dimensions (mm) :	242.0 x 430 x 345.0
Length of electrical supply cord (cm) :	150
Net weight (kg) :	26.062
Gross weight (kg) :	30.0
EAN code :	4242002937892
Maximum micro-wave power (W) :	900
Connection rating (W) :	1220
Current (A) :	10
Voltage (V) :	220-240
Frequency (Hz) :	50
Plug type :	GB plug



4 242002 937892

Serie | 8, Built-in microwave oven, Stainless steel CFA634GS1B

A great partner for the kitchen, the built-in compact microwave defrosts, heats and cooks helping you prepare food in the kitchen.

Design

- 2.5"-TFT colour and text display with direct select buttons
- Drop down door
- Stainless steel control wheel, Start button, Touch controls
- Straight bar handle
- Cavity inner surface: Glass bottom

Features

- Automatic safety switch off
Start button
Door contact switch
- Intelligent microwave inverter technology: For optimised results maximum output power will be regulated to 600 W when used in longer operation for gentler cooking.
- AutoPilot7
- Automatic programmes
- LED light
- Integral cooling fan

Cleaning

- Full glass inner door

Programmes/functions

- Additional heating methods with microwave: Microwave
- AutoPilot7
- 3 defrost and 4 cooking programmes
- Max. Power: 900 W; 5 Microwave power settings (90 W,180 W,360 W,600 W,900 W)

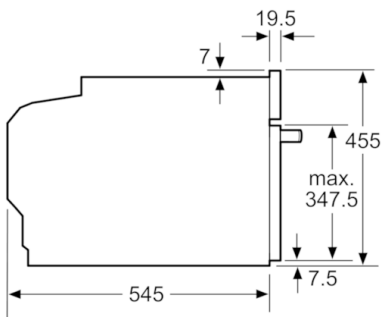
Standard accessories

- 1 x Glass tray

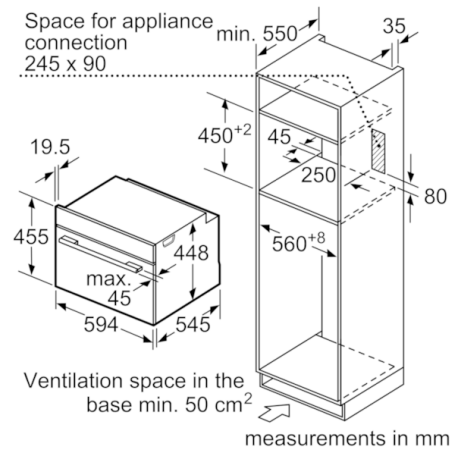
Performance/technical information

- Cavity volume: 36 l
- Stirrer fan distribution
- Microwave inverter technology
- Length of mains cable: 150 cm
- Total connected load electric: 1.22 KW
- Nominal voltage: 220 - 240 V
- Appliance dimension (hxwxh): 455 mm x 595 mm x 545 mm
- Niche dimension (hxwxh): 450 mm - 450 mm x 560 mm - 560 mm x 550 mm
- Please refer to the dimensions provided in the installation manual

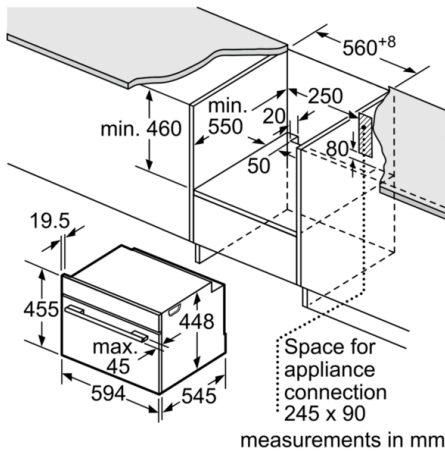
Serie | 8, Built-in microwave oven, Stainless steel
CFA634GS1B



measurements in mm



measurements in mm



measurements in mm