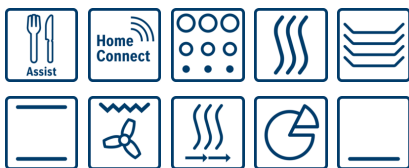


Serie | 8, built-in compact oven with microwave function, Stainless steel CMG676BS6B



The compact oven with microwave function: enables you to achieve perfect baking and roasting results very quickly.

- Drop down door with SoftClose mechanism
- **BoschAssist:** automatic setting of the optimal type of heat, temperature and time for countless dishes.
- **TFT touchscreen control:** easy-to-use thanks to the control ring with full text and images.
- **Pyrolytic self-cleaning:** no cleaning effort thanks to automatic self-cleaning. Incl pyrolytic proof rails.
- **Home Connect:** home appliances with smart connectivity for an easier everyday life.

Technical Data

Type of micro-wave oven :	MW-Combi
Type of control :	Electronic
Color / Material Front :	Stainless steel
Dimensions of the product (mm) :	455 x 594 x 548
Cavity dimensions (mm) :	237.0 x 480 x 392.0
Length electrical supply cord (cm) :	150
Net weight (kg) :	37.727
Gross weight (kg) :	40.0
EAN code :	4242002932538
Maximum micro-wave power (W) :	900
Connection Rating (W) :	3600
Current (A) :	16
Voltage (V) :	220-240
Frequency (Hz) :	60; 50
Plug type :	no plug

Included accessories

- 1 x combination grid
- 1 x universal pan

Optional accessories

- HEZ625071 : Grill tray, anthracite enamelled
- HEZ631070 : Baking tray, anthracite enamelled
- HEZ636000 : Glass pan
- HEZ660060 : Strip
- HEZ6NCFO : Cookbook
- HEZ915003 : Glass roasting dish, 5,4 L



Serie | 8, built-in compact oven with microwave function, Stainless steel CMG676BS6B

The compact oven with microwave function: enables you to achieve perfect baking and roasting results very quickly.

Design

- 3x 2,5"-TFT colour and graphics display with direct touch function
- Drop down door, SoftClose, SoftOpen
- Stainless steel control wheel
- Straight bar handle
- Cavity inner surface: Enamel anthracite

Features

- Digital temperature display with proposal
Actual temperature display
Heating-up indicator
Sabbath setting
- Electronic door lock
Control panel lock
Automatic safety switch off
Residual heat indicator
Start button
Door contact switch
- Intelligent microwave inverter technology: For optimised results maximum output power will be regulated to 600 W when used in longer operation for gentler cooking.
- BoschAssist
- Electronic clock timer
- Main on/off switch
- LED light
- Light on/off when oven door opened/closed
- 3 shelf positions
- Integral cooling fan

Cleaning

- Pyrolytic self-cleaning function
- Microwave top door

Programmes/functions

- Compact oven with microwave with 12 heating methods:
4D Hotair, Hotair Gentle, conventional top and bottom heat, conventional heat Gentle, Hotair grilling, full width variable grill, half width grill, pizza function, bottom heat, low temperature cooking, plate warming, keep warm
- Additional heating methods with microwave: Microwave, Combi microwave variable
- Max. Power: 900 W; 5 Microwave power settings (90 W,180 W,360 W,600 W,900 W)
- Fast pre-heating function

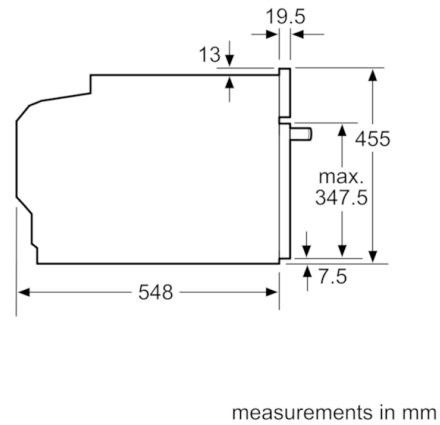
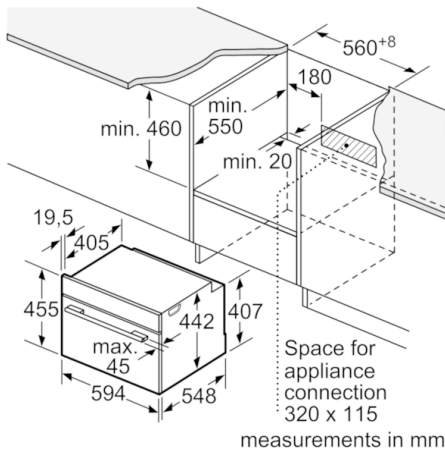
Standard accessories

- 1 x combination grid, 1 x universal pan

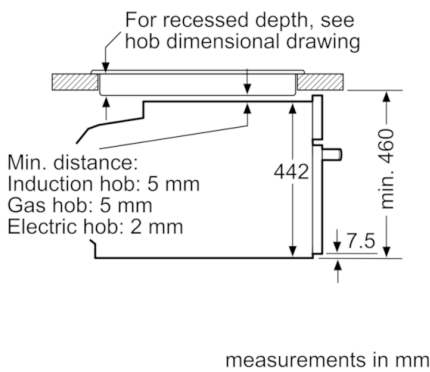
Performance/technical information

- Cavity volume: 45 l
- Stirrer fan distribution
- Microwave inverter technology
- Length of mains cable: 150 cm
- Total connected load electric: 3.6 KW
- Nominal voltage: 220 - 240 V
- Appliance dimension (hxwxd): 455 mm x 594 mm x 548 mm
- Niche dimension (hxwxd): 450 mm - 455 mm x 560 mm - 568 mm x 550 mm
- Please refer to the dimensions provided in the installation manual

Serie | 8, built-in compact oven with microwave function, Stainless steel CMG676BS6B



Installation with a hob.



If the compact appliance will be installed underneath a hob, the following worktop thicknesses (including substructure if necessary) must be taken into account.

Hob type	min. worktop thickness	
	fitted	flush
Induction hob	42 mm	43 mm
Full surface Induction hob	52 mm	53 mm
Gas hob	32 mm	43 mm
Electric hob	32 mm	35 mm

