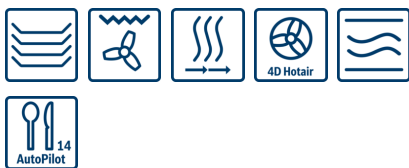


Serie | 8, Built-in compact oven with microwave function, Black CMG633BB1B



The compact oven with microwave function: enables you to achieve perfect baking and roasting results very quickly.

- **AutoPilot 14:** every dish is a perfect success thanks to 14 pre-set automatic programmes.
- **TFT display control:** easy-to-use thanks to the control ring with full text and symbols.
- **ColorGlass:** black glass front as a brilliant alternative to stainless steel.
- **LED lighting:** perfect illumination of foods with minimum energy consumption.
- Drop down door with SoftClose mechanism

Technical Data

Type of micro-wave oven :	MW-Combi
Type of control :	Electronic
Color / Material Front :	Black
Dimensions of the product (mm) :	455 x 594 x 548
Cavity dimensions (mm) :	237.0 x 480 x 392.0
Length of electrical supply cord (cm) :	150
Net weight (kg) :	35.427
Gross weight (kg) :	38.0
EAN code :	4242002834993
Maximum micro-wave power (W) :	900
Connection rating (W) :	3600
Current (A) :	16
Voltage (V) :	220-240
Frequency (Hz) :	60; 50
Plug type :	no plug

Included accessories

- 1 x combination grid
- 1 x universal pan

Optional accessories

- HEZ625071 : Grill tray, anthracite enamelled
- HEZ631010 : Baking tray, non-stick coated
- HEZ631070 : Baking tray, anthracite enamelled
- HEZ636000 : Glass pan
- HEZ660060 : Strip
- HEZ6ACCO : Cookbook
- HEZ915003 : Glass roasting dish, 5,4 L



Serie | 8, Built-in compact oven with microwave function, Black CMG633BB1B

The compact oven with microwave function: enables you to achieve perfect baking and roasting results very quickly.

Design

- 2.5"-TFT colour and text display with direct select buttons
- Drop down door, SoftClose, SoftOpen
- Stainless steel control wheel
- Straight bar handle
- Cavity inner surface: Enamel anthracite

Features

- Digital temperature display with proposal
Actual temperature display
Heating-up indicator
AutoPilot
- Control panel lock
Automatic safety switch off
Residual heat indicator
Start button
Door contact switch
- Intelligent microwave inverter technology: For optimised results maximum output power will be regulated to 600 W when used in longer operation for gentler cooking.
- AutoPilot14
- Automatic programmes
- Electronic clock timer
- Main on/off switch
- LED light
- Light on/off when oven door opened/closed
- 3 shelf positions
- Integral cooling fan

Cleaning

- Microwave top door

Programmes/functions

- Compact oven with microwave with 6 heating methods: 4D Hotair, Hotair Gentle, Hotair grilling, full width variable grill, half width grill, plate warming
- Additional heating methods with microwave: Microwave, Combi microwave constant
- AutoPilot14
- Max. Power: 900 W; 5 Microwave power settings (90 W,180 W,360 W,600 W,900 W)
- Fast pre-heating function

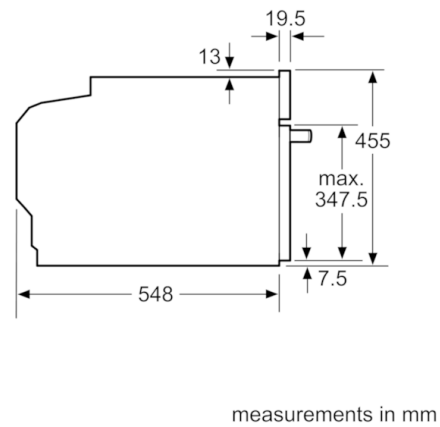
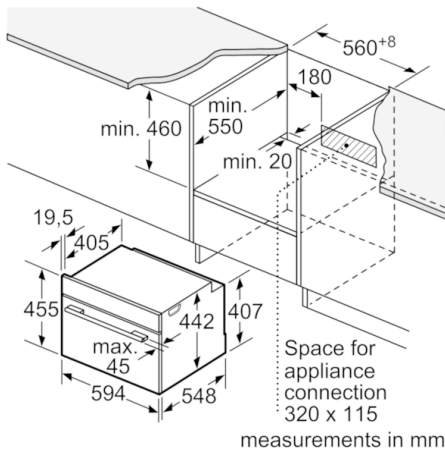
Standard accessories

- 1 x combination grid, 1 x universal pan

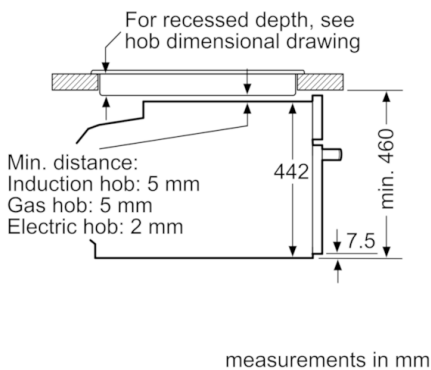
Performance/technical information

- Cavity volume: 45 l
- Stirrer fan distribution
- Microwave inverter technology
- Length of mains cable: 150 cm
- Total connected load electric: 3.6 KW
- Nominal voltage: 220 - 240 V
- Appliance dimension (hxwxh): 455 mm x 594 mm x 548 mm
- Niche dimension (hxwxh): 450 mm - 455 mm x 560 mm - 568 mm x 550 mm
- Please refer to the dimensions provided in the installation manual

Serie | 8, Built-in compact oven with microwave function, Black CMG633BB1B



Installation with a hob.



If the compact appliance will be installed underneath a hob, the following worktop thicknesses (including substructure if necessary) must be taken into account.

Hob type	min. worktop thickness	
	fitted	flush
Induction hob	42 mm	43 mm
Full surface Induction hob	52 mm	53 mm
Gas hob	32 mm	43 mm
Electric hob	32 mm	35 mm

