

Serie | 8, built-in oven, Black HBG6764B6B


A+


The built-in oven with PerfectBake and PerfectRoast: you get perfect baking and roasting results – automatically.

- **PerfectBake Sensor and PerfectRoast thermometer:** the easy way to perfect baking and roasting results.
- **4D Hot Air:** even heat distribution for perfect results – on any level.
- **Pyrolytic self-cleaning:** no cleaning effort thanks to automatic self-cleaning.
- **BoschAssist:** automatic setting of the optimal type of heat, temperature and time for countless dishes.
- **TFT touchscreen control:** easy-to-use thanks to the control ring with full text and images.
- **Home Connect:** home appliances with smart connectivity for an easier everyday life.

Technical Data

Color / Material Front :	Black
Built-in / Free-standing :	Built-in
Integrated Cleaning system :	Pyrolytic
Required niche size for installation (HxWxD) :	

585-595 x 560-568 x 550

Dimensions of the product (mm) : 595 x 594 x 548

Dimensions of the packed product (HxWxD) (mm) :

670 x 680 x 670

Control Panel Material : Glass

Door Material : Glass

Net weight (kg) : 38.966

Usable volume (of cavity) - cavity 1 (l) : 71

Cooking method :

, 4D hot air, Bottom heat, Conventional heat, Defrost, Full width grill, Half width grill, Hot Air-Eco, Hot air grilling, low temperature cooking, Pizza setting, pre-heating, warming

First cavity material : Enamelled

Temperature control : electronic

Number of interior lights : 1

Approval certificates : CE, VDE

Length electrical supply cord (cm) : 120

EAN code : 4242002932507

Number of cavities (2010/30/EC) : 1

Energy efficiency class (2010/30/EC) : A+

Energy consumption per cycle conventional (2010/30/EC) :

0.87

Energy consumption per cycle forced air convection (2010/30/EC) :

0.69

Energy efficiency index (2010/30/EC) :

81.2

Electrical connection rating (W) :

3600

Current (A) :

16

Voltage (V) :

220-240

Frequency (Hz) :

50; 60

Plug type :

no plug

Included accessories

- 1 x combination grid
- 1 x universal pan

Optional accessories

- HEZ625071 : Grill tray, anthracite enamelled
- HEZ631010 : Baking tray, non-stick coated
- HEZ631070 : Baking tray, anthracite enamelled
- HEZ634000 : Baking and roasting grid (standard)
- HEZ636000 : Glass pan
- HEZ638370 : 3 level telescopic rails, full ext,pyro
- HEZ6ECF0 : Cookbook
- HEZ915003 : Glass roasting dish, 5,4 L



4 242002 932507

Serie | 8, built-in oven, Black HBG6764B6B

The built-in oven with PerfectBake and PerfectRoast: you get perfect baking and roasting results – automatically.

Design

- 3x 2,5"-TFT colour and graphics display with direct touch function
- Drop down door, SoftClose, SoftOpen
- Stainless steel control wheel
- Straight bar handle
- Cavity inner surface: Enamel anthracite

Features

- Digital temperature display with proposal
Actual temperature display
Heating-up indicator
Sabbath setting
- Control panel lock
Automatic safety switch off
Residual heat indicator
Start button
Door contact switch
- BoschAssist
- PerfectBake sensor
PerfectRoast meatprobe
- Electronic clock timer
- Main on/off switch
- Interior lights, halogen
- Light on/off when oven door opened/closed
- 5 shelf positions
- Info button

Cleaning

- Pyrolytic self-cleaning function
- Full glass inner door

Programmes/functions

- Oven with 13 heating methods: 4D Hotair, Hotair Gentle, conventional top and bottom heat, conventional heat Gentle, Hotair grilling, full width variable grill, half width grill, pizza function, bottom heat, low temperature cooking, defrost, plate warming, keep warm
- Fast pre-heating function

Standard accessories

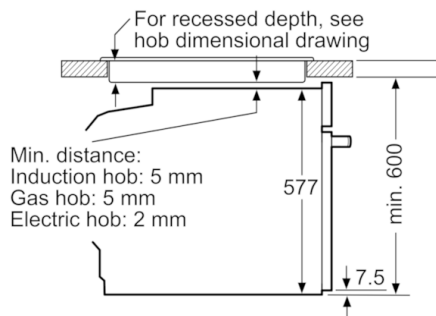
- 1 level telescopic shelf, full extension, Stop function, pyrolytic proof
- 1 x combination grid, 1 x universal pan

Performance/technical information

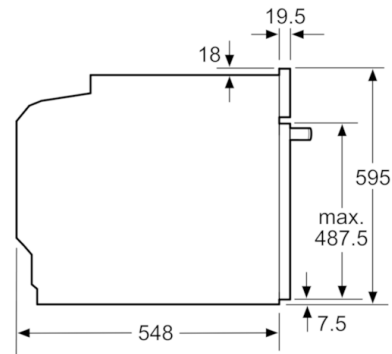
- Energy efficiency rating (acc. EU Nr. 65/2014): A+
- Energy consumption per cycle in conventional mode: 81.2
- Energy consumption per cycle in fan-forced convection mode: 0.69 kwh
- Number of cavities: 1
- Cavity volume: 71 litre capacity
- Temperature range 30 °C - 300 °C
- Integral cooling fan
- Length of mains cable: 120 cm
- Total connected load electric: 3.6 KW
- Nominal voltage: 220 - 240 V
- Appliance dimension (hxwxh): 595 mm x 594 mm x 548 mm
- Niche dimension (hxwxh): 585 mm - 595 mm x 560 mm - 568 mm x 550 mm
- Please refer to the dimensions provided in the installation manual

Serie | 8, built-in oven, Black HBG6764B6B

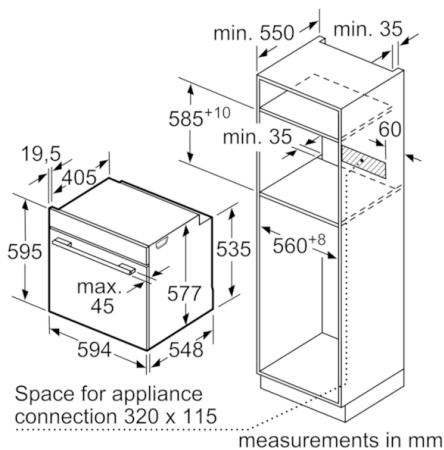
Installation with a hob.



measurements in mm



measurements in mm



If the appliance will be installed underneath a hob, the following worktop thicknesses (including substructure if necessary) must be taken into account.

Hob type	min. worktop thickness	
	fitted	flush
Induction hob	37 mm	38 mm
Full surface Induction hob	47 mm	48 mm
Gas hob	30 mm	38 mm
Electric hob	27 mm	30 mm

