

**Serie | 8, built-in oven with steam-function, Stainless steel
HRG6769S6B**



Included accessories

2 x combination grid
1 x universal pan

Optional accessories

HEZ625071 : Grill tray, anthracite enamelled
HEZ631010 : Baking tray, non-stick coated
HEZ631070 : Baking tray, anthracite enamelled
HEZ634000 : Baking and roasting grid (standard)
HEZ636000 : Glass pan
HEZ6FCC0 : Cookbook
HEZ915003 : Glass roasting dish, 5,4 L

The built-in oven with PerfectBake, PerfectRoast and added steam: automatically prepares your dishes so they're perfect and moist

- **4D Hot Air:** even heat distribution for perfect results – on any level.
- **BoschAssist:** automatic setting of the optimal type of heat, temperature and time for countless dishes.
- **TFT touchscreen control:** easy-to-use thanks to the control ring with full text and images.
- **Pyrolytic self-cleaning:** no cleaning effort thanks to automatic self-cleaning. Incl pyrolytic proof rails.
- **Home Connect:** home appliances with smart connectivity for an easier everyday life.
- Drop down door with SoftClose mechanism

Technical Data

Color / Material Front :	Stainless steel
Built-in / Free-standing :	Built-in
Integrated Cleaning system :	Pyrolytic
Required niche size for installation (HxWxD) :	585-595 x 560-568 x 550
Dimensions of the product (mm) :	595 x 594 x 548
Dimensions of the packed product (HxWxD) (mm) :	675 x 690 x 660
Control Panel Material :	Stainless steel
Door Material :	Glass
Net weight (kg) :	45.662
Usable volume (of cavity) - cavity 1 (l) :	71
Cooking method :	, 4D hot air, Bottom heat, Conventional heat, Defrost, Dehydrate, Full width grill, Half width grill, Hot Air-Eco, Hot air grilling, Intensive heat, low temperature cooking, Pizza setting, pre-heating, warming
First cavity material :	Enamelled
Temperature control :	electronic
Number of interior lights :	3
Approval certificates :	CE, VDE
Length electrical supply cord (cm) :	120
EAN code :	4242002932514
Number of cavities (2010/30/EC) :	1
Energy efficiency class (2010/30/EC) :	A
Energy consumption per cycle conventional (2010/30/EC) :	0.90
Energy consumption per cycle forced air convection (2010/30/EC) :	0.74
Energy efficiency index (2010/30/EC) :	87.1
Electrical connection rating (W) :	3600
Current (A) :	16
Voltage (V) :	220-240
Frequency (Hz) :	50; 60
Plug type :	no plug



Serie | 8, built-in oven with steam-function, Stainless steel HRG6769S6B

**The built-in oven with PerfectBake,
PerfectRoast and added steam:
automatically prepares your dishes so
they're perfect and moist**

Design

- 3x 2,5"-TFT colour and graphics display with direct touch function
- Drop down door, SoftClose, SoftOpen
- Stainless steel control wheel
- Straight bar handle
- Cavity inner surface: Enamel anthracite

Features

- Digital temperature display with proposal
Actual temperature display
Heating-up indicator
Sabbath setting
- Control panel lock
Automatic safety switch off
Residual heat indicator
Start button
Door contact switch
- BoschAssist
- PerfectRoast meatprobe
PerfectBake sensor
- Electronic clock timer
- Main on/off switch
- LED-Elongated light, LED light
- Light on/off when oven door opened/closed
- 5 shelf positions
- Water tank empty indicator
- Info button

Cleaning

- Pyrolytic self-cleaning function
- Full glass inner door

Programmes/functions

- Oven with 15 heating methods: 4D Hotair, Hotair Gentle, conventional top and bottom heat, conventional heat Gentle, Hotair grilling, full width variable grill, half width grill, pizza function, bottom heat, intensive heat, low temperature cooking, defrost, plate warming, Dehydrate, keep warm
- Additional functions:
Descaling programme
Drying function
- Additional heating methods with steam: reheating, Dough proving
- Fast pre-heating function

Standard accessories

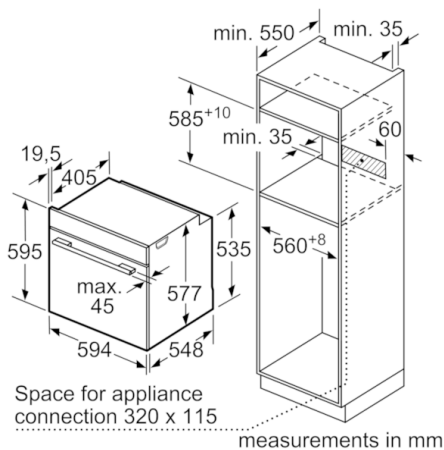
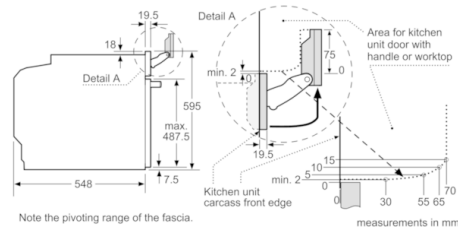
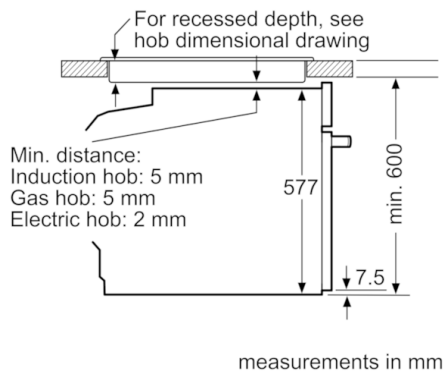
- 3 level telescopic shelf rails, full extension, Stop function, pyrolytic proof
- 2 x combination grid, 1 x universal pan

Performance/technical information

- Energy efficiency rating (acc. EU Nr. 65/2014): A
Energy consumption per cycle in conventional mode: 87.1
Energy consumption per cycle in fan-forced convection mode: 0.74 kwh
Number of cavities: 1
Cavity volume: 71 litre capacity
- Temperature range 30 °C - 300 °C
- 1 l Water tank
- Location of the steam generator is outside of the cavity
- Integral cooling fan
- Length of mains cable: 120 cm
- Total connected load electric: 3.6 KW
- Nominal voltage: 220 - 240 V
- Appliance dimension (hwxwd): 595 mm x 594 mm x 548 mm
- Niche dimension (hwxwd): 585 mm - 595 mm x 560 mm - 568 mm x 550 mm
- Please refer to the dimensions provided in the installation manual

Serie | 8, built-in oven with steam-function, Stainless steel HRG6769S6B

Installation with a hob.



If the appliance will be installed underneath a hob, the following worktop thicknesses (including substructure if necessary) must be taken into account.

Hob type	min. worktop thickness	
	fitted	flush
Induction hob	37 mm	38 mm
Full surface Induction hob	47 mm	48 mm
Gas hob	30 mm	38 mm
Electric hob	27 mm	30 mm

