

Serie | 8, built-in oven, Black HBG674BB1B



Included accessories

2 x combination grid
1 x pizza pan
1 x universal pan

Optional accessories

HEZ625071 : Grill tray, anthracite enamelled
HEZ631010 : Baking tray, non-stick coated
HEZ631070 : Baking tray, anthracite enamelled
HEZ634000 : Baking and roasting grid (standard)
HEZ636000 : Glass pan
HEZ638170 : 1 level telescopic rail, full ext, pyro
HEZ638370 : 3 level telescopic rails, full ext,pyro
HEZ6BCA0 : Cookbook
HEZ915003 : Glass roasting dish, 5,4 L

The built-in oven with AutoPilot: automatically prepares perfect dishes.

- **4D Hot Air:** even heat distribution for perfect results – on any level.
- **AutoPilot 10:** every dish is a perfect success thanks to 10 pre-set automatic programmes.
- **Pyrolytic self-cleaning:** no cleaning effort thanks to automatic self-cleaning.
- **TFT display control:** easy-to-use thanks to the control ring with full text and symbols.
- **ColorGlass:** black glass front as a brilliant alternative to stainless steel.
- Drop down door with SoftClose mechanism

Technical Data

Color / Material Front :	Black
Built-in / Free-standing :	Built-in
Integrated Cleaning system :	Pyrolytic
Required niche size for installation (HxWxD) :	585-595 x 560-568 x 550
Dimensions of the product (mm) :	595 x 594 x 548
Dimensions of the packed product (HxWxD) (mm) :	670 x 680 x 670
Control Panel Material :	Glass
Door Material :	Glass
Net weight (kg) :	38.566
Usable volume (of cavity) - cavity 1 (l) :	71
Cooking method :	, 4D hot air, Bottom heat, Conventional heat, Defrost, Full width grill, Half width grill, Hot Air-Eco, Hot air grilling, low temperature cooking, Pizza setting, pre-heating, warming
First cavity material :	Enamelled
Temperature control :	electronic
Number of interior lights :	1
Approval certificates :	CE, VDE
Length electrical supply cord (cm) :	120
EAN code :	4242002903477
Number of cavities (2010/30/EC) :	1
Energy efficiency class (2010/30/EC) :	A+
Energy consumption per cycle conventional (2010/30/EC) :	0.87
Energy consumption per cycle forced air convection (2010/30/EC) :	0.69
Energy efficiency index (2010/30/EC) :	81.2
Electrical connection rating (W) :	3600
Current (A) :	16
Voltage (V) :	220-240
Frequency (Hz) :	50; 60
Plug type :	no plug



Serie | 8, built-in oven, Black HBG674BB1B

The built-in oven with AutoPilot: automatically prepares perfect dishes.

Design

- 2.5"-TFT colour and text display with direct select buttons
- Drop down door, SoftClose, SoftOpen
- Stainless steel control wheel
- Straight bar handle
- Cavity inner surface: Enamel anthracite

Features

- Digital temperature display with proposal
 - Actual temperature display
 - Heating-up indicator
 - AutoPilot
 - Sabbath setting
- Control panel lock
 - Automatic safety switch off
 - Residual heat indicator
 - Start button
 - Door contact switch
- AutoPilot10
- Electronic clock timer
- Main on/off switch
- Interior lights, halogen
- Light on/off when oven door opened/closed
- 5 shelf positions

Cleaning

- Pyrolytic self-cleaning function
- Full glass inner door

Programmes/functions

- Oven with 13 heating methods: 4D Hotair, Hotair Gentle, conventional top and bottom heat, conventional heat Gentle, Hotair grilling, full width variable grill, half width grill, pizza function, bottom heat, low temperature cooking, defrost, plate warming, keep warm
- Fast pre-heating function

Standard accessories

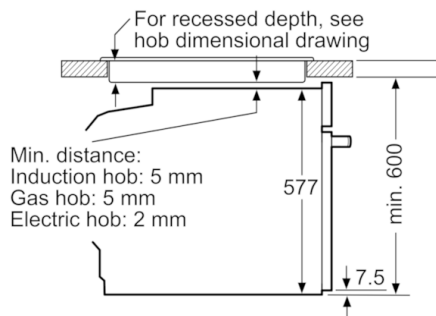
- 2 x combination grid, 1 x pizza pan, 1 x universal pan

Performance/technical information

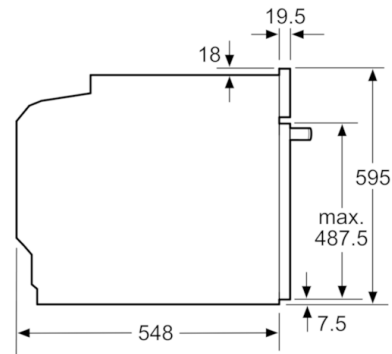
- Energy efficiency rating (acc. EU Nr. 65/2014): A+
- Energy consumption per cycle in conventional mode: 81.2
- Energy consumption per cycle in fan-forced convection mode: 0.69 kwh
- Number of cavities: 1
- Cavity volume: 71 litre capacity
- Temperature range 30 °C - 300 °C
- Integral cooling fan
- Length of mains cable: 120 cm
- Total connected load electric: 3.6 KW
- Nominal voltage: 220 - 240 V
- Appliance dimension (hxwxh): 595 mm x 594 mm x 548 mm
- Niche dimension (hxwxh): 585 mm - 595 mm x 560 mm - 568 mm x 550 mm
- Please refer to the dimensions provided in the installation manual

Serie | 8, built-in oven, Black HBG674BB1B

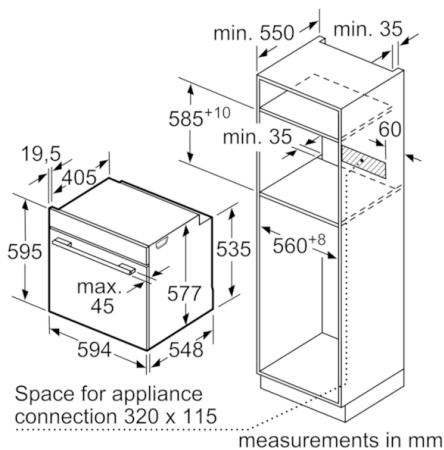
Installation with a hob.



measurements in mm



measurements in mm



If the appliance will be installed underneath a hob, the following worktop thicknesses (including substructure if necessary) must be taken into account.

Hob type	min. worktop thickness	
	fitted	flush
Induction hob	37 mm	38 mm
Full surface Induction hob	47 mm	48 mm
Gas hob	30 mm	38 mm
Electric hob	27 mm	30 mm

