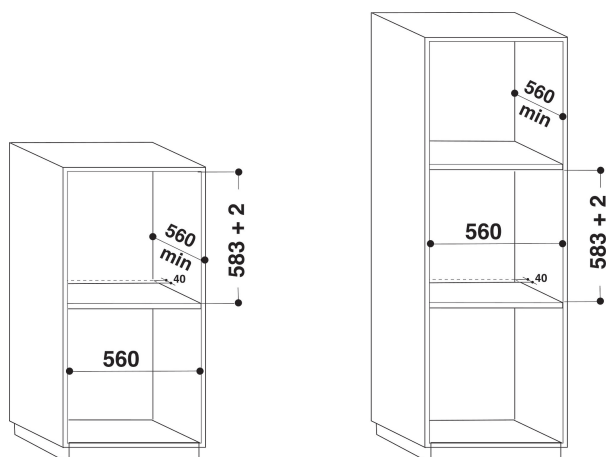


# GA2 124 IX

12NC: F100155

GTIN (EAN) code: 5054645001552

**Hotpoint**



## MAIN FEATURES

Product group	Oven
Commercial code	GA2 124 IX
Main colour of product	Inox
Construction type	Built-in
Type of control	Mechanical
Type of control settings	-
Are any hobs controls integrated?	No
Which kind of hobs can be controlled?	-
Automatic programmes	No
Current (A)	13
Voltage (V)	230-240
Frequency (Hz)	50/60
Length of Electrical Supply Cord (cm)	100
Plug type	UK
Depth with open door 90 degree (mm)	-
Height of the product	595
Width of the product	595
Depth of the product	551
Minimum niche height	0
Minimum niche width	0
Niche depth	0
Net weight (kg)	25
Usable volume (of cavity)	75
Integrated Cleaning system	No
Grids of the cavity	1
Trays	1

## TECHNICAL FEATURES

Timer	-
Time control	No control of the time
Time-setting options	Stop
Safety device	-
Interior light	Yes
Number of interior lights of the cavity	1
Position of interior lights of the cavity	Front left
Oven guides of the cavity	Grids
Probe of the cavity	No

## PERFORMANCES

Energy input	Gas
Type of energy of the cavity	Gas
Energy efficiency class - NEW (2010/30/EU)	A+
Energy consumption per cycle conventional - NEW (2010/30/EU)	1.26
Energy consumption per cycle forced air convection - NEW (2010/30/EU)	0