

**Serie | 2, Fully-integrated dishwasher,
60 cm
SGV2HAX02G**



Easy loading of your dishes and an option for extra-thoroughly dry dishes with just one push of a button.

- **ExtraDry:** extra drying option for difficult-to-dry loads.
- **Flex baskets:** flexible and practical solution for easy loading.
- **Silence Plus:** remarkably quiet at 44dB.
- **InfoLight:** a red infolight on the floor indicates whether the dishwasher is switched on or off.
- **Auto Programmes:** automatically selects the best cleaning performance programme.

Technical Data

Energy Efficiency Class (Regulation (EU) 2017/1369):	D
Energy Consumption for 100 cycles Eco Programme (EU 2017/1369):	84
Maximum number of place settings (EU 2017/1369):	13
The water consumption of the eco programme in liters per cycle (EU 2017/1369):	9.5
Programme duration (EU 2017/1369):	4:55
Airborne acoustical noise emissions (EU 2017/1369):	44
Airborne acoustical noise emission class (EU 2017/1369):	B
Construction type:	Built-in
Height of removable worktop (mm):	0
Dimensions of the product (HxWxD):	815 x 598 x 550
Required niche size for installation (HxWxD):	815-875 x 600 x 550
Approval certificates:	CE, VDE
Depth with open door 90 degree (mm):	1150
Adjustable feet:	Yes - all from front
Maximum adjustability feet (mm):	60
Adjustable plinth:	both horizontal and vertical
Net weight (kg):	33.799
Gross weight (kg):	36.0
Connection rating (W):	2400
Current (A):	10
Voltage (V):	220-240
Frequency (Hz):	50; 60
Length of electrical supply cord (cm):	175
Plug type:	GB plug
Length inlet hose (cm):	165
Length outlet hose (cm):	190
EAN code:	4242005324262
Installation type:	Full-integrated



Optional accessories

- SGZ1010 : inlet and outlet hose extention
- SMZ5003 : Retractable hinge f. high corpus dimens.
- SMZ5005 : Compensating + fixing kit, stainl. steel
- SMZ5035 : Decor conversion kit, stainless steel
- SMZ5300 : GlassSecure Tray



Serie | 2, Fully-integrated dishwasher, 60 cm SGV2HAX02G

Easy loading of your dishes and an option for extra-thoroughly dry dishes with just one push of a button.

under <https://www.bosch-home.co.uk/customer-service/care-protection-and-parts/additional-warranties>

- Self-cleaning filter system with 3 piece corrugated filter
- Large item spray head, steam protection plate
- Stainless steel interior
- Dimensions (HxWxD): 81.5 x 59.8 x 55cm

¹ Scale of Energy Efficiency Classes from A to G

² Energy consumption in kWh per 100 cycles (in programme Eco 50 °C)

³ Water consumption in litres per cycle (in programme Eco 50 °C)

⁴ Duration of programme Eco 50 °C

New for 2021

Performance

- Energy Efficiency Class¹: D
- Energy² / Water³: 84 kWh / 9.5 litres
- Capacity: 13 place settings
- Programme duration⁴: 4:55 (h:min)
- Noise level: 44 dB(A) re 1 pW
- Noise Efficiency Class: B

Programmes / functions

- 4 programmes: Eco 50 °C, Auto 45-65 °C, Intensive 70 °C, Express 65°
- 3 special options: Extra Dry, Half Load, SpeedPerfect+
- Machine Care

Flexible design elements

- Flex basket system
- 3 stage Rackmatic height-adjustable top basket
- Low friction wheels on bottom basket
- Rack Stopper to prevent derailing of bottom basket
- 2 foldable plate racks in top basket
- 2 foldable plate racks in bottom basket
- Knife rack in top basket
- Moveable cutlery basket in lower rack
- Upper rack cup shelf

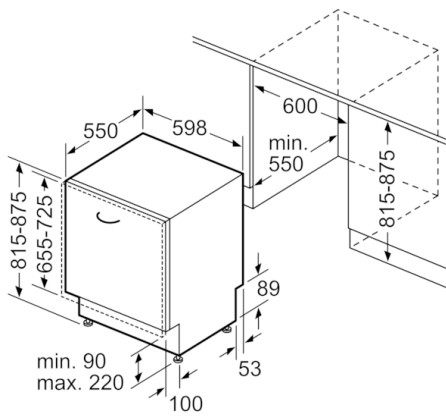
Innovations and technology

- Heat exchanger - Hygienic and efficient drying
- DosageAssist detergent dispenser
- EcoSilence BLDC drive
- Automatic detergent detection
- Aqua and loading sensor
- AquaMix - Glass protection system

Design features

- Push button top edge controls
- InfoLight (Red) - Light projection on the floor
- Acoustic end of cycle indicator
- Time delay (3, 6 or 9 hours)
- AquaStop: Bosch warranty in case of water damage - for the lifetime of the appliance. Please find warranty terms

**Serie | 2, Fully-integrated dishwasher, 60 cm
SGV2HAX02G**



measurements in mm

