

Serie | 4, Telescopic cooker hood, 90 cm, Silver metallic DFS097A51B

A



Telescopic cooker hoods extend when in use and slide neatly away when not in operation.

- **Extra quiet:** maximum extractor performance with minimal noise.
- **Grease filtration level:** filters out over 85% of the grease from kitchen air.
- **EcoSilence Drive:** our highly efficient motor saves on energy, not on performance.
- **LED Illumination:** The energy-saving lighting provides bright and clear lighting for the hob area.
- **Intensive speed setting:** removes strong kitchen odours quickly and effectively.

Technical Data

| | |
|---|--------------------------|
| Typology : | Pull-out |
| Approval certificates : | CE, VDE |
| Length of electrical supply cord (cm) : | 175 |
| Required niche size for installation (HxWxD) : | 385mm x 524.0mm x 290mm |
| Minimum distance above an electric hob : | 430 |
| Minimum distance above a gas hob : | 650 |
| Net weight (kg) : | 13.077 |
| Type of control : | Electronic |
| Maximum output air extraction (m ³ /h) : | 397 |
| Boost position output recirculating (m ³ /h) : | 476.0 |
| Maximum output recirculating air (m ³ /h) : | 294 |
| Boost position air extraction (m ³ /h) : | 729 |
| Number of lights (Stck) : | 3 |
| Noise level (dB(A) re 1 pW) : | 53 |
| Diameter of air outlet (mm) : | 120 / 150 |
| Grease filter material : | Washable stainless steel |
| EAN code : | 4242005232109 |
| Connection rating (W) : | 146 |
| Current (A) : | 10 |
| Voltage (V) : | 220-240 |
| Frequency (Hz) : | 50; 60 |
| Plug type : | GB plug |
| Installation type : | Built-in |

Optional accessories

- DSZ4561 :
- DSZ4565 :
- DSZ4920 :
- DWZ0IT0P0 :
- DWZ1IT1D1 :
- DWZ1IX1B6 :
- DWZ1IX1C6 :



Serie | 4, Telescopic cooker hood, 90 cm, Silver metallic DFS097A51B

**Telescopic cooker hoods extend when in use
and slide neatly away when not in operation.**

Planning and installation information

- Telescopic easy installation
- Dimensions (HxWxD): 426 x 898 x 290 mm
- Built-in dimensions (HxWxD): 385 x 524 x 290 mm
- Diameter pipe \varnothing 150 mm (\varnothing 120 mm enclosed)
- Electrical cable length 1.75 m

** In accordance with the EU-Regulation No 65/2014*

Features

- Electronic control via Soft touch button control
- 3 power levels & intensive setting
- 3 x 1,5W LED
- Efficient BLDC technology
- Automatic intensive revert (6mins)
- Automatic after running (Automatic after running (10 min))
- 3 removable metal grease filter cassettes

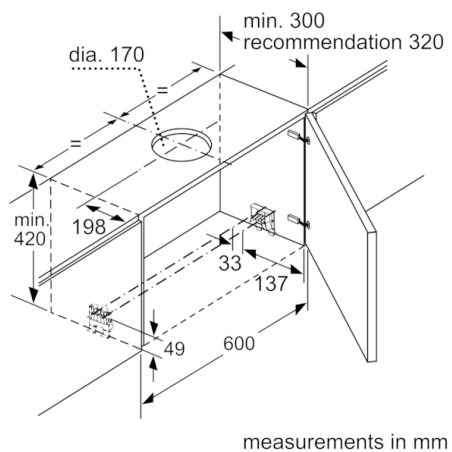
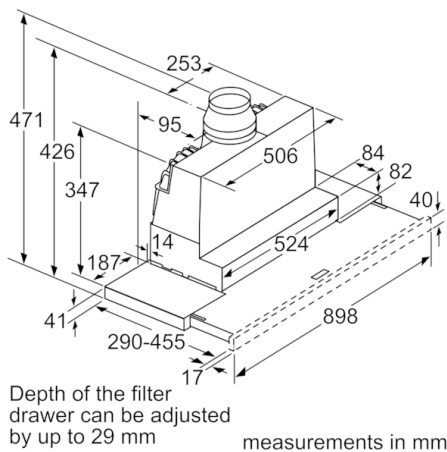
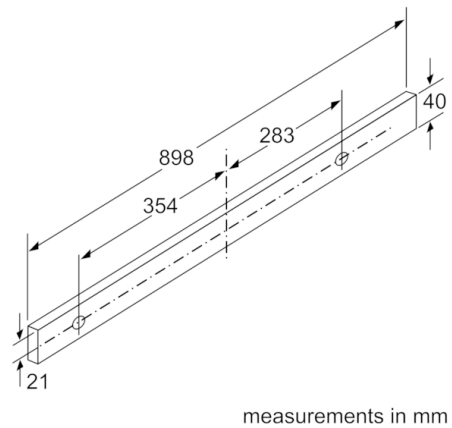
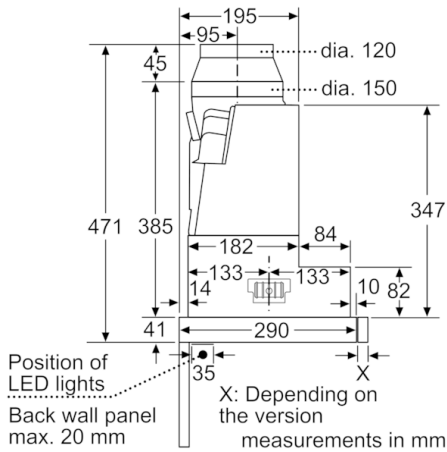
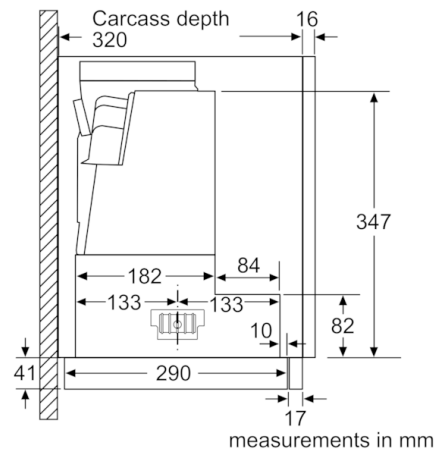
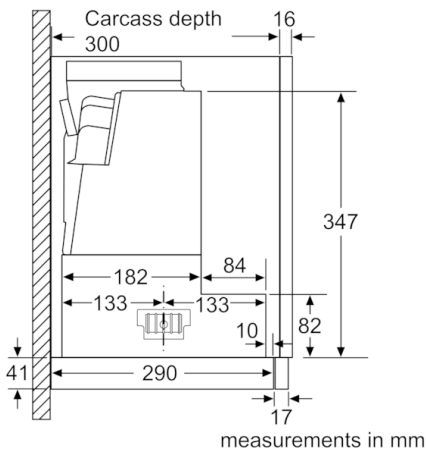
Design

- 90 cm wide
- Silver metallic lacquer
- Handle strip specification: stainless steel with logo
- Steel filter cover

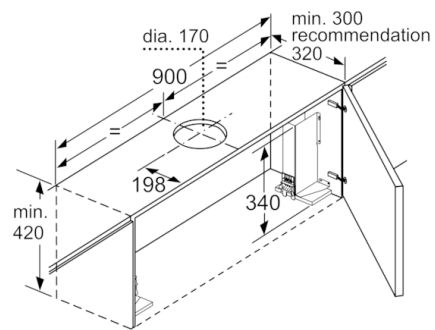
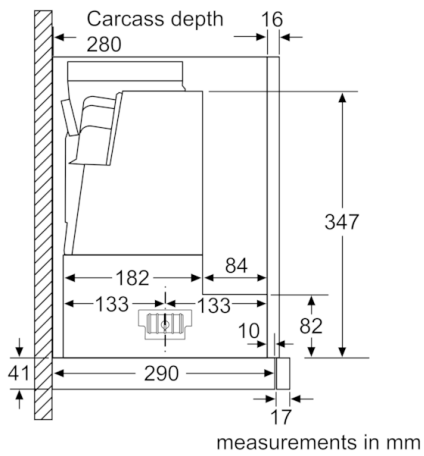
Performance

- Suitable for ducted or recirculating operation
- For recirculated extraction recirculating kit or CleanAir recirculating kit (accessory) needed
- Energy Efficiency Class: A (at a range of energy efficiency classes from A+++ to D)
- Extraction rate according to EN 61591 max. 729 m³/h
- Extraction rate according to EN 61591 \varnothing 15 cm:
max. Normal use 397 m³/h
Intensive 729 m³/h
- Noise level according to EN 60704-3 and EN 60704-2-13 at max. normal use exhaust air: 53 dB(A) re 1 pW
- Noise level according to EN 60704-3 and EN 60704-2-13 exhaust air:
Max. normal use: 53 dB(A) re 1 pW
Intensive: 69 dB(A) re 1 pW
- With the Clean Air Plus recirculation kit (available as optional accessory) your appliances reaches:
Extraction rate in recirculation mode:
Max. normal use: 358 m³/h
Intensive: 628 m³/h
Noise level in recirculation mode:
Max. normal use: 60 dB(A) re 1 pW
Intensive: 71 dB(A) re 1 pW
- Colour Temperature: 3500 K
- Light Intensity: 355 lux
- Power rating: 146 W
- Average Energy Consumption: 38.1 kWh/year*
- Blower Efficiency Class: B*
- Lighting Efficiency Class: A*
- Grease Filtering Efficiency Class: B*

**Serie | 4, Telescopic cooker hood, 90 cm,
Silver metallic
DFS097A51B**



**Serie | 4, Telescopic cooker hood, 90 cm,
Silver metallic
DFS097A51B**



When installing the 90 cm telescopic hood in a 90 cm wide wall-hanging cupboard, a mounting kit is required. The two mounting brackets are screwed onto the left and right of the kitchen unit. Installation in accordance with template.

measurements in mm