



RIDERS

MANUAL

WELCOME TO THE LUCKY FAMILY

Welcome to the Lucky Family! We're stoked that you chose this Lucky scooter and we promise that you've made a wise decision. For this new lineup of complete scooters we focused on going back to some of our original designs while staying up to date with the world's best technology so we could bring you the best possible scooter on the market today.

From our garage to the warehouse Lucky has risen in ranks to become the dominating brand you see today. We've designed all our products with one general goal in mind - to make premium scooters for every style of rider so that they can express themselves as individuals. With this being said it doesn't matter if you ride street, park, dirt, flat or whatever! We want you on the sickest, best built line of scooters out there and we take great pride in knowing that our wish came

true. Our pro rider's have ridden & tested these scooters again and again with trick after trick, impact after impact, and they always come away rolling smoother than ever.

We know that your scooter will be able to perform and handle in every situation you take it! I'm sure you already know everything about your sick new ride but if you want a quick refresher you can go over this manual. It was written as a guide to help you through basic scooter maintenance and mechanics. So refresh your memory, learn how to dial your whip, and then go out and ride!

RIDE IT. STOMP IT.



SAFETY FIRST MY LUCKY FRIEND!

An Important Message To Parents

This manual contains important information. For your child's safety, it is your responsibility to review this information with your child and make sure that your child understands all warnings, cautions, instructions and safety topics. Lucky Scooters recommends that you periodically review and reinforce the information in this manual with younger riders. You are required to inspect and maintain your child's scooter to ensure their safety.

General Warning

Scooter riding can be a hazardous activity and is intended for ages 8 and above. The weight of a rider should not exceed 120 pounds(55kgs). Always wear safety equipment such as helmet, knee pads, and elbow pads. Always wear a helmet while riding your scooter and keep the chinstrap securely buckled. Always wear shoes. Scooters are intended to move and it is therefore possible to get into dangerous situations and/or lose control and/or fall. If such things occur you can be seriously injured or die. Ride on smooth, paved surfaces away from motor vehicles. Avoid sharp bumps, drainage grates, and sudden surface changes. Scooter may suddenly stop. Avoid streets and surfaces with water, sand, gravel, dirt, leaves, and other debris. Wet weather impairs traction, braking, and visibility. Do not ride at night. Brake will get hot from continuous use. *Do not touch after braking.* Avoid excessive speed associated with downhill rides. Adults must assist children in the initial assembly of the scooter to ensure that all parts are fastened and tight. Obey all traffic and scooter riding laws and regulations. Watch out for pedestrians. Check and secure all fasteners before every ride. Replace worn or broken parts immediately.

Like any other product, using a scooter can be a dangerous activity and may result in injury or death, even when used with proper safety precautions. Use at your own risk and use common sense.

Proper Riding Attire

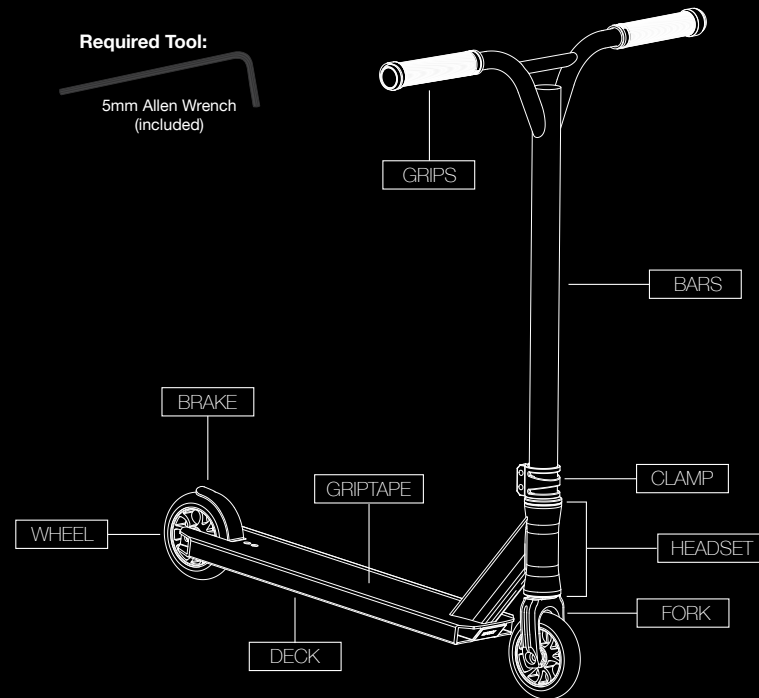
Always ensure that proper protective equipment is worn including an approved safety helmet. A helmet may be legally required by local law or regulation in your area.

Acceptable Riding Practices and Conditions

Scooters are meant to be used only in controlled environments free of potential traffic hazards and not on public streets. Do not allow your child to ride a scooter in any areas where vehicle traffic is present. The rider must maintain a hold on the handlebars at all times. Never allow more than one rider at a time on a scooter. Never use near steps, sloped driveways, hills, roadways, alleys or swimming pool areas. Do not ride a scooter in wet weather. Scooters are intended for use on solid, flat, clean and dry surfaces such as pavement or level ground without loose debris such as rocks or gravel. Wet, slick, uneven or rough surfaces may contribute to possible accidents. Do not ride a scooter in mud, ice, puddles or water. Avoid excessive speeds that can be associated with downhill rides. Never risk damaging surfaces such as carpet or flooring by use of a scooter indoors. Do not ride at night or when visibility is impaired. Direct parental supervision is required for children.

Failure to use common sense and heed the above warnings further increases risk of serious injury. Use at your own risk and with appropriate and serious attention to safe operation. Use caution.

PARTS ON YOUR NEW RIDE



Check out your scooter when you unpack it.

Remove contents from box. Inspect the contents of the box for scratches in the paint and/or dents that may have occurred during shipping. Because your scooter was partially assembled and packed at the factory, there should not be any problems, even if the box has a few scars or dents.

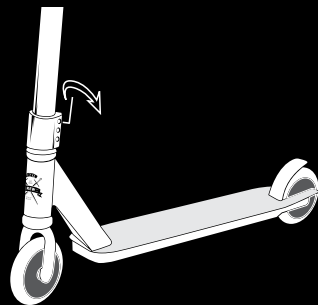
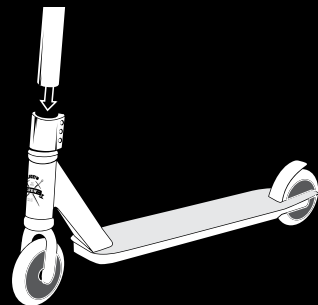
WARNING:

Do not use non-Lucky products with your scooter.

Lucky scooters have been built to certain Lucky design specifications. The original equipment supplied at the time of sale was selected on the basis of its compatibility with the deck, fork and all other parts. Certain aftermarket products may or may not be compatible.

HOW TO ASSEMBLE YOUR RIDE

PROSPECT & CREW COMPLETE > IHC



1. Install the Bars:

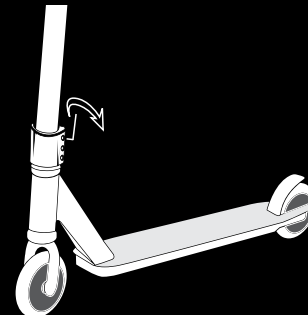
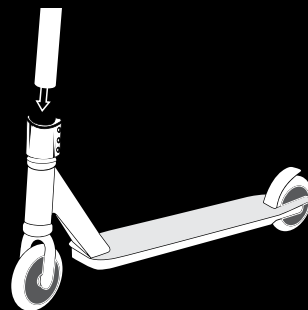
Loosen the clamp on the Bars. "Press" the bar down tube onto the fork twisting if necessary. The tube will slide nicely onto the IHC shim.

2. Align the wheel:

Align the front wheel to be straight and aligned with the bars, lightly tighten the clamp bolts alternating between each of them until all are tight. If you tighten one bolt too much while the others are loose you will damage the clamp not allowing the clamp to tighten properly and **will void warranty.**

HOW TO ASSEMBLE YOUR RIDE

COVENANT COMPLETE > HIC



1. Install the Bars:

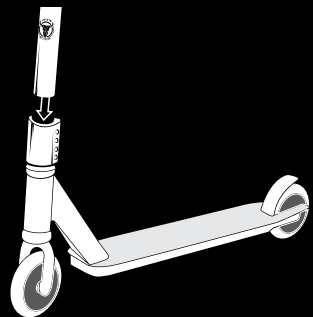
Loosen the clamp on the Bars. "Press" the bar down tube onto the fork twisting if necessary. The tube will slide nicely onto the composite aluminum HIC shim.

2. Align the wheel:

Align the front wheel to be straight and aligned with the bars, lightly tighten the clamp bolts alternating between each of them until all are tight. If you tighten one bolt too much while the others are loose you will damage the clamp not allowing the clamp to tighten properly and **will void warranty.**

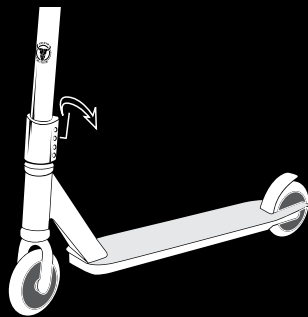
HOW TO ASSEMBLE YOUR RIDE

EVO COMPLETE > **SCS**



1. Install the Bars:

Loosen the top three SCS bolts slightly and “press” the bar down tube into the SCS, twisting if necessary. The bar will slide nicely into the SCS. The SCS clamp bolts should be towards the rear of the scooter as shown in the picture



2. Align the wheel:

Align the front wheel to be straight and aligned with the bars, lightly tighten the SCS clamp bolts alternating between each bolt until all bolts are tight. If you tighten one bolt too much while the others are loose you will damage the clamp not allowing the clamp to tighten properly and **will void warranty.**

RIDER GUIDE & MAINTENANCE

Lubricating your bearings

To keep your scooter fast and smooth you need to lubricate your bearings. You will need to take off your wheels to lubricate your wheel bearings, this is done by taking 2 - 5mm allen wrenches and turning them counter-clockwise. The wheels may need some encouragement to slide out. Using a damp cloth wipe any dirt or grime on your wheels and bearings. Using bicycle bearing oil, or Bones Speed Cream, place 3 to 4 drops directly on the bearing covers and allow the oil to sink in. If the wheels do not spin freely after this you might need to replace your bearings.

Adjusting or tightening your compression

If your bars start to shake or move side to side, this means your clamp is loose or your compression needs to be tightened. To tighten the compression; do so by removing your handle bars and with your 5mm allen wrench insert it in the allen bolt on top of the HIC SHIM or SCS top cap, as demonstrated on previous page. Turning it in a clock-wise direction, add light pressure and tighten until some pressure is felt in the allen wrench. The forks should still spin freely, however if over tightened you can restrict the movement and damage your compression or

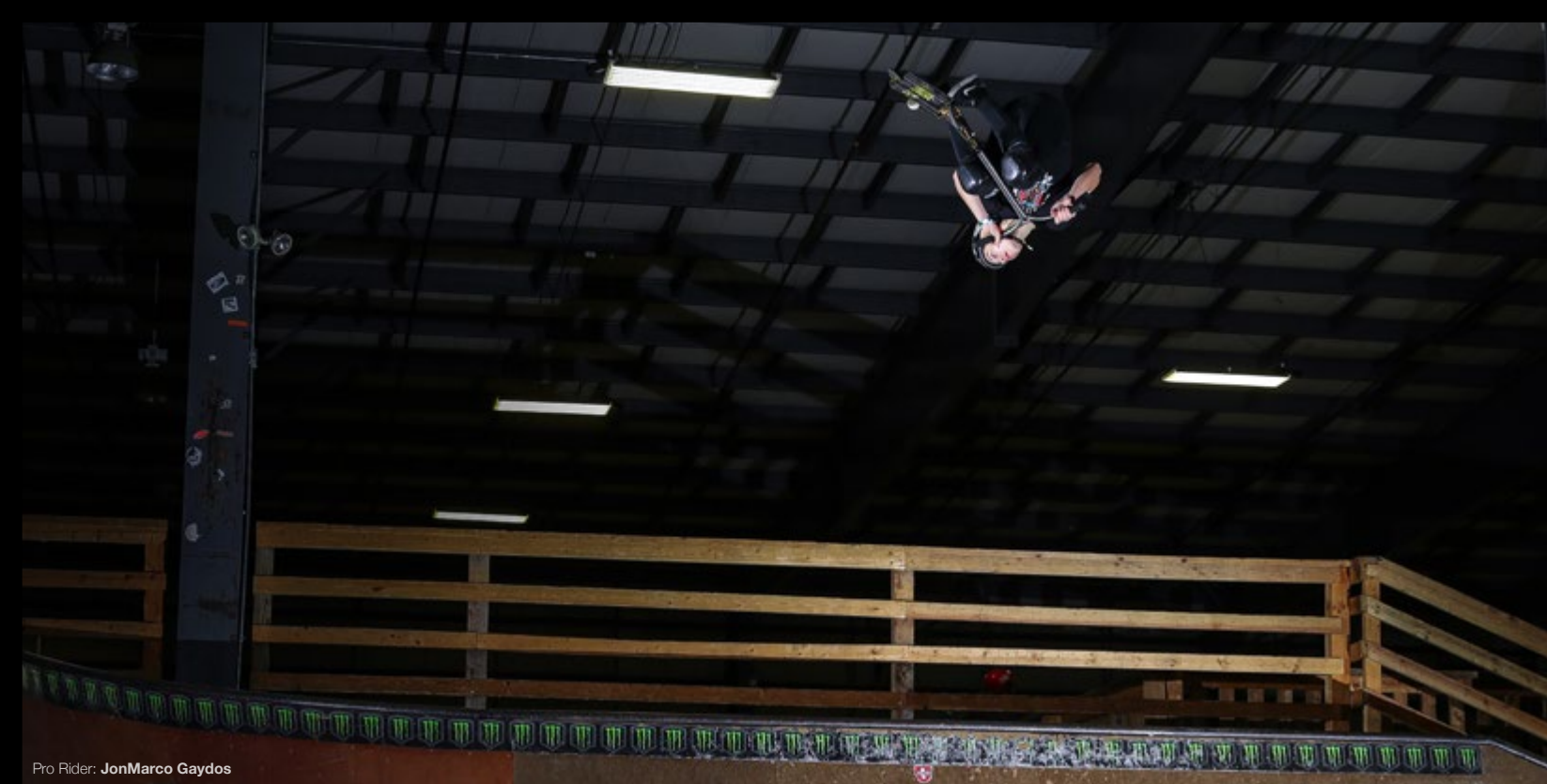
headset. To tighten the clamp lightly tighten each bolt on the clamp or scs alternating bolts until all bolts are tight. If you tighten one bolt too much while the others are loose you will damage the clamp not allowing the clamp to tighten properly and **will void warranty.** Adult supervision recommended.

If you like a clean scooter

Never use any cleaning agents to clean your scooter, doing so may damage paint or materials. Use a damp or wet rag to wipe off any street dirt or park grime. Use a dry plastic bristle brush or dry paint brush to brush away dirt. Avoid putting water directly on grip tape and never submerge your scooter in water, it is not a submarine!

Before each ride

Always make sure your scooter is in legit mechanical shape before you head out to ride. Always check your scooter for loose clamp bolts, loose axle bolts, loose compression, loose headset, loose grips, loose brake, or any other loose parts. Always check the deck, bars and wheels for any signs of stress, cracks or heavy damage. Scooters are tough but not invincible. Replace any worn parts immediately!



Pro Rider: JonMarco Gaydos

WARRANTY

Lucky Scooters Limited Warranty

The manufacturer warrants this product to be free of manufacturing defects for a period of 6 months from date of purchase. This Limited Warranty does not cover normal wear and tear, or any damage, failure, or loss caused by improper assembly, maintenance, or aggressive use. This Limited Warranty will be void if; the product is used in for anything other than recreationally, modified in any way including installing aftermarket parts.

Need Help?

Visit our web site for replacement parts, product support and a list of authorized service centers at:

www.luckyscooters.com, call toll-free **(866) 294-8669** or email us at **info@luckyscoot.com**.

Monday-Friday 9:00 AM - 5:00 PM Pacific Time.

LUCKY
SCOOTERS

www.myluckydealer.com

sales@luckyscoot.com



@luckyscootparts



@luckyscooters



@luckyscooters

