

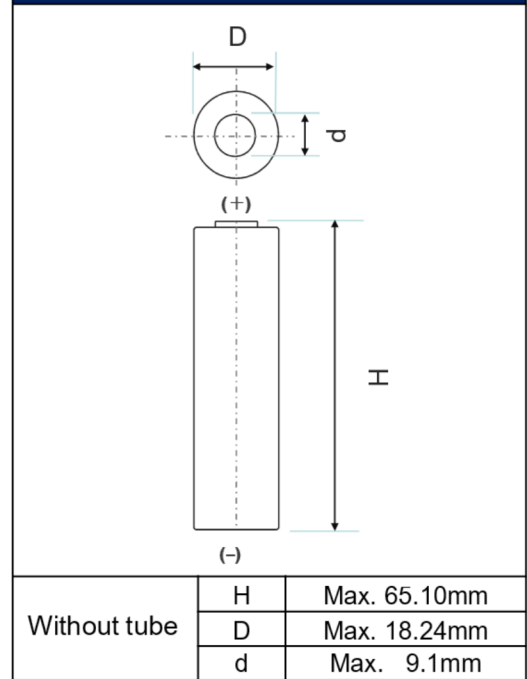
Specifications

Rated capacity ⁽¹⁾		2850mAh	2580mAh
Capacity ⁽²⁾	Minimum	2900mAh	2620mAh
	Typical	3000mAh	2700mAh
Nominal voltage		3.7V	
Charging	Method	CC-CV	
	Voltage	4.35V	4.25V
	Current	Std. 0.5CA	
Weight (max.) Without tube		48.0g	
Temperature	Charge	0 to +45° C	
	Discharge	-20 to +60° C	
	Storage	-20 to +50° C	
Energy density ⁽³⁾	Volumetric	620 Wh/l	561Wh/l
	Gravimetric	220 Wh/kg	199WH/kg

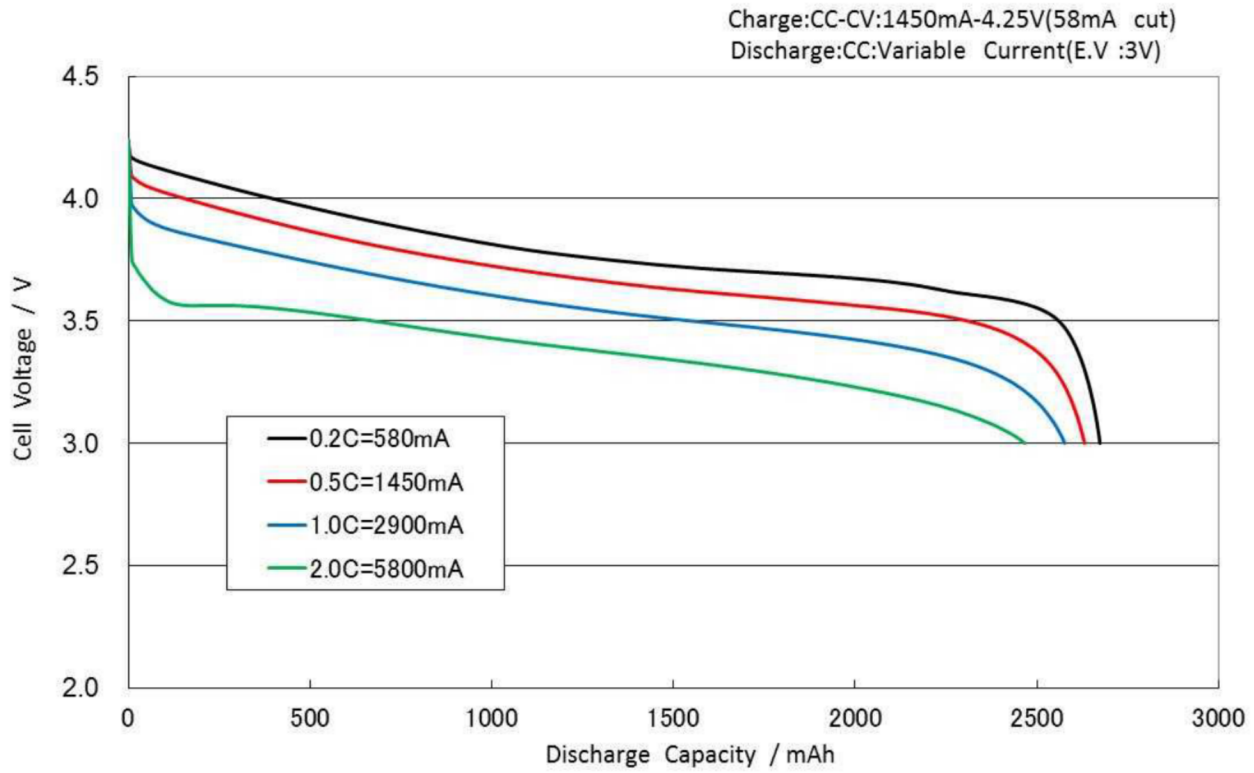
⁽¹⁾ At 20° C ⁽²⁾ At 25° C

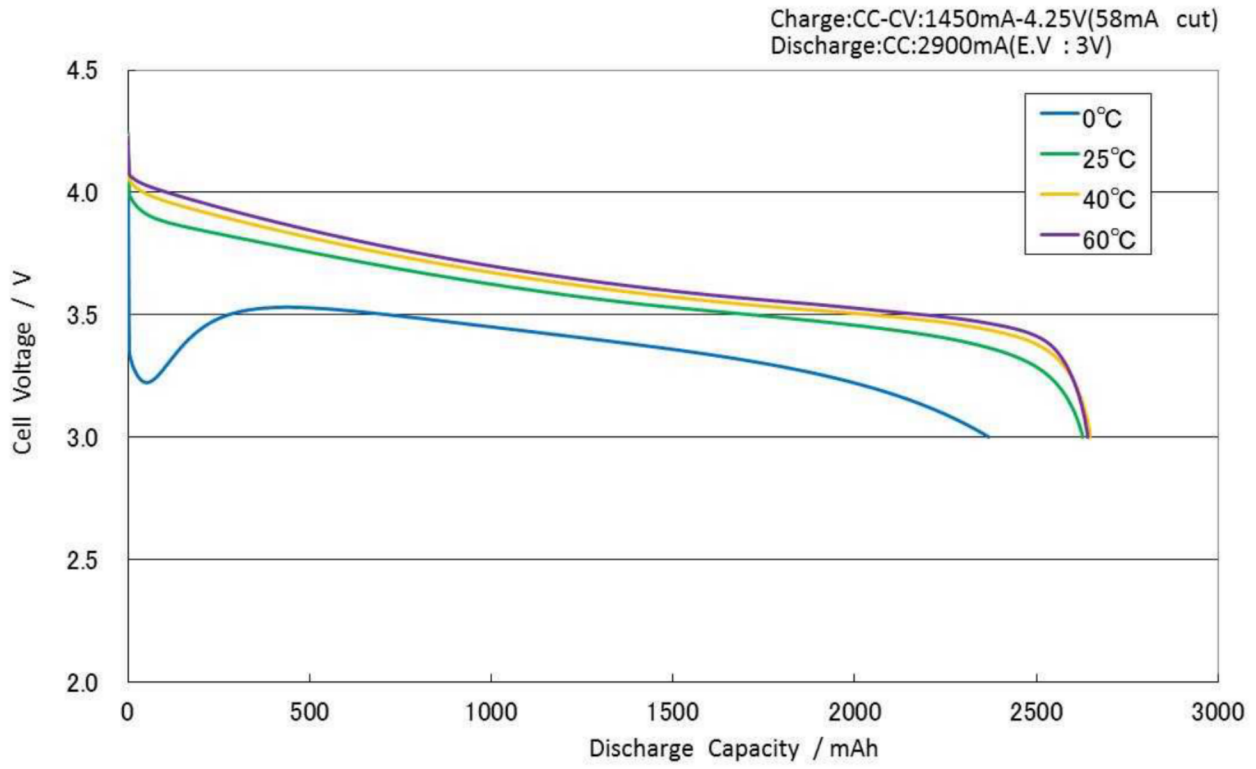
⁽³⁾ Energy density is calculated using bare cell dimensions (without tube).

Dimensions



When designing a pack, refer to the cell's mechanical drawing for precise dimensions.





Charge :CC-CV:1450mA-4.25V(58mA cut) at 25°C
Discharge:CC:2900mA to 3.0V at 25°C

