

SHUTTLE® COFFEE BREWERS

Project _____ Date _____ Models **P200E, P300E, P400E** Item# _____ Quantity _____



model P300E



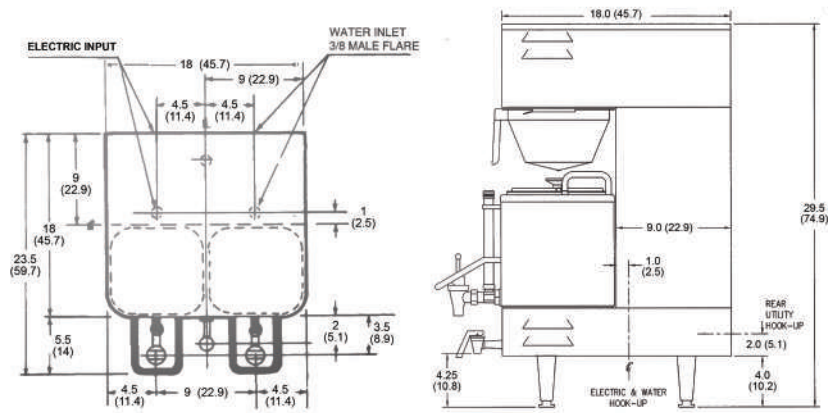
model P400E

Features

- Brews into 1.5 gallon (5.7 L) radiant heat, air-insulated CS-1 Shuttles®.
- Make transporting easy and keep coffee fresh and hot.
- Simple-to-operate brewing control panel offers different brewing capabilities and includes a hot water faucet.
- Insulated handles ensure Shuttles® are safe and easy to carry.
- Shuttle® lid locks in place while transporting.
- Designed for fast access to components and ease of service.
- Compact size takes up less counter space.
- Ready-to-brew light.

Models & Dimensions

Shuttle® Coffee Brewers



TOP VIEW

SIDE VIEW

model P400E represented
measurements in inches [cm]

Specifications

Model	Description	Brew Capacity (Each Shuttle)	Electrical*	Product Dimensions (H x W x D)	Ship Dimensions (H x W x D)	Ship Weight
P200E (AP-200E)	Single Shuttle brewer plastic brew basket, plastic legs UL, CUL, CE, and NSF Certifications	1.5 gal. (5.7 L) 400 cups per hour	120V / 1750W 14.6A / 1 Ph	28" x 17" x 9" (71 cm x 43 cm x 23 cm)	28" x 26" x 13" (71 cm x 66 cm x 33 cm)	55 lbs. (24.9 kg)
P300E (AP-300E)	Single Shuttle brewer stainless brew basket, stainless legs UL, CUL, CE, and NSF Certifications	1.5 gal. (5.7 L) 400 cups per hour	120/208V / 5000W 24A / 1 Ph 120/240V / 6600W 28A / 1 Ph	28" x 9" x 23.5" (71 cm x 23 cm x 60 cm)	29.5" x 11" x 26" (75 cm x 28 cm x 66 cm)	55 lbs. (24.9 kg)
P300 (AP-300E230VG)	Single Shuttle brewer stainless brew basket, stainless legs CE and RoHS Certifications	1.5 gal. (5.7 L) 400 cups per hour	230V / 6000W 26.4A / 1 Ph	28" x 9" x 23.5" (71 cm x 23 cm x 60 cm)	29.5" x 11" x 26" (75 cm x 28 cm x 66 cm)	55 lbs. (24.9 kg)
P400E (AP-400E)	Dual Shuttle brewer stainless brew basket, stainless legs UL, CUL, CE, and NSF Certifications	1.5 gal. (5.7 L) 600 cups per hour	120/208V / 5000W 24A / 1 Ph 120/240V / 6600W 28A / 1 Ph	28" x 18" x 21" (71 cm x 46 cm x 53 cm)	29.5" x 22" x 26" (75 cm x 56 cm x 66 cm)	100 lbs. (45.4 kg)
P400 (AP-400E230VG)	Dual Shuttle brewer stainless brew basket, stainless legs CE and RoHS Certifications	1.5 gal. (5.7 L) 600 cups per hour	230V / 6000W 26.4A / 1 Ph	28" x 18" x 21" (71 cm x 46 cm x 53 cm)	29.5" x 22" x 26" (75 cm x 56 cm x 66 cm)	100 lbs. (45.4 kg)

***Electrical:** Line cord and Nema 5-15P plug included with P200 models. P300 and P400 line cord not included, must be hard wired. Optional higher wattage available.
Plumbing: 0.25" (6.35 mm) flare water line at 30-80 psi required.

