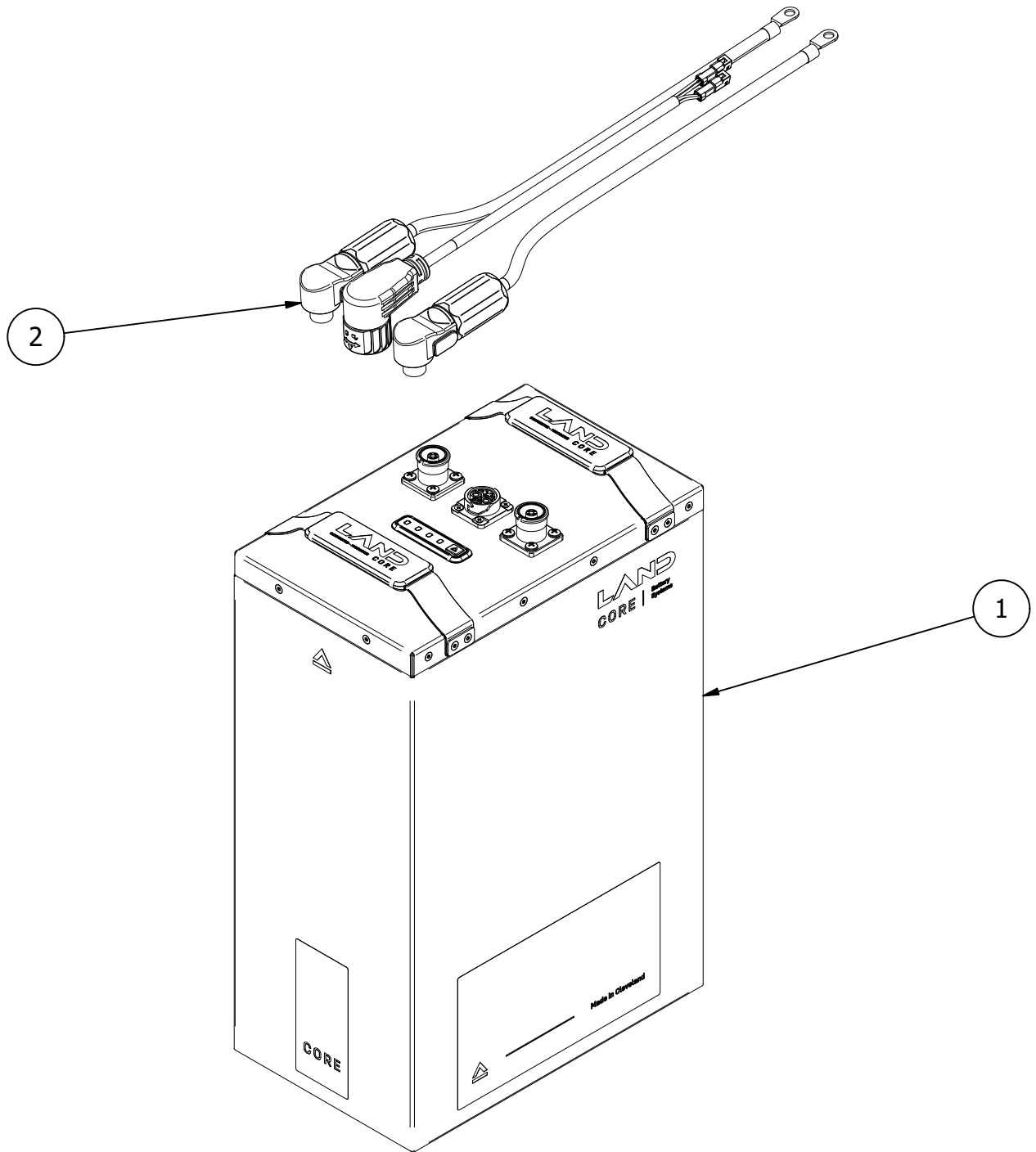


# LAND District Battery



ITEM	PART NUMBER	DESCRIPTION	QTY
1	250101-D01-0100-00	LAND Core 5.5 KWH Battery	1
2	250100-D01-0100-00	Battery Harness	1