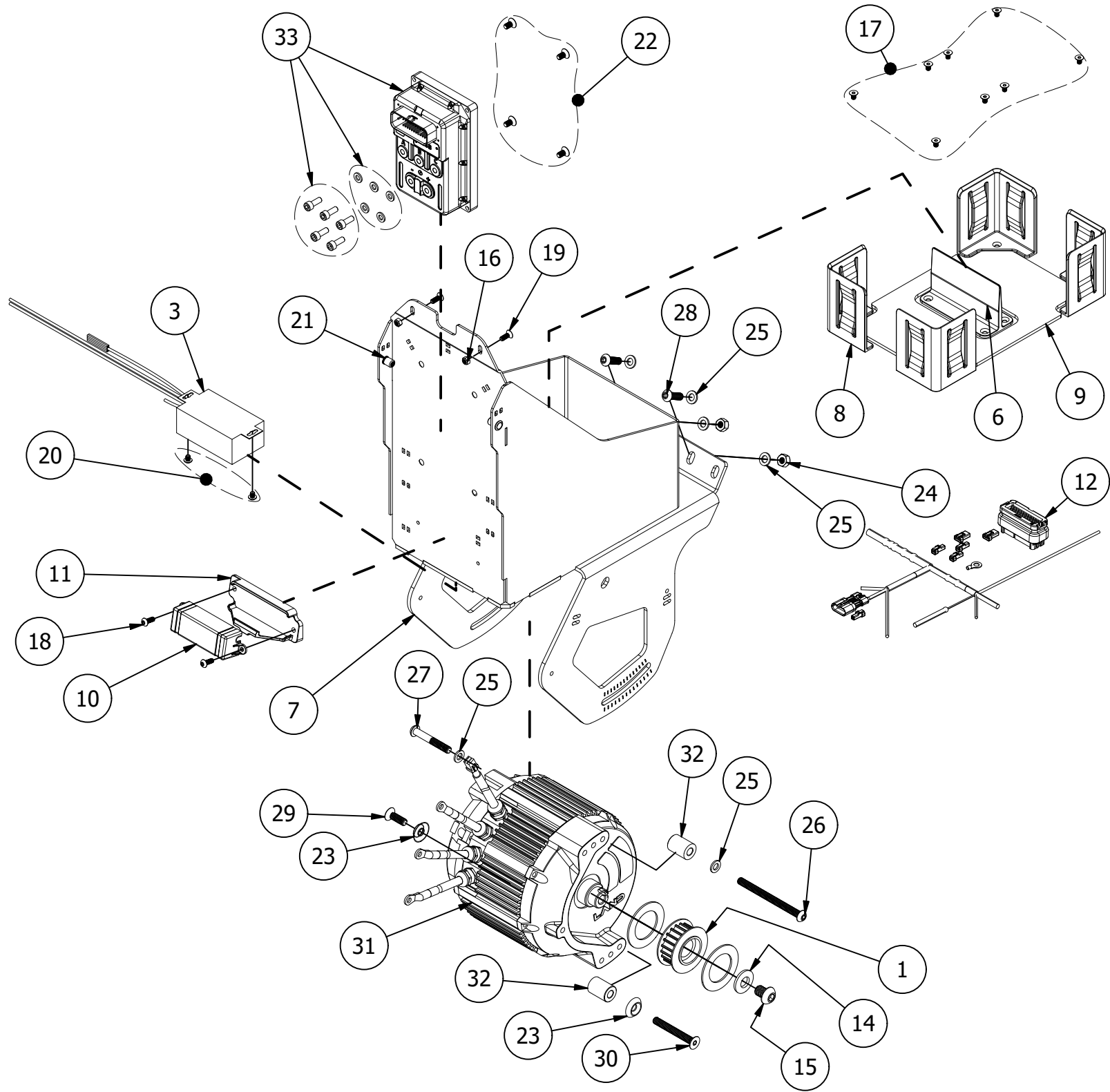


# LAND District Battery Box



ITEM	PART NUMBER	DESCRIPTION	QTY
1	110128-D01-0100-CC	Pully HTD 8M x 20	1
2	90034-10014-00	10 MM ID Vibration Loop Clamp	1
3	110132-D01-0100-WH	12V Converter	1
4	DT1-10-0235-01	12v Harness Main Assembly	1
5	90030-18050-00	3/16" Wide 3/16" Tall, 1/2" Long Machine Key	1
6	110133-D01-0153-IJ	Battery Box Divider	1
7	110120-D01-0120-00	Battery Box Weldment	1
8	110131-D01-0153-IJ	Battery Corner Slide	4
9	110146-D01-0100-AA	Battery Padding	1
10	110161-D01-0100-AA	Commodule	1
11	110134-D01-0153-IJ	Commodule Bracket	1
12	DT1-10-0237-01	Controlls Harness.iam	1
14	90007-12000-0P	M12 Spring Lock Washer	1
15	90000-12016-0P	M12 x 1.75 x 16 Button Head	1
16	90011-05000-0P	M5 Nylock	2
17	90001-05008-0P	M5 x .8 x 8 Flat Head	8
18	90000-05014-0P	M5 x .8 x 14 Button Head	2
19	90001-05014-0P	M5 x .8 x 14 Flat Head	2
20	90000-05006-0P	M5 x .8 x 6 Button Head	2
21	90014-06000-0P	M6 Rivet Nut	2
22	90001-06012-0P	M6 x 1 x 12 Flat Head	4
23	90008-08000-00	M8 Countersunk Alumnum Washer	2
24	90011-08000-0P	M8 Nylock	2
25	90006-08000-0P	M8 Washer	6
26	90000-08100-0P	M8 x 1.25 x 100 Button Head	1
27	90000-08055-0P	M8 x 1.25 x 55 Button Head	1
28	90000-08025-0P	M8 x 1.25 x 25 Button Head	2
29	90001-08025-0P	M8 x 1.25 x 25 Flat Head	1
30	90001-08065-0P	M8 x 1.25 x 65 Flat Head	1
31	110129-D01-0100-AA	Montenergy Motor	1
32	110126-D01-0146-CC	Motor Mount Spacer	2
33	110121-D01-0100-AA	siliXcon Motor Controller	1