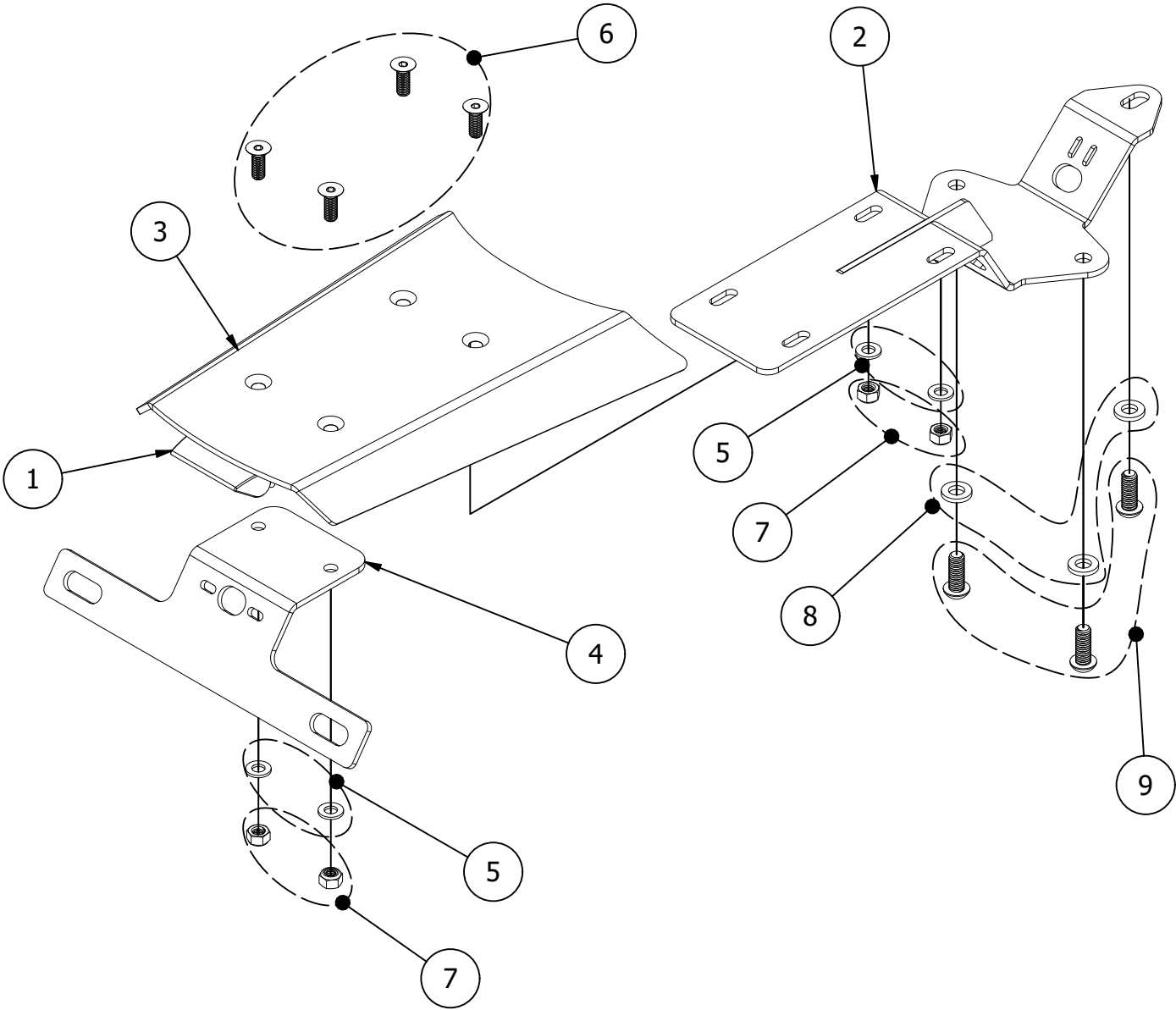


# LAND District License Plate Bracket



ITEM	PART NUMBER	DESCRIPTION	QTY
1	180103-D01-0100-AA	License LED	1
2	180112-D01-0100-00	License Plate Fender Base Weldment	1
3	180101-D01-0120-SM	Liscense Plate Fender	1
4	180102-D01-0120-SM	Liscense Plate Mount	1
5	90006-05000-0P	M5 Washer	4
6	90001-05014-0P	M5 x .8 x 14 Flat Head	4
7	90011-05000-0P	M5 Nylock	4
8	90006-06000-0P	M6 Washer	3
9	90000-06016-0P	M6 x 1 x 16 Button Head	3