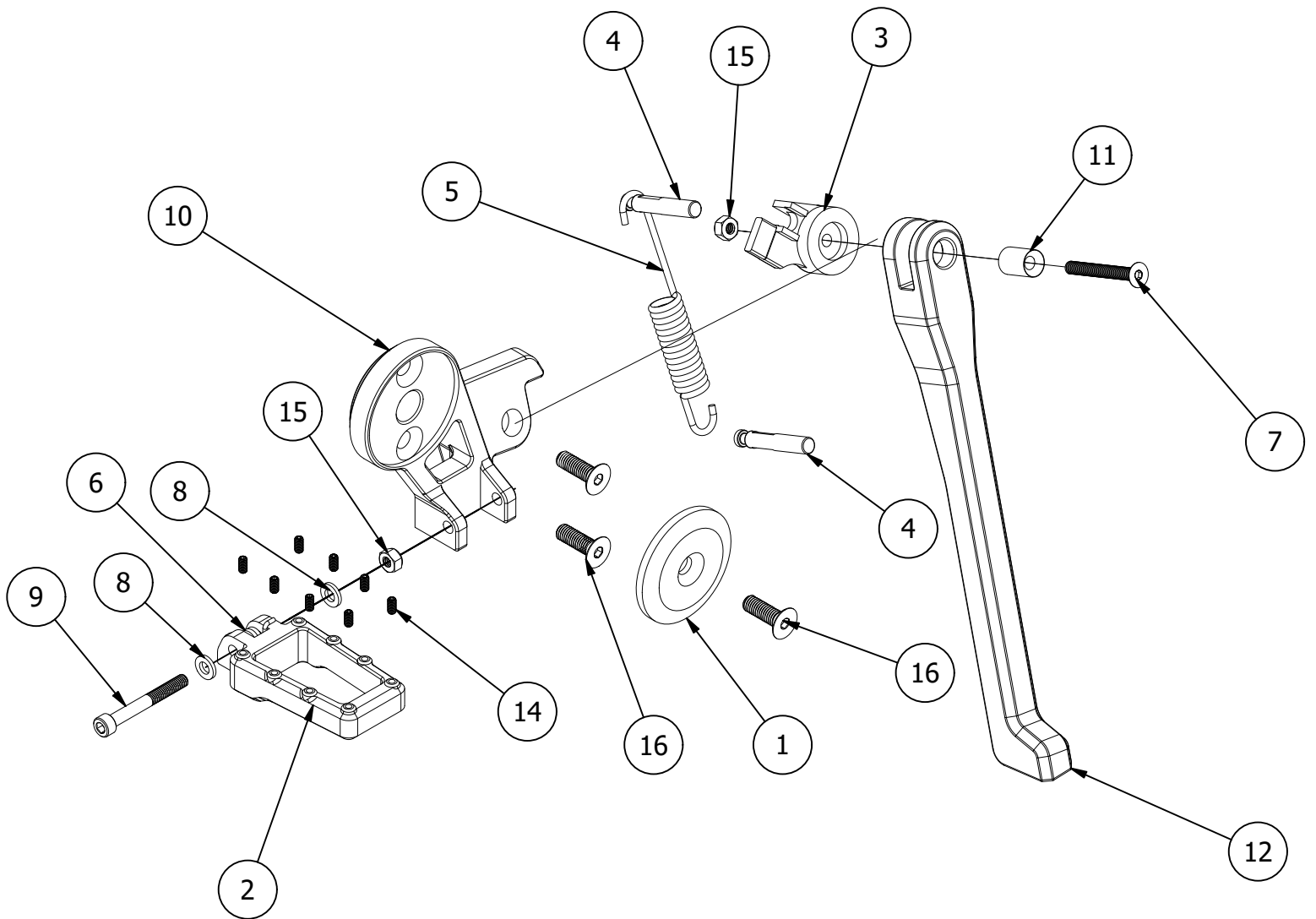


LAND District Left Peg



ITEM	PART NUMBER	DESCRIPTION	QTY
1	150101-D01-0121-CC	Peg Trim Ring	1
2	150102-D01-0120-CC	Peg	1
3	150104-D01-0100-AA	Kickstand Kill Switch	1
4	150105-D01-0141-CC	Kickstand Spring Pin	2
5	150111-D01-0100-AA	Kickstand Spring	1
6	150112-D01-0100-AA	Peg Spring Left	1
7	90001-06050-0P	M6 x 1 x 50 Flat Head	1
8	90006-06000-0P	M6 Washer	2
9	90002-06050-0P	M6 x 1 x 50 Socket Head	1
10	150103-D01-0120-CC	Peg Mount Kickstand Left	1
11	150113-D01-0100-CC	Kickstand Sleeve	1
12	150106-D01-0120-CC	Kickstand Arm Long	1
12	150107-D01-0120-CC	Kickstand Arm Short	0
14	90004-04008-0S	M4 x .7 x 8 Set Screw	8
15	90011-06000-0P	M6 Nylock	2
16	90001-08025-0P	M8 x 1.25 x 25 Flat Head	3