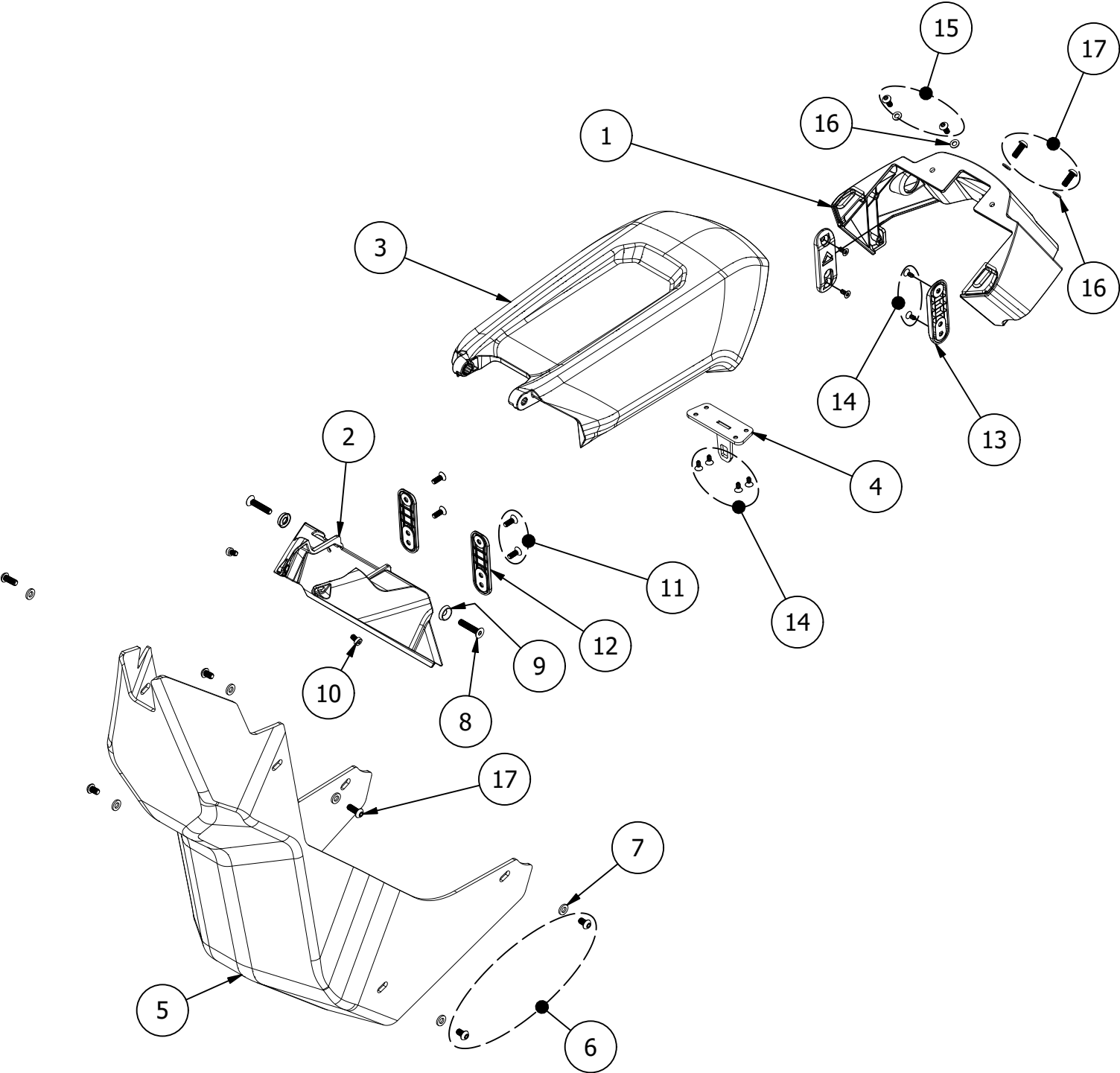


# LAND District Bodywork



ITEM	PART NUMBER	DESCRIPTION	QTY
1	240101-D01-0102-IJ	Latch Base	1
2	240102-D01-0102-IJ	Hinge Base	1
3	240103-D01-0102-IJ	Lid	1
4	240107-D01-0100-00	Lid Latch	1
5	240109-D01-0102-VC	Belly Pan	1
6	90000-06010-0P	M6 x 1 x 10 Button Head	4
7	90006-06000-0P	M6 Washer	6
8	90001-06030-0P	M6 x 1 x 30 Flat head	2
9	90008-06000-00	M6 Countersunk Aluminum Washer	2
10	90003-05008-0P	Alloy Steel Low-Profile Socket Head Screw	2
11	90001-05014-0P	M5 x .8 x 14 Flat Head	4
12	240111-D01-0152-00	Battery Bumper Front And Back	2
13	240112-D01-0152-00	Battery Bumper Left and Right	2
14	90005-04010-0T	M4 x 1.8 x 10 Thread Forming Flat Head	8
15	90000-05012-0P	M5 x .8 x 12 Button Head	2
16	90006-05000-0P	M5 Washer	4
17	90000-06016-0P	M6 x 1 x 16 Button Head	4