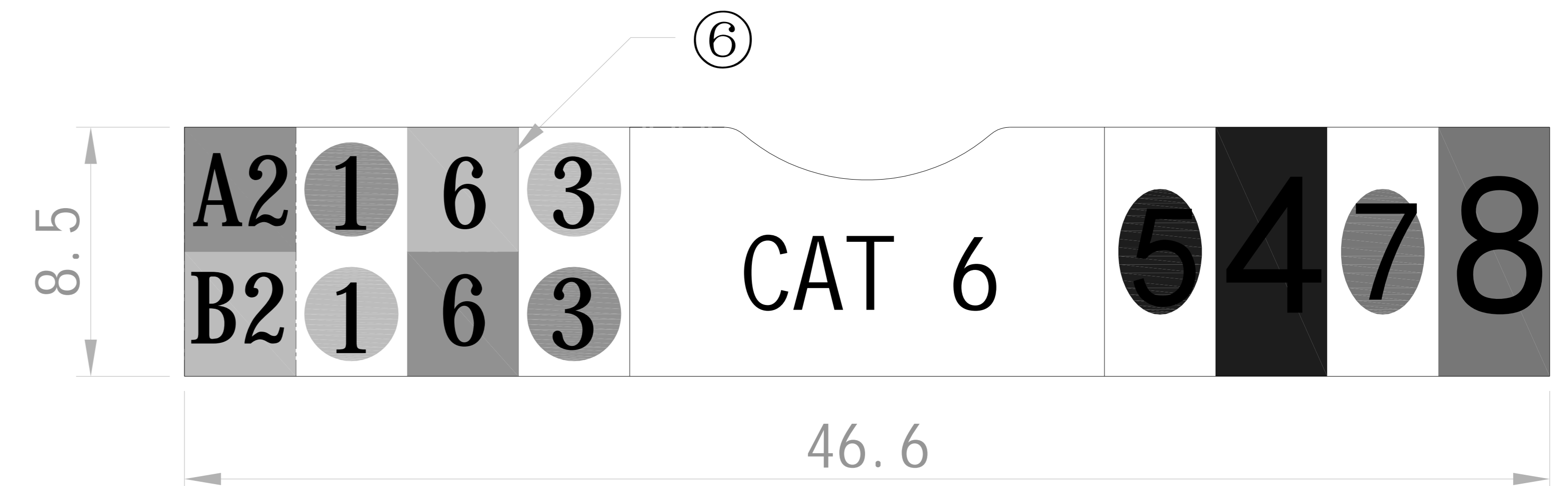
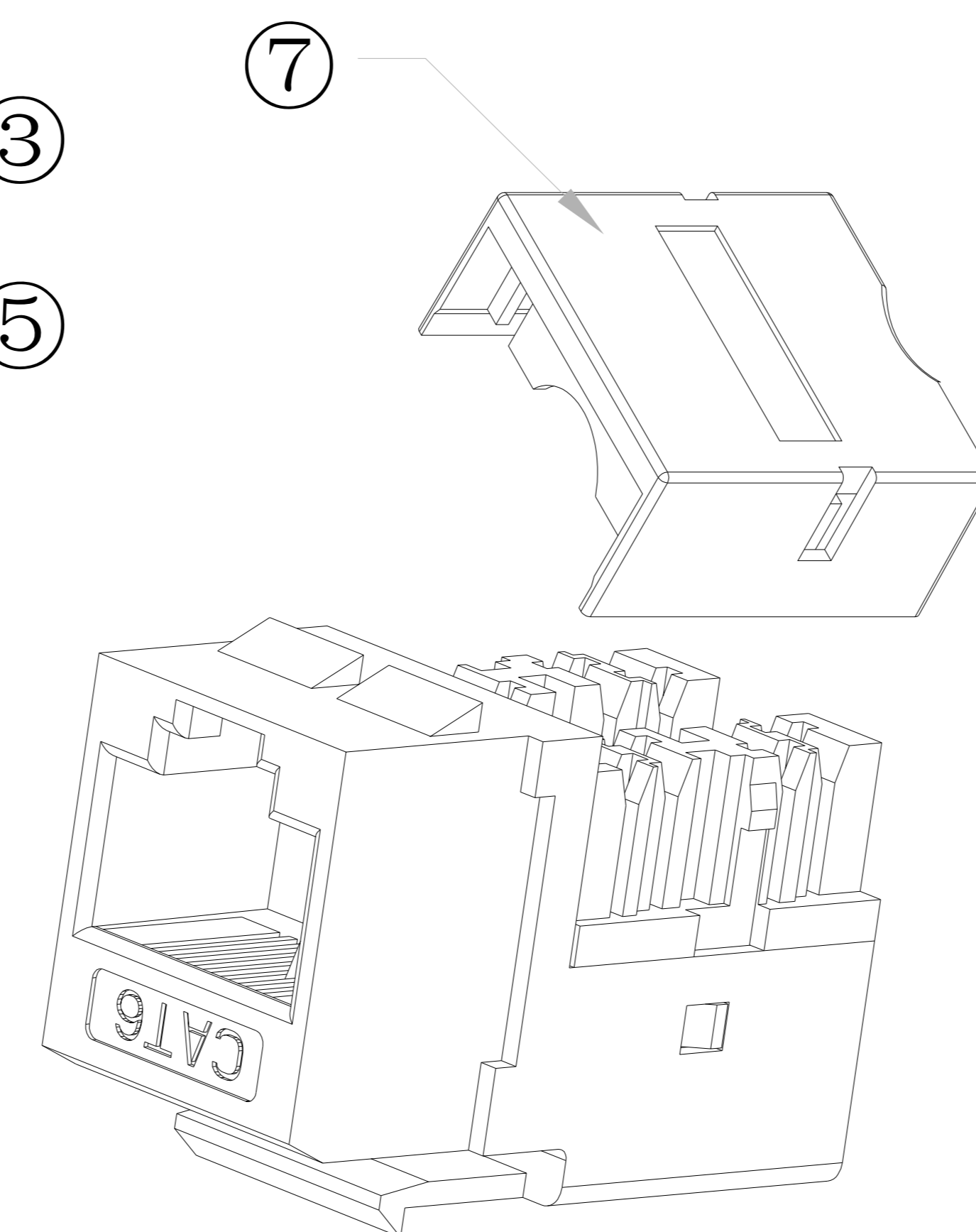
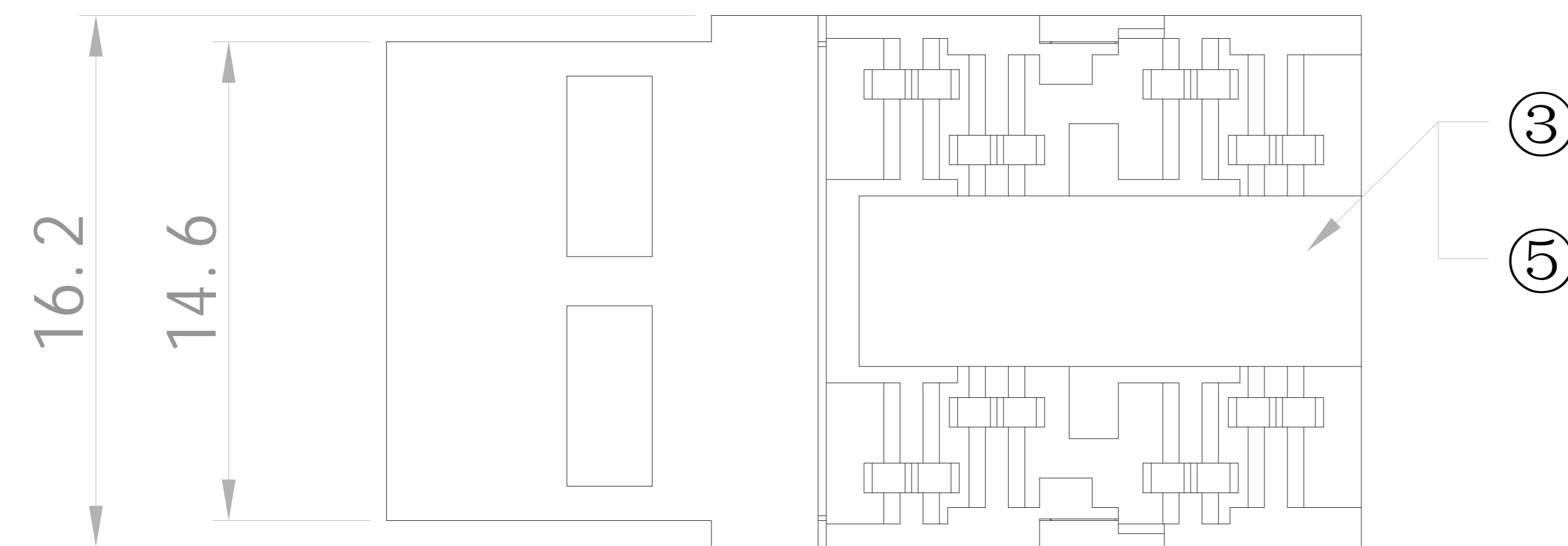
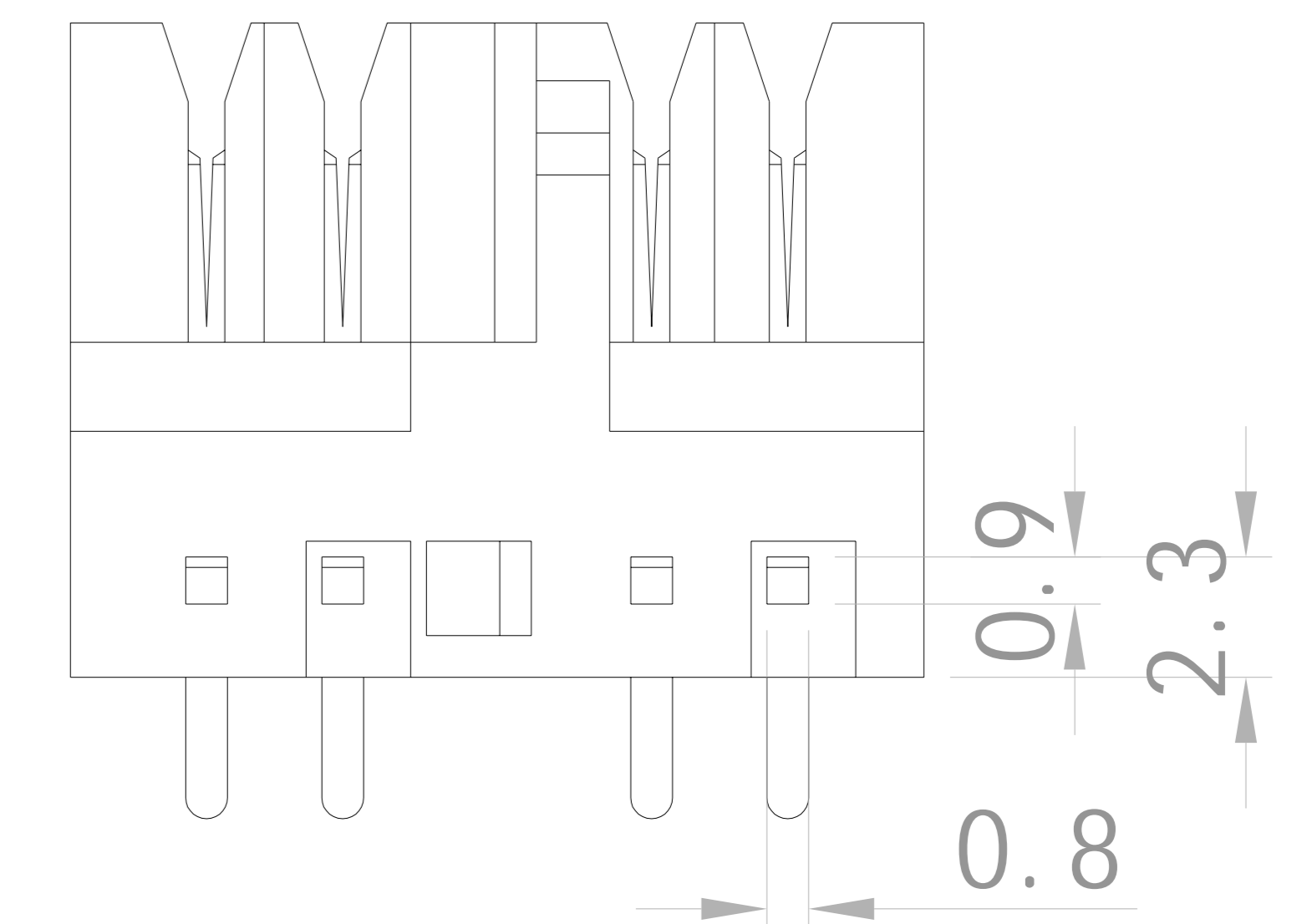
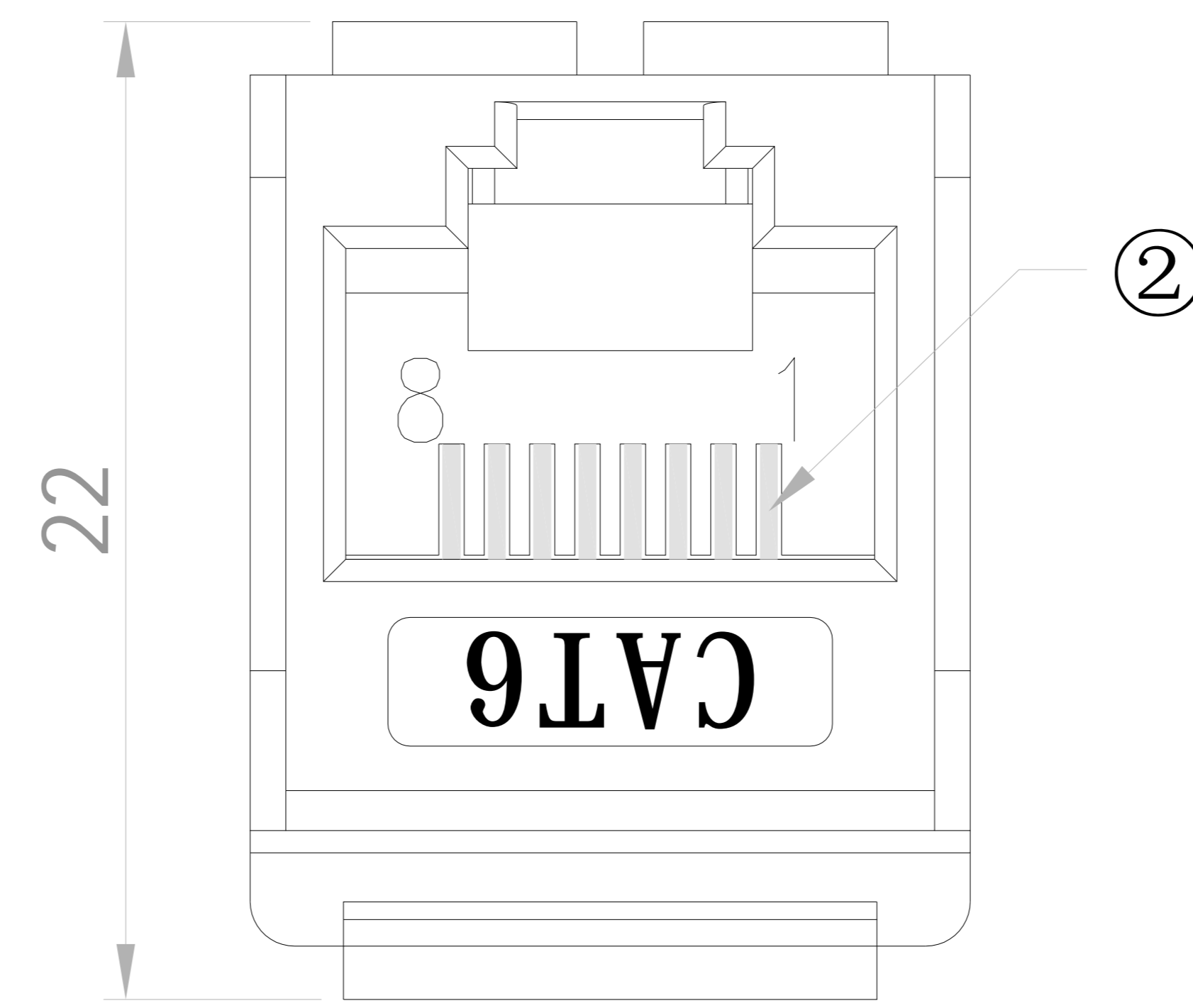
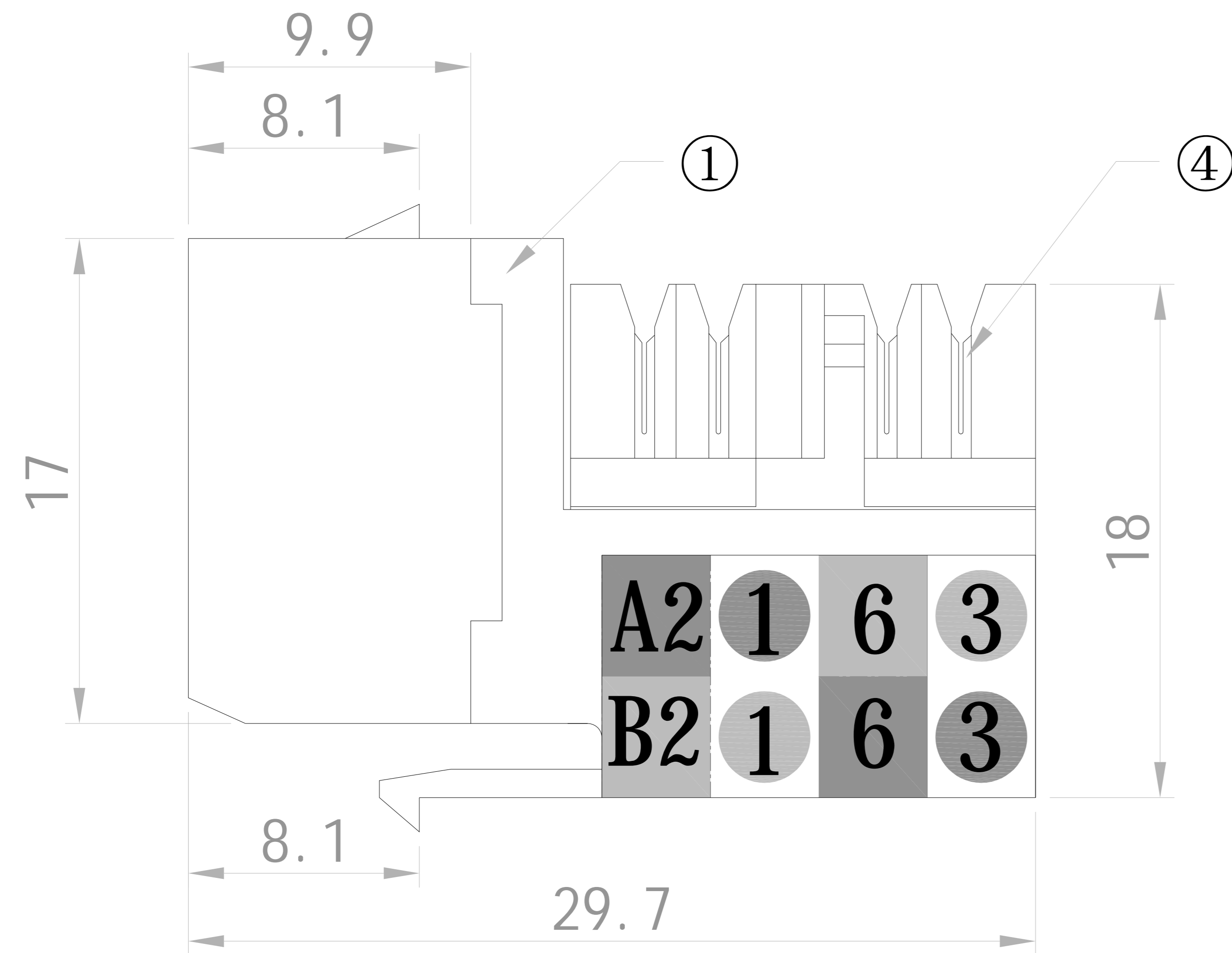


188NE3.692.001



| | | | | | |
|------|----------------|--------------------|-----|-----------------------|-----------------------|
| 7 | 188NE8.080.000 | Terminal cover | 1 | ABS | No lettering |
| 6 | 188NE8.817.001 | Color mark paper | 1 | Coated paper | |
| 5 | 188NE7.820.001 | PCB | 1 | FR-4 t=1.2 | Double-sided blue oil |
| 4 | 188NE7.742.000 | Card wire terminal | 8 | Phosphor bronze t=0.8 | Tinned antimony |
| 3 | 188NE8.072.000 | Terminal Block | 1 | PC/ABS | |
| 2 | 23NE6.620.002 | Ferrule assembly | 1 | PBT | |
| 1 | 188NE8.075.001 | Shell | 1 | ABS | |
| Item | Drawing | Name | Qty | Material | Note |

skills requirement:

1. The parts and components are installed correctly and in place;
2. Refer to the plastic inspection card for product surface inspection;
3. Dimensions without tolerances shall be in accordance with SJ/T 10628-1995 Grade 5;
4. The assembly is good, and there should be no falling off or obvious looseness;
5. The product complies with TIA 568A/B wiring and CAT 6 standards;
6. The product meets ROHS requirements.

| | | | | |
|--|--|----------------|--|----------------|
| | | network module | | 188NE3.692.001 |
| | | KJ6E-WH | | |
| | | | | |
| | | | | |
| | | | | |