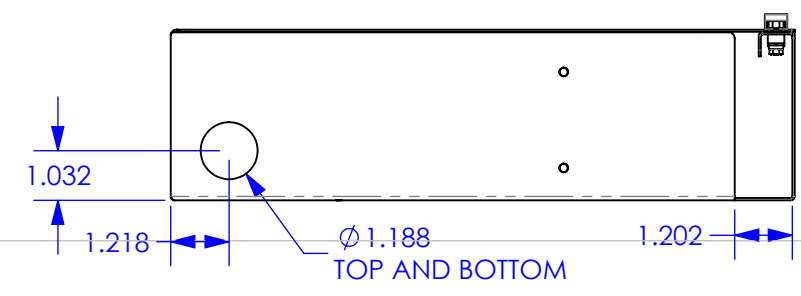
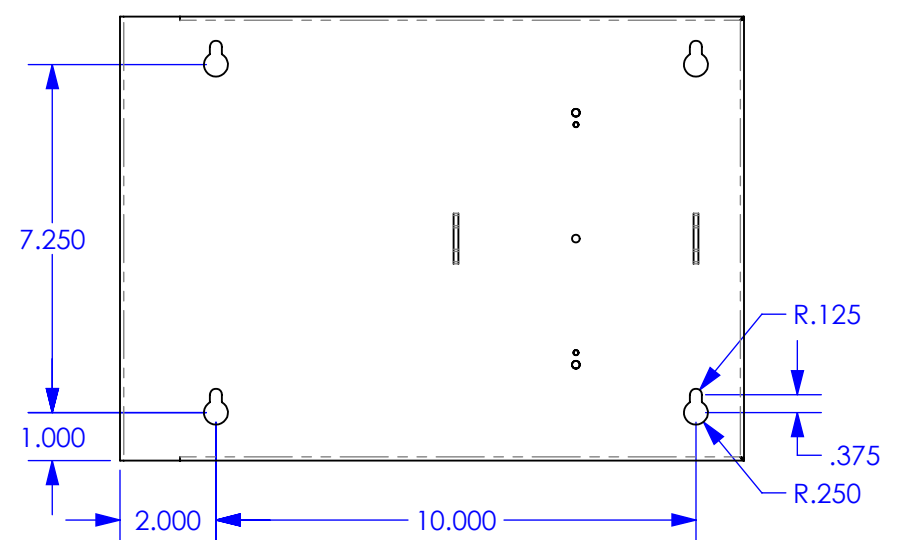
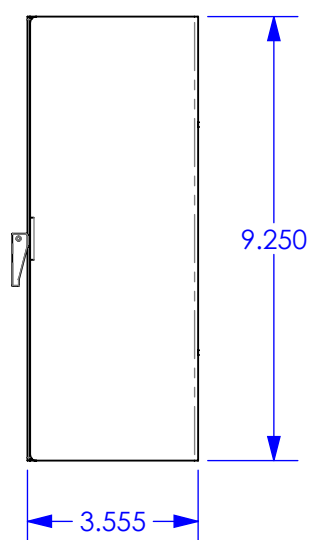
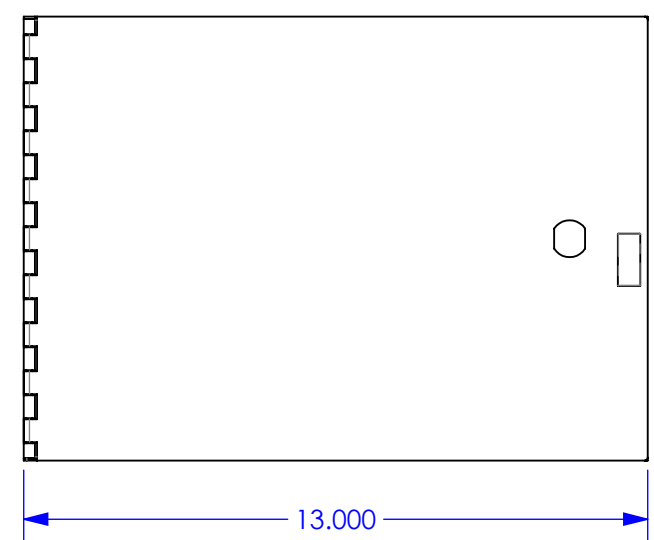
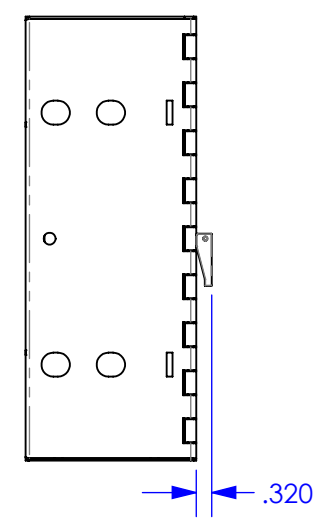
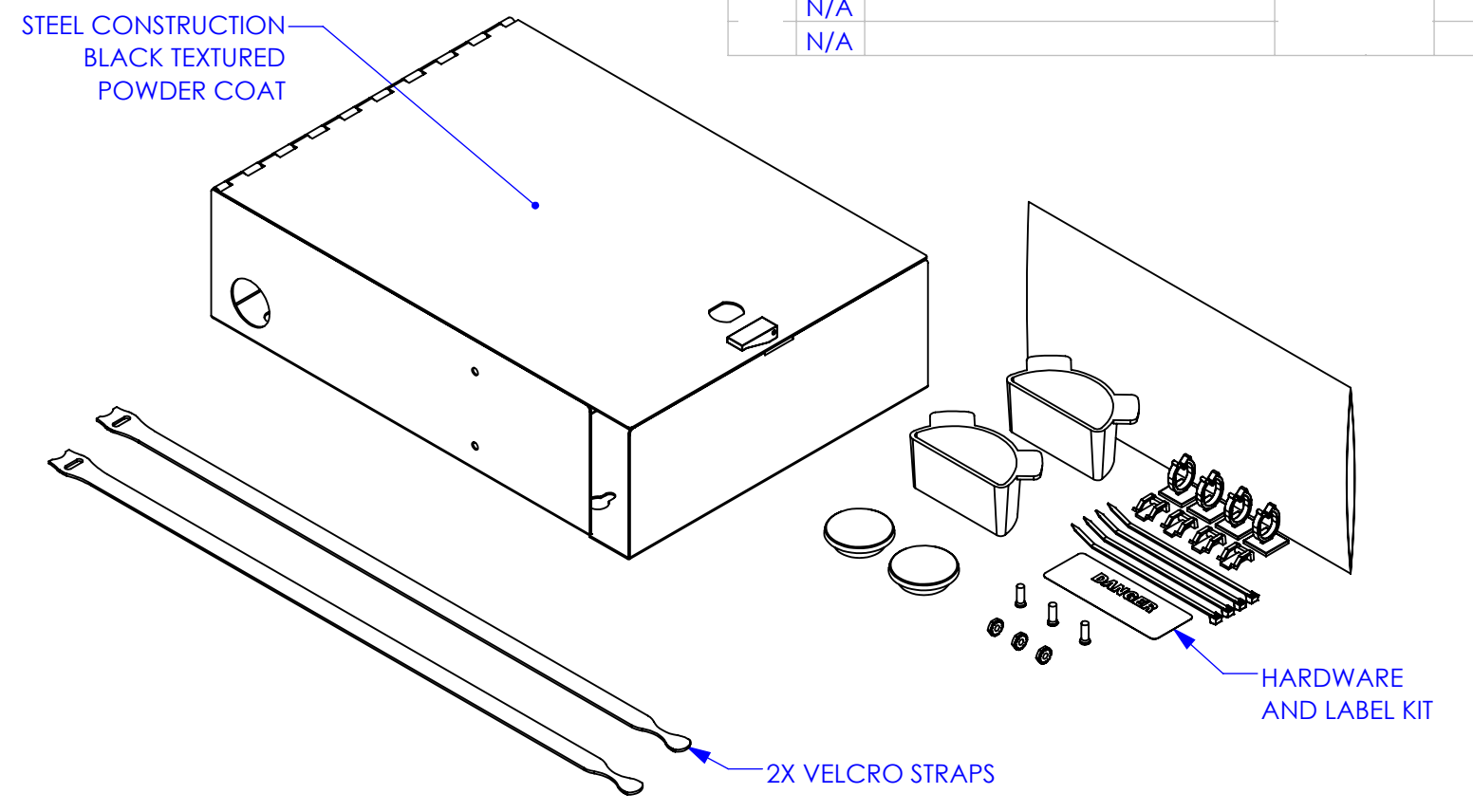
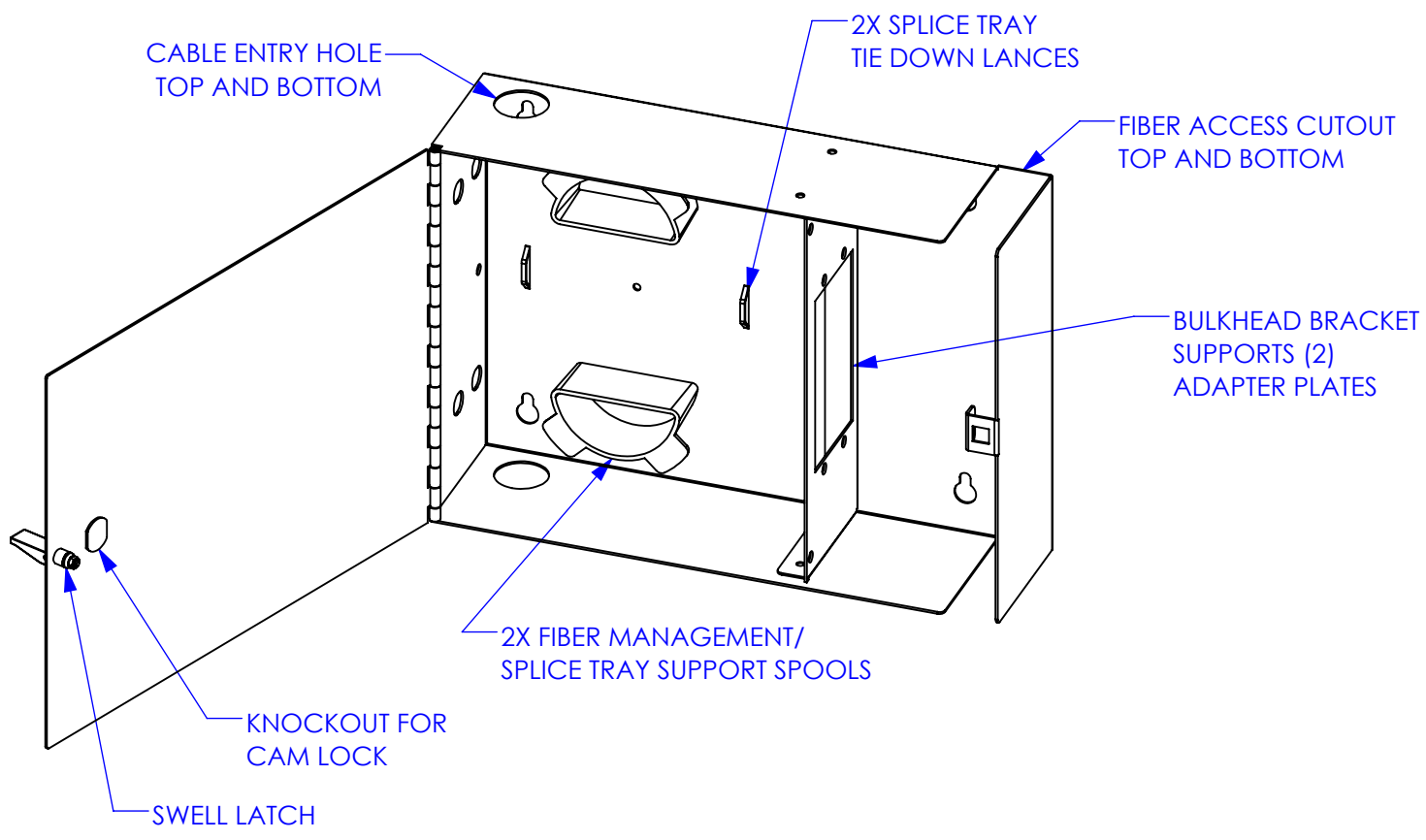


			<b>10-7944REF</b>		
REV.	ECN #	DESCRIPTION OF CHANGE	DATE	BY	MFG ENG
	N/A				
	N/A				



UNLESS OTHERWISE SPECIFIED DIMENSIONS ARE IN INCHES TOLERANCES ARE:  
 FRACTIONS: DECIMALS: ANGLES:  
 ± 1/32 .XX ± .03 ± 1°  
 .XXX ± .010

ALL FLATS TO BE ± .005

**NO SHARP EDGES OR BURRS ALLOWED**

MATERIAL: SEE B.O.M.  
 FINISH: BLACK TEXTURED

DO NOT SCALE DRAWING

**12PWMFP**

DRAWN BY: DATE:  
 CHECKED: DATE:  
 MFG ENG: DATE:  
 QUALITY ENG: DATE: